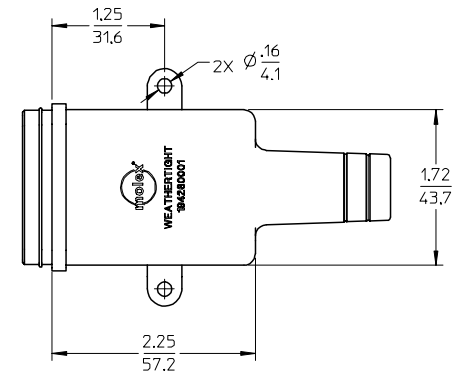
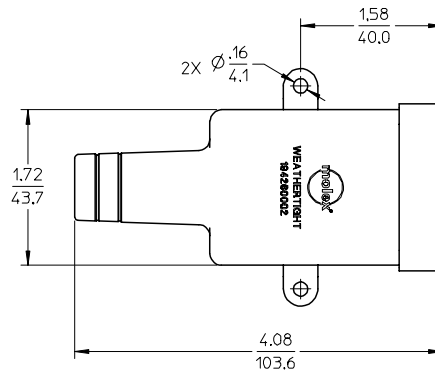
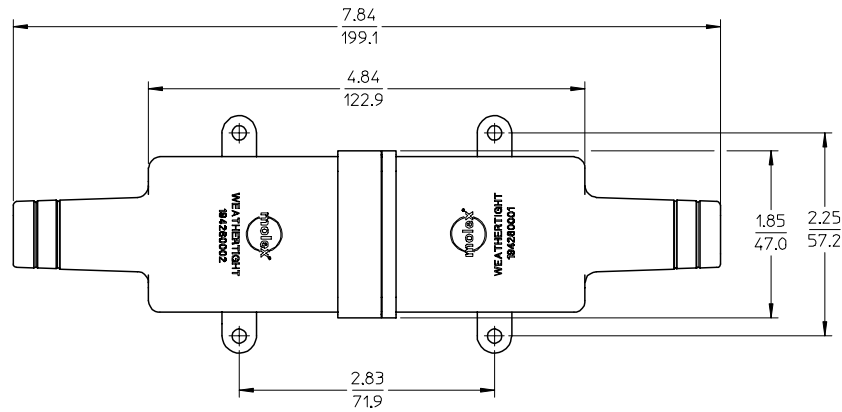
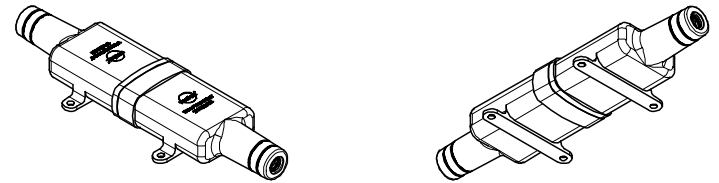
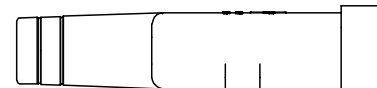
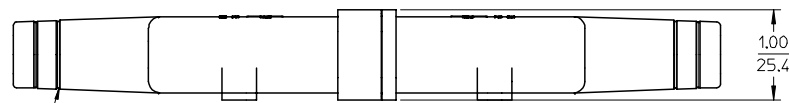


J
I
H
G
F
E
D
C
B
A

J
I
H
G
F
E
D
C
B
A



ASSEMBLED VIEWS



4X GROOVE PROVIDED AS CUT OFF GUIDE FOR USER WHEN USING THICK INSULATION TYPE CABLE.

194260002- FEMALE BOOT

194260001- MALE BOOT

NOTES:

1. MATERIAL: THERMOPLASTIC ELASTOMER. COLOR: BLACK. UV RESISTANCE: UL "F1".
2. PARTS ARE PACKAGED 15 EACH PER CARTON.

EC NO: ETC2004-0150 DRWN: DMYRICK 2004/01/21 CHKD: JPAWLICK 2004/01/21 APPR: RDEROSS 2004/01/21	QUALITY SYMBOLS	GENERAL TOLERANCES (UNLESS SPECIFIED)	SCALE 1:1	DESIGN UNITS INCH	THIRD ANGLE PROJECTION	REVISE ON CAD ONLY															
	▽ -0 ◻ -0	<table border="1"> <tr> <th></th> <th>mm</th> <th>INCH</th> </tr> <tr> <td>4 PLACES</td> <td>± ---</td> <td>± ---</td> </tr> <tr> <td>3 PLACES</td> <td>± ---</td> <td>± ---</td> </tr> <tr> <td>2 PLACES</td> <td>± ---</td> <td>± .025</td> </tr> <tr> <td>1 PLACE</td> <td>± 0.64</td> <td>± ---</td> </tr> </table>		mm	INCH	4 PLACES	± ---	± ---	3 PLACES	± ---	± ---	2 PLACES	± ---	± .025	1 PLACE	± 0.64	± ---	DIMENSION STYLE IN/MM		TITLE WEATHER-TIGHT MALE/FEMALE BOOT, 16-12 AWG, SC POWER CONNECTOR	
			mm	INCH																	
	4 PLACES	± ---	± ---																		
3 PLACES	± ---	± ---																			
2 PLACES	± ---	± .025																			
1 PLACE	± 0.64	± ---																			
DRAFT WHERE APPLICABLE MUST REMAIN WITHIN DIMENSIONS		DRAWN BY DATE DMYRICK 04/01/06 CHECKED BY DATE JPAWLICK 04/01/06 APPROVED BY DATE RDEROSS 04/01/06	MOLEX INCORPORATED MATERIAL NO. SEE DRAWING DOCUMENT NO. SD-19426-001 SHEET NO. 1 OF 1																		
THIS DRAWING CONTAINS INFORMATION THAT IS PROPRIETARY TO MOLEX INCORPORATED AND SHOULD NOT BE USED WITHOUT WRITTEN PERMISSION																					