

SUMMARY

Wires

Low	8
High	0
Coax	0
Triax	0
Quad	0
Fiber	0
Fluidic	0



Image is for illustrative purpose only

Download

[Request a quote](#)

[Catalog](#)

Series	1M
Termination type	Male print PCB
IP rating	68
Cable Ø	0.00 - 0.00 mm
Matching parts	FMT.1M.308.XLM
Status	
Alternative part	

TECHNICAL DETAILS

Mechanics

Shell Style/Model	HE*: Fixed receptacle, nut fixing for printed circuit, watertight
Keying	
Housing Material	Environment friendly aluminium (nickel plated, anthracite color) shell and nut, other pieces bronze/brass
Cable Fixing	∅ 0 - 0 mm
Variant	P : Watertight

Performance

Configuration	1M.308 : 8 Low Voltage
Insulator	
Rated Current	5.0 Amps

Specifications

Contact Type: Print (straight)
Max. Matings: 5000
Contact Dia.: 0.7 mm (0.028in)
R (max): 6.1 mOhm
Test voltage (kV rms) Contact-contact: 1.3

Test voltage (kV rms) Contact-shell: 1.1

Others

Humidity (max): $\leq 95\%$ [at 60 deg C / 140 F]

Vibration: 15 g [10 Hz - 2000 Hz]

Shock Resistance: 100 g [6 ms]

Operating temperature: -20°C / $+80^{\circ}\text{C}$

Climatical Category: 15/200/21 (Al. shell)

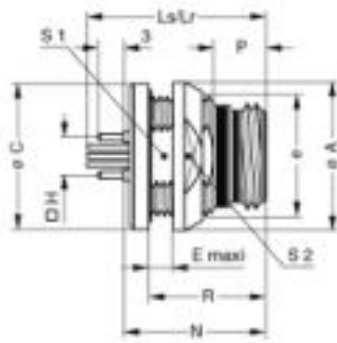
Lighting strike EIA 364-75 10K amps - 6 times

EMI Shielding EIA 364-66A - 1Ghz-80 dB,3GHz-70 dB,6GHz- 58dB

IP Rating: 68

DRAWINGS

Draws



Dimensions

	A	C	E	H	Lr	Ls	N	P	R	S1	S2	e
mm.	18	17.8	5	7.62	21	20.8	16.8	5.3	13.8	12.5	16	M14x1.00
in.	0,71	0,70	0,20	0,30	0,83	0,82	0,66	0,21	0,54	0,49	0,63	

RECOMMENDED BY LEMO

Tools

Spanner wrench: DCM.65.000.4PA

Cables