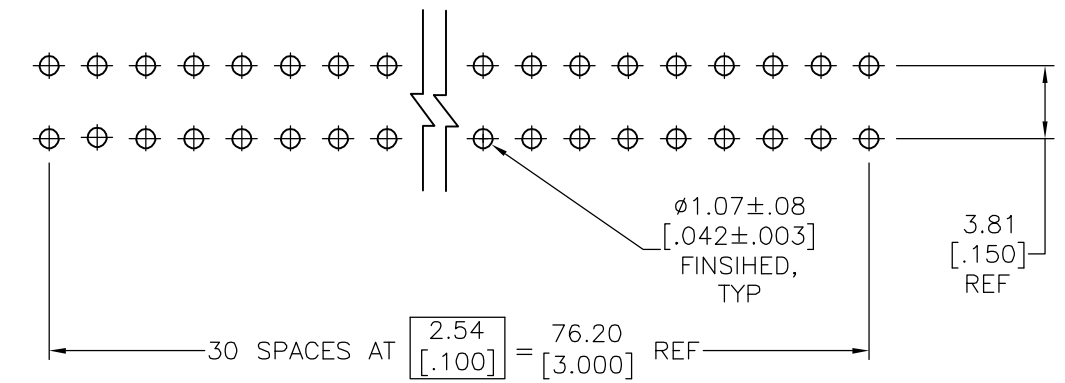


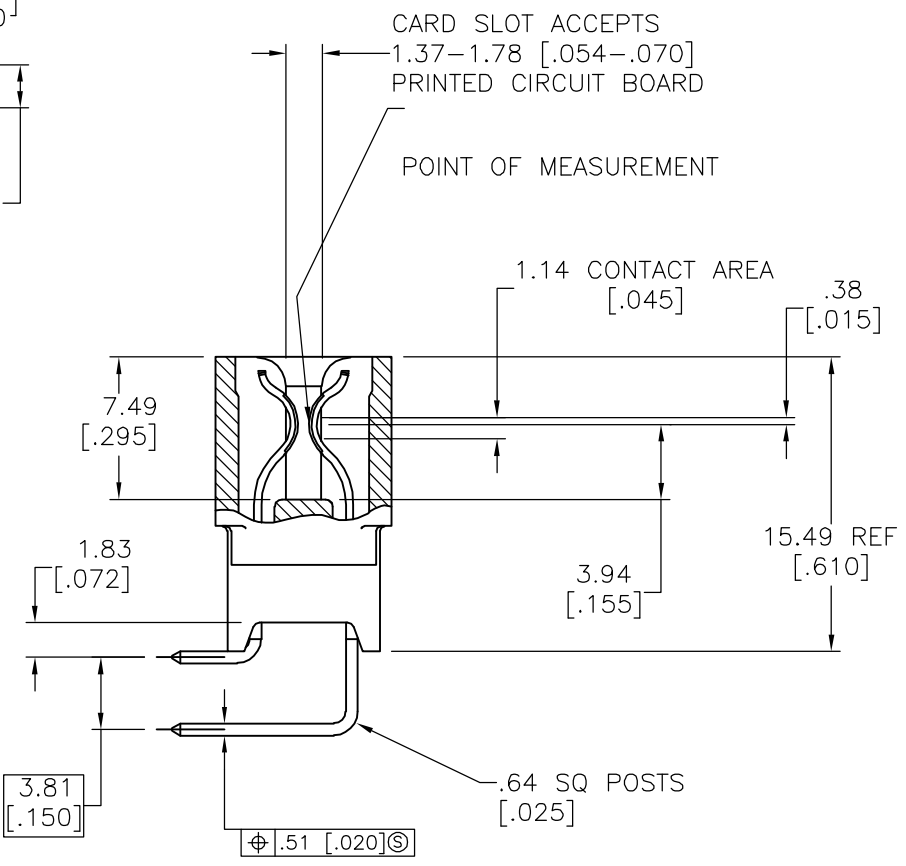
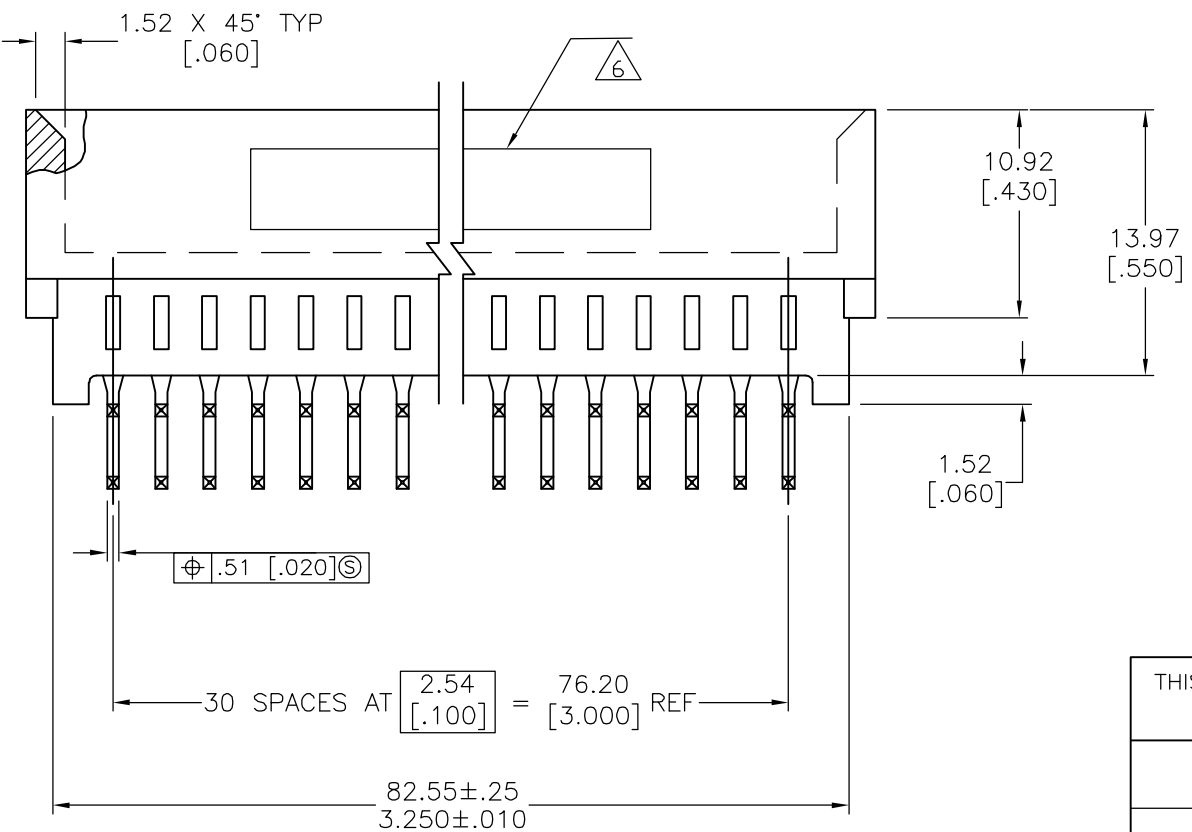
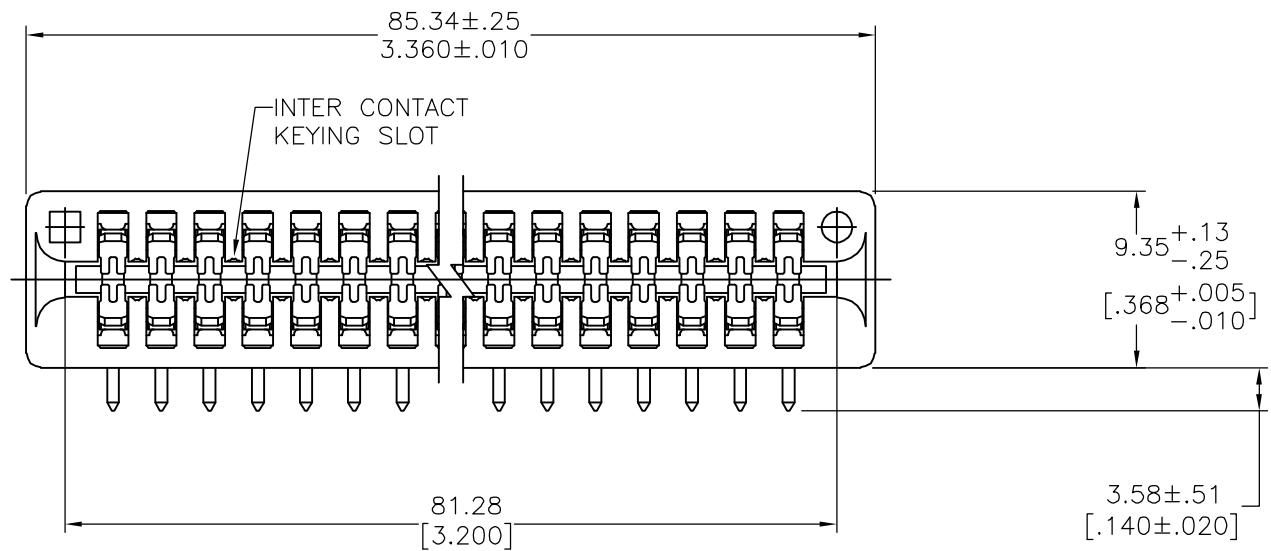
THIS DRAWING IS UNPUBLISHED. RELEASED FOR PUBLICATION
 © COPYRIGHT BY TYCO ELECTRONICS CORPORATION. ALL RIGHTS RESERVED.

LOC	DIST	REVISIONS			
P	LTR	DESCRIPTION	DATE	DWN	APVD
GP	00	A	REVISED PER EC 0S12-0285-04	27AUG04	AWF AWF

- 1 HOUSING: GLASS FILLED POLYESTER, COLOR: BLACK
- 2 CONTACT: HIGH CONDUCTIVITY COPPER
- 3 NICKEL UNDERPLATE .00127 [.000050] MIN ALL OVER
- 4 TIN PLATE: .00254 [.000100] MIN ON SOLDER POSTS
- 5 GOLD PLATE .00038 [.000015] MIN IN CONTACT AREA
- 6 TYCO PART NUMBER AND DATE CODE ARE MARKED IN APPROXIMATE AREA SHOWN, EITHER SIDE



RECOMMENDED PCB HOLE LAYOUT



NONE	31	1659222-1
KEY LOCATION	NO. OF POSNS	PART NUMBER

THIS DRAWING IS A CONTROLLED DOCUMENT.		DWN S. BURKHOLDER 16 DEC 02	Tyco Electronics Corporation Harrisburg, PA 17105-3608		
DIMENSIONS: INCHES		CHK A. FRANTUM 16 DEC 02			
TOLERANCES UNLESS OTHERWISE SPECIFIED:		APVD A. FRANTUM 16 DEC 02	NAME		
0 PLC ± -		PRODUCT SPEC	CONNECTOR ASSEMBLY		
1 PLC ± -		APPLICATION SPEC	HIGH CURRENT CARD EDGE		
2 PLC ± .14 [.005]		WEIGHT -	SIZE A3	CAGE CODE 00779	DRAWING NO C-1658222
3 PLC ± -		FINISH	RESTRICTED TO		
4 PLC ± -			CUSTOMER DRAWING		
ANGLES ± 1	1 2	SCALE 5:1 SHEET 1 OF 1 REV A			