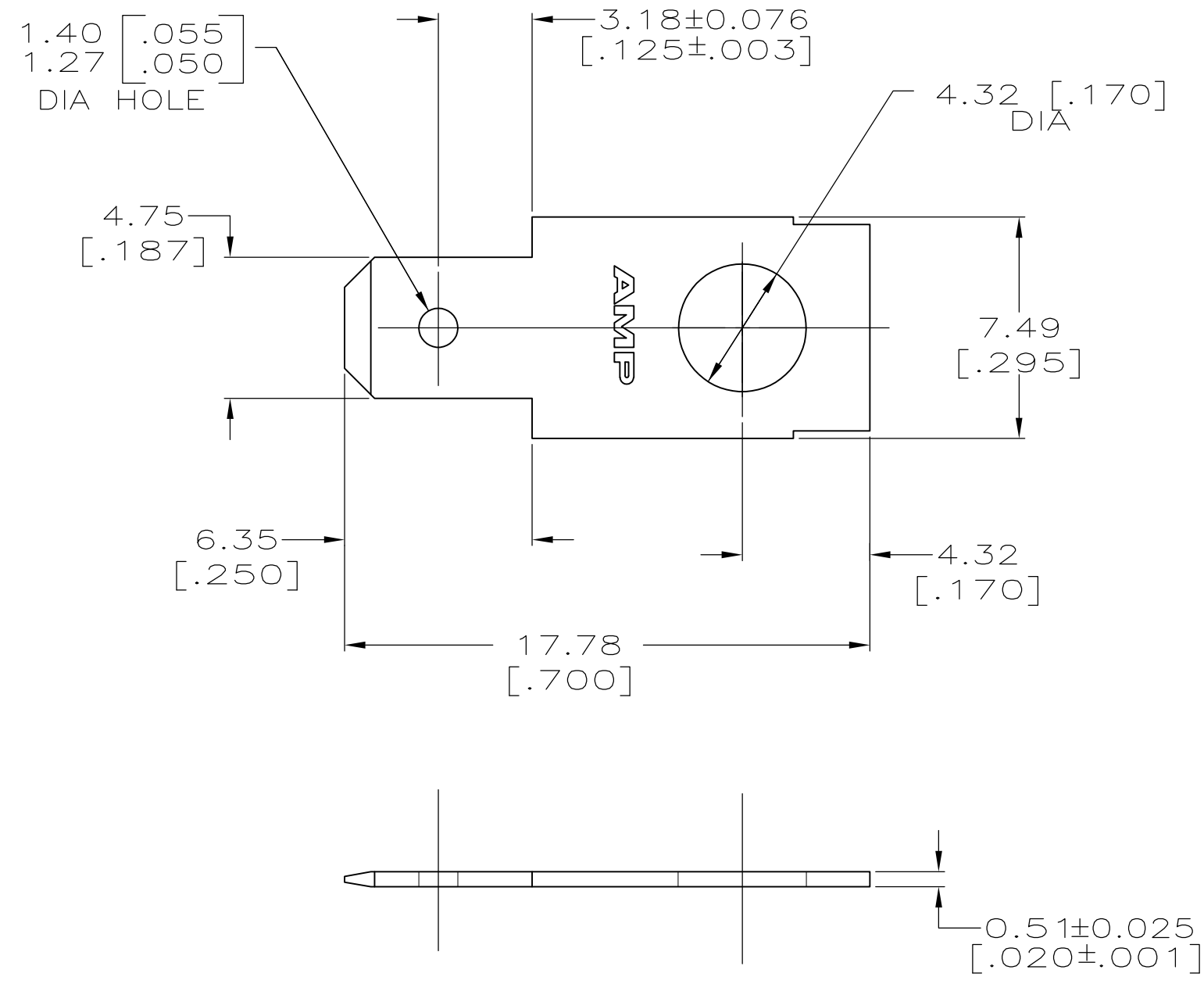


THIS DRAWING IS UNPUBLISHED. RELEASED FOR PUBLICATION
 © COPYRIGHT BY TYCO ELECTRONICS CORPORATION. ALL INTERNATIONAL RIGHTS RESERVED.

LOC	DIST	REVISIONS			
P	LTR	DESCRIPTION	DATE	DWN	APVD
AF	50	F	REVISED PER ECR-10-004058	08JUN10	HMR PD

1 SUPPLIED IN LOOSE PIECE.



1217724-1
 PART NO.

THIS DRAWING IS A CONTROLLED DOCUMENT.		DWN JR RUTH 01OCT01	Tyco Electronics Corporation Harrisburg, PA 17105-3608		
DIMENSIONS: mm [INCHES]		CHK MS FEHER 01OCT01	NAME		
TOLERANCES UNLESS OTHERWISE SPECIFIED:		APVD N DEIBERT 01OCT01	TAB, FASTON, .187 SERIES		
<ul style="list-style-type: none"> 0 PLC ± - 1 PLC ± - 2 PLC ± 0.38 [.015] 3 PLC ± - 4 PLC ± - ANGLES ± - 		PRODUCT SPEC -	APPLICATION SPEC -	SIZE A3	CAGE CODE 00779
MATERIAL 082 BRASS	FINISH TIN	WEIGHT -	DRAWING NO C-1217724	RESTRICTED TO -	
CUSTOMER DRAWING			SCALE 5:1	SHEET 1 OF 1	REV F