



PRODUCT DATASHEET

Stradella series

last update 31/1/2017

DETAILS

Product Number	C15437_STRADELLA-CY
Family	Stradella
Type	Lens array
Color	clear
Diameter	13,9+13,9 mm
Height	4,73 mm
Style	rectang
Optic Material	PMMA
Holder Material	
Fastening	
Status	production ready
ROHS Compliant	Yes
Date Updated	31/01/2017



OPTICAL PROPERTIES

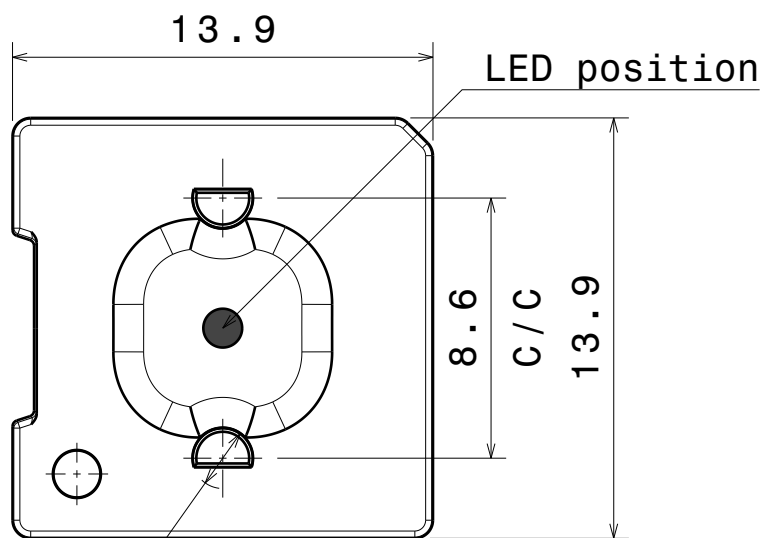
LED	Viewing Angle	Light Beam	Efficiency	cd/lm	Connector
XT-E	115 deg	Wide-Area...	94 %	0.320	-

D

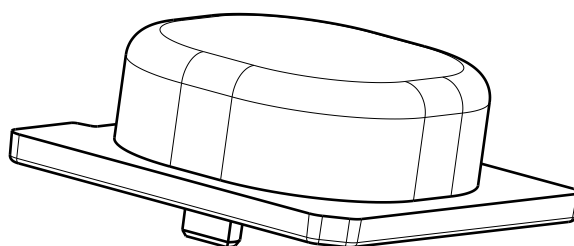
C

B

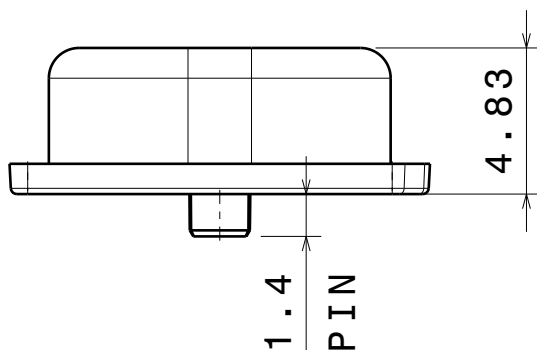
A



Front view
Scale: 4:1



Isometric view
Scale: 4:1



Top view
Scale: 4:1

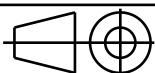
INDEX	PART NO	DESCRIPTION	MATERIAL	COLOUR
1	C15437	STRADELLA-CY	PMMA	Clear

Tolerances if not otherwise shown
According to DIN ISO 2768-1
Linear measures:
Up to 30mm class M, otherwise class C.
According to DIN ISO 2768-2
Form and position: class L

LEDiL

Ledil Oy
Salorankatu 10
FIN 24240 SALO
Finland

THIRD ANGLE PROJECTION:



DRAWING TITLE

Datasheet_STRADELLA-CY

This drawing is the property
of LEDiL Oy. It may not be
reproduced, copied or
communicated without a written
agreement with LEDiL Oy.

SIZE PART NUMBER

A4

C15437

SCALE 4:1 WEIGHT

g

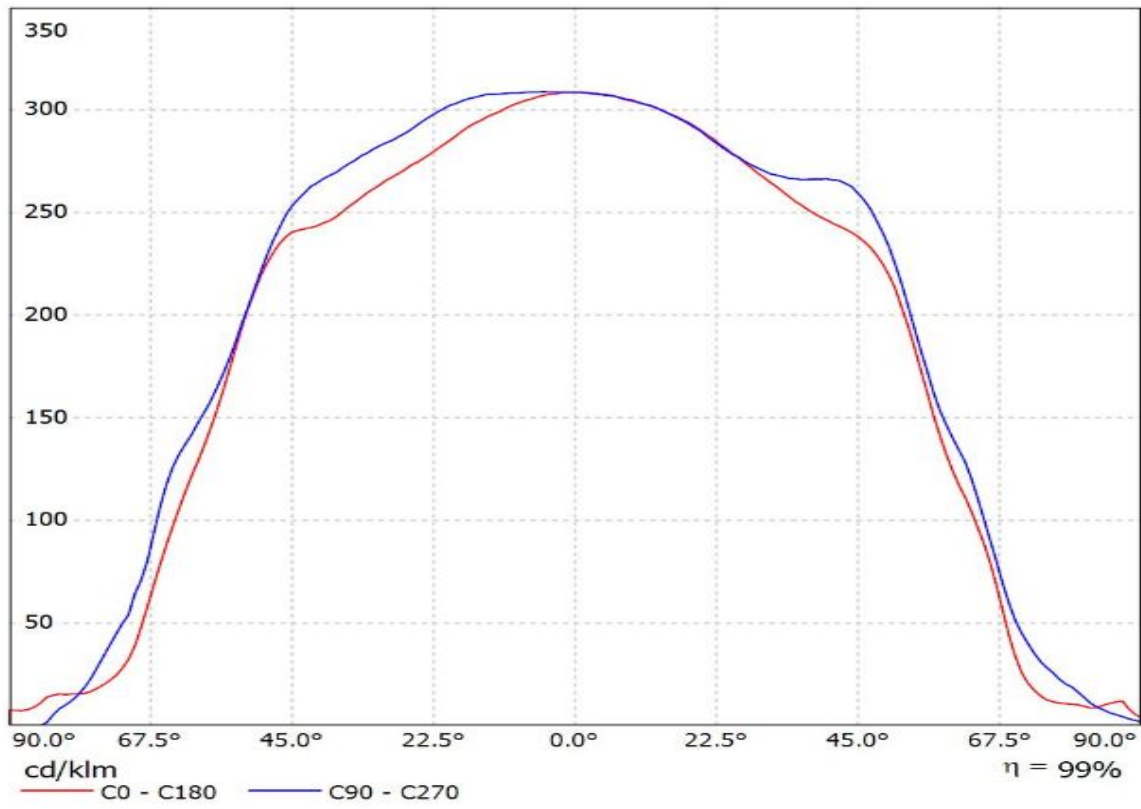
SHEET 1/1

D

A

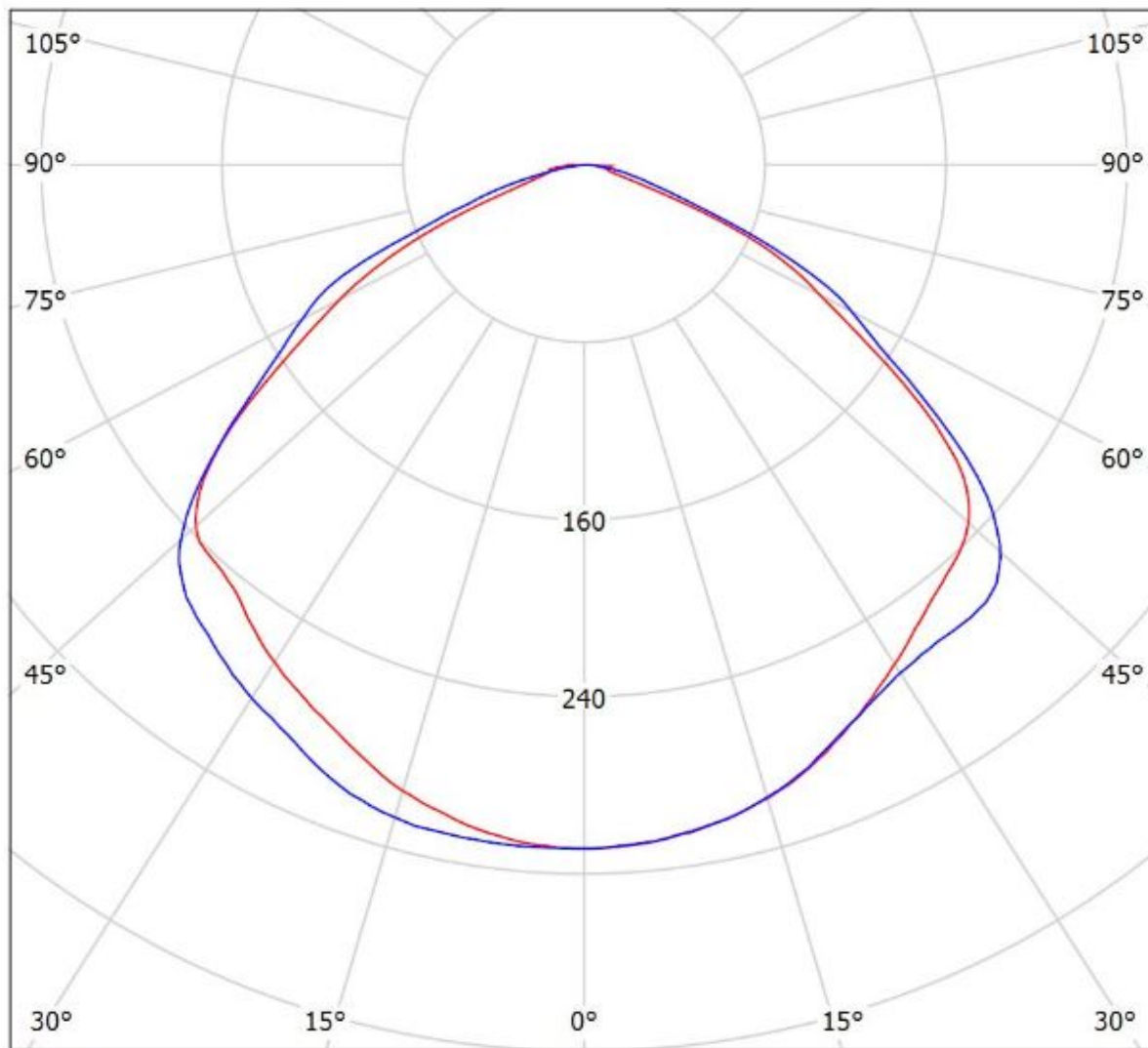
Luminaire: Ledil C15437_STRADELLA-CY_(XT-E)_C03

Lamps: 1 x Cree_XT-E_(XTEAWT-00-0000-00000HBE8)_76.4349lm@250mA_CCT=2811K_P=0.790575W_I=0.25A



Luminaire: Ledil C15437_STRADELLA-CY_(XT-E)_C03

Lamps: 1 x Cree_XT-E_(XTEAWT-00-0000-00000HBE8)_76.4349lm@250mA_CCT=2811K_P=0.790575W_I=0.25A



cd/klm

— C0 - C180

— C90 - C270

$\eta = 99\%$

NOTE: The typical divergence will be changed by different color, chip size and chip position tolerance. The typical total divergence is the full angle measured where the luminous intensity is half of the peak value.