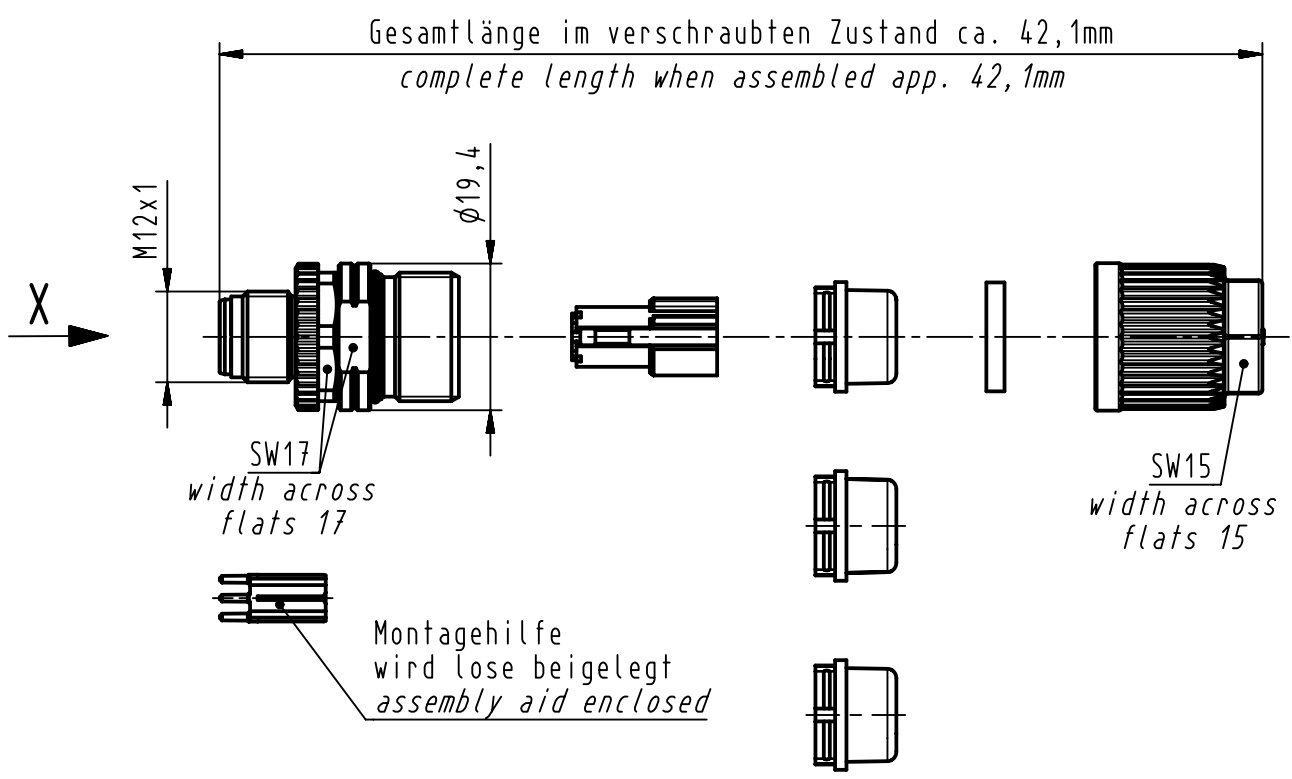
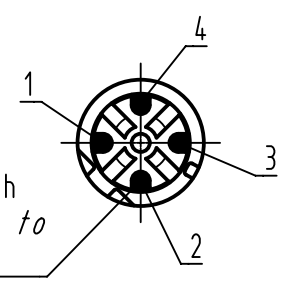


1 2 3 4 5 6

Spannung/voltage: 250V a.c/d.c  
 Strom/current: 4A/40°C  
 Betriebstemperatur: -40°C - +85°C  
 working temperature:

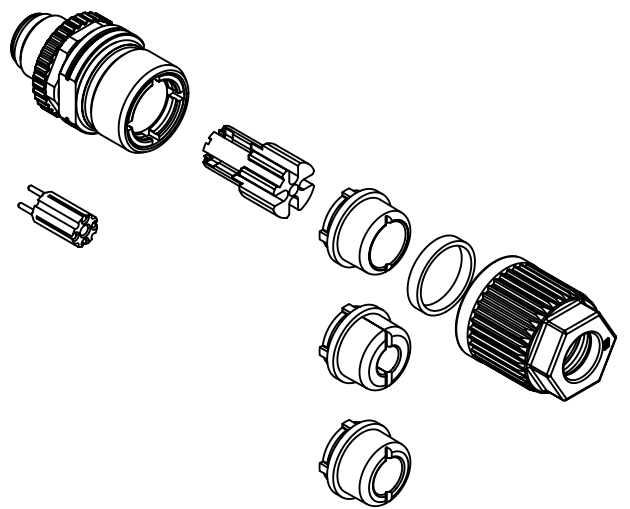


X (2:1)



Steckgesicht nach  
 contact face acc. to  
 IEC 61076-2-101

Crimpkontakte separat bestellen  
 order contacts separately



Kabelø / cableø			Leiterquerschnitt wire gauge	Bestell-Nr. part-no.
5,5-7,2mm	4,5-5,4mm	7,0-8,8mm	AWG 26-22	09 67 000 5576
Dichtung / sealing			AWG 24-20	09 67 000 8576
schwarz/black	transparent	beige	AWG 22-18	09 67 000 3576

	All Dimensions in mm Original Size DIN A4		Scale 1:1		Free size tol.		Ref. Sub. TB 21 03 882 1405 v. 11.11.11 EC04038		
	All rights reserved		Created by BUSSMANT	Inspected by GENAU	Standardisation KOHLER	Date 2012-10-09	State Final Release		
Department EC PD - DE		Title Circular Connector M12 crimp male D-code						Doc-Key / ECM-Nr. 100225462/UGD/002/F 500000055781	
HARTING Electronics GmbH D-32339 Espelkamp		Type TB	Number 21038821405			Rev. F	Page 1/1		