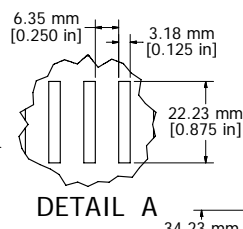
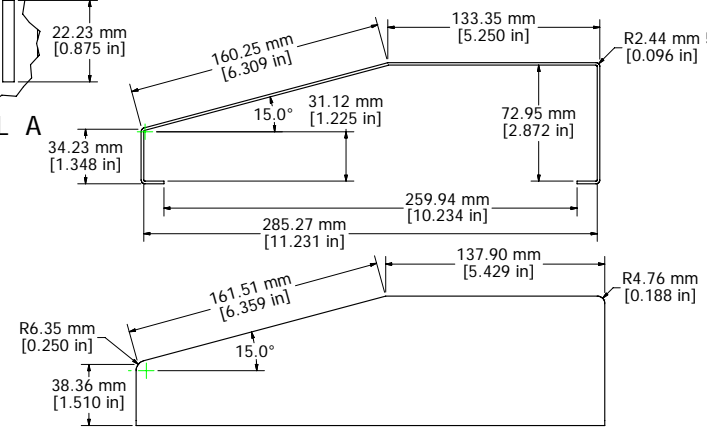


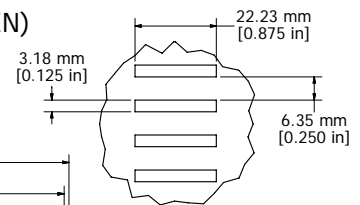
ASSEMBLY - REAR VIEW (OPEN)



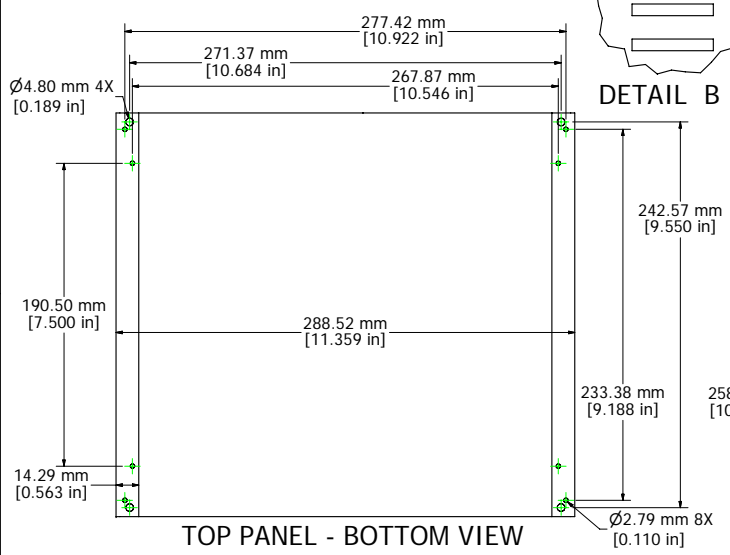
DETAIL A



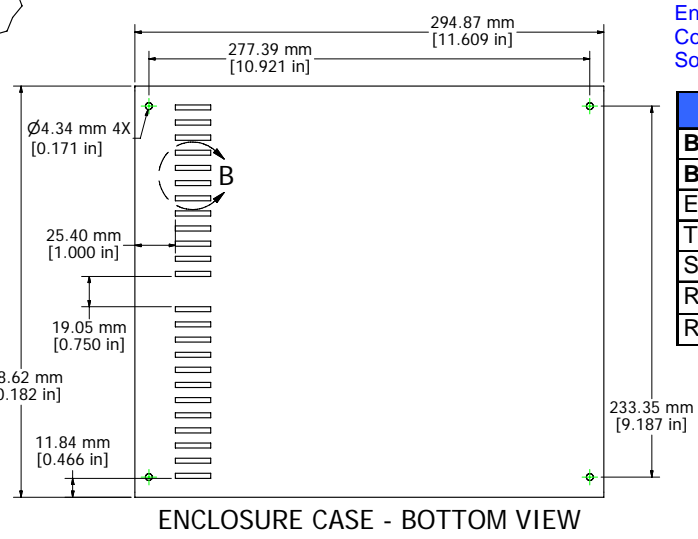
ASSEMBLY - SIDE VIEW (OPEN)



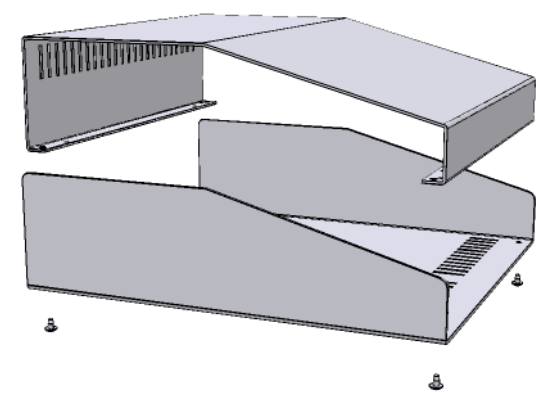
DETAIL B



TOP PANEL - BOTTOM VIEW



ENCLOSURE CASE - BOTTOM VIEW



Enclosures can be Factory Modified ( Milling, Drilling, Printing etc. )  
 Contact Factory [mjm@hammondmfg.com](mailto:mjm@hammondmfg.com) for quotes  
 Solid models of this enclosure available in STEP or IGES.

|   |
|---|
| <b>1456KL3</b>                                |
| <b>Beige Top, Blue Case - 1456KL3WHBU</b>     |
| <b>Black Top, Blue Case - 1456KL3BKBU</b>     |
| Enclosure Case - 12 ga. Aluminum              |
| Top Panel Sizes to 14" Wide - 14 ga. Aluminum |
| Self Adhesive Rubber Feet Included            |
| Reguired Hardware Included                    |
| Replacement Screws - 1421-J6 (6 pcs.)         |



**HAMMOND  
 MANUFACTURING™**

**1456KL3**

[www.hammondmfg.com](http://www.hammondmfg.com)