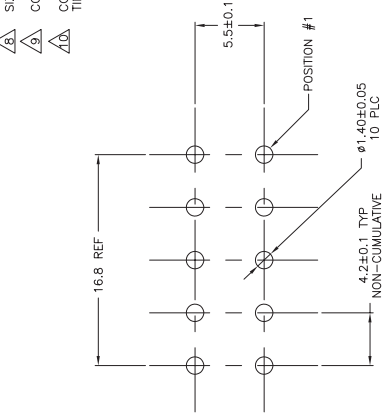


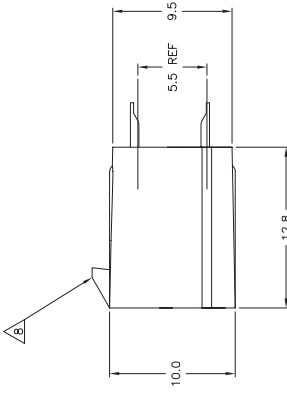
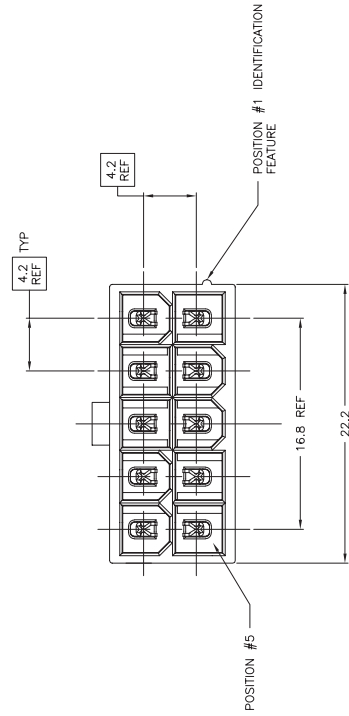
THIS DRAWING IS UNCONTROLLED.  
 BY: TOTO ELECTRONICS CORPORATION. ALL RIGHTS RESERVED.

REV	DATE	BY	CHK
1	19/11/2008	BSV	DC

- MATERIAL: NYLON, UL94V-2 (COLOR - NATURAL, COLOR OF PARTS MAY VARY).  
 CONTACTS: 0.25 THK COPPER ALLOY.
- CONTACT FINISH: 0.003 MIN THK TIN-LEAD OVER 0.00127 MIN THK NICKEL OVER ENTIRE CONTACT.
- CONTACT FINISH: 0.00076 MIN THK GOLD PLATE ON PIN MATING SURFACE, 0.003 MIN THK TIN-LEAD PLATE ON SOLDER TAIL, ALL OVER 0.00127 MIN THK NICKEL BASE PLATE.
- SOLDER TAIL MEETS AMP SOLDERABILITY SPECIFICATION 109-11-2.
- MATES WITH SIMILARLY PLATED AMP-DIAC POWER CONNECTOR RECEPTACLE HOUSINGS/SOCKET CONTACTS.
- RIBS ON FOUR CORNERS OPTIONAL.
- AMP LOGO AND MATERIAL ID MAY BE LOCATED ON EITHER LONG SIDE OF PART.
- SIZE, SHAPE OR STYLE OF THIS FEATURE MAY VARY.
- CONTACT FINISH: 0.003 MIN THK TIN OVER 0.00127 MIN THK NICKEL OVER ENTIRE CONTACT.
- CONTACT FINISH: 0.00076 MIN THK GOLD PLATE ON PIN MATING SURFACE, 0.003 MIN THK TIN PLATE ON SOLDER TAIL, ALL OVER 0.00127 MIN THK NICKEL BASE PLATE.



RECOMMENDED MOUNTING HOLE PATTERN FOR 1.78 MAX THICK P.C. BOARD COMPONENT SIDE SHOWN



1-794353-2	△1	△10	△1	△1	△1	1-794353-2
1-794353-1	△1	△9	△1	△1	△1	1-794353-1
794353-2	△1	△3	△1	△1	△1	794353-2
794353-1	△1	△1	△1	△1	△1	794353-1

MATERIAL	CONTACT	FINISH	MATERIAL	HOUSING	COLOR	PART NO
THIS DRAWING IS A CONTROLLED DOCUMENT.						
DATE	REV	BY	DATE	REV	BY	DATE
10/11/08	1	BSV	10/11/08	1	BSV	10/11/08
DESIGNED BY	CHECKED BY	DATE	DESIGNED BY	CHECKED BY	DATE	DESIGNED BY
BSV	DC	10/11/08	BSV	DC	10/11/08	BSV
TOTO ELECTRONICS CORPORATION 108-1699 APPLICATION SPEC PART NO. 794353-1 MATERIAL: NYLON SEE TABLE CUSTOMER DRAWING: A100779-794353						

