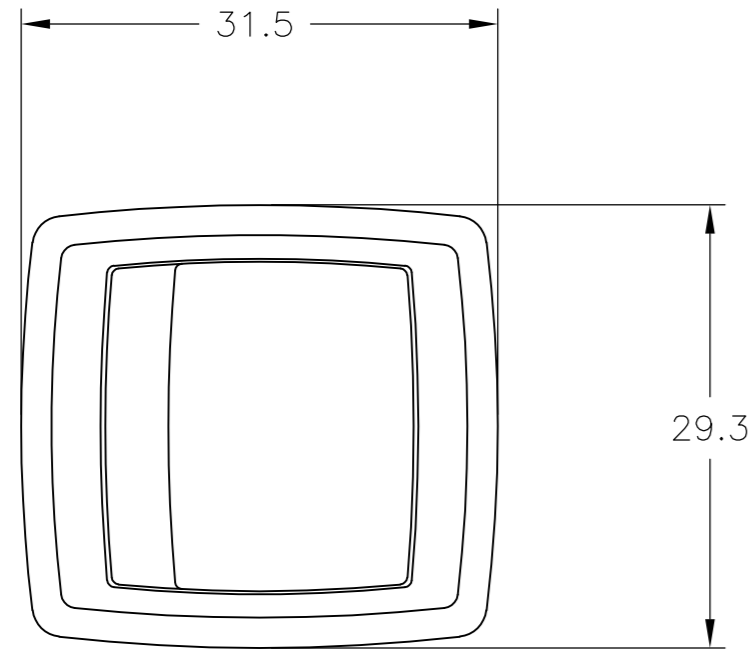
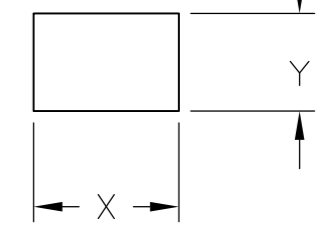


THIS DRAWING IS UNPUBLISHED. RELEASED FOR PUBLICATION  
 © COPYRIGHT BY TYCO ELECTRONICS CORPORATION. ALL INTERNATIONAL RIGHTS RESERVED.

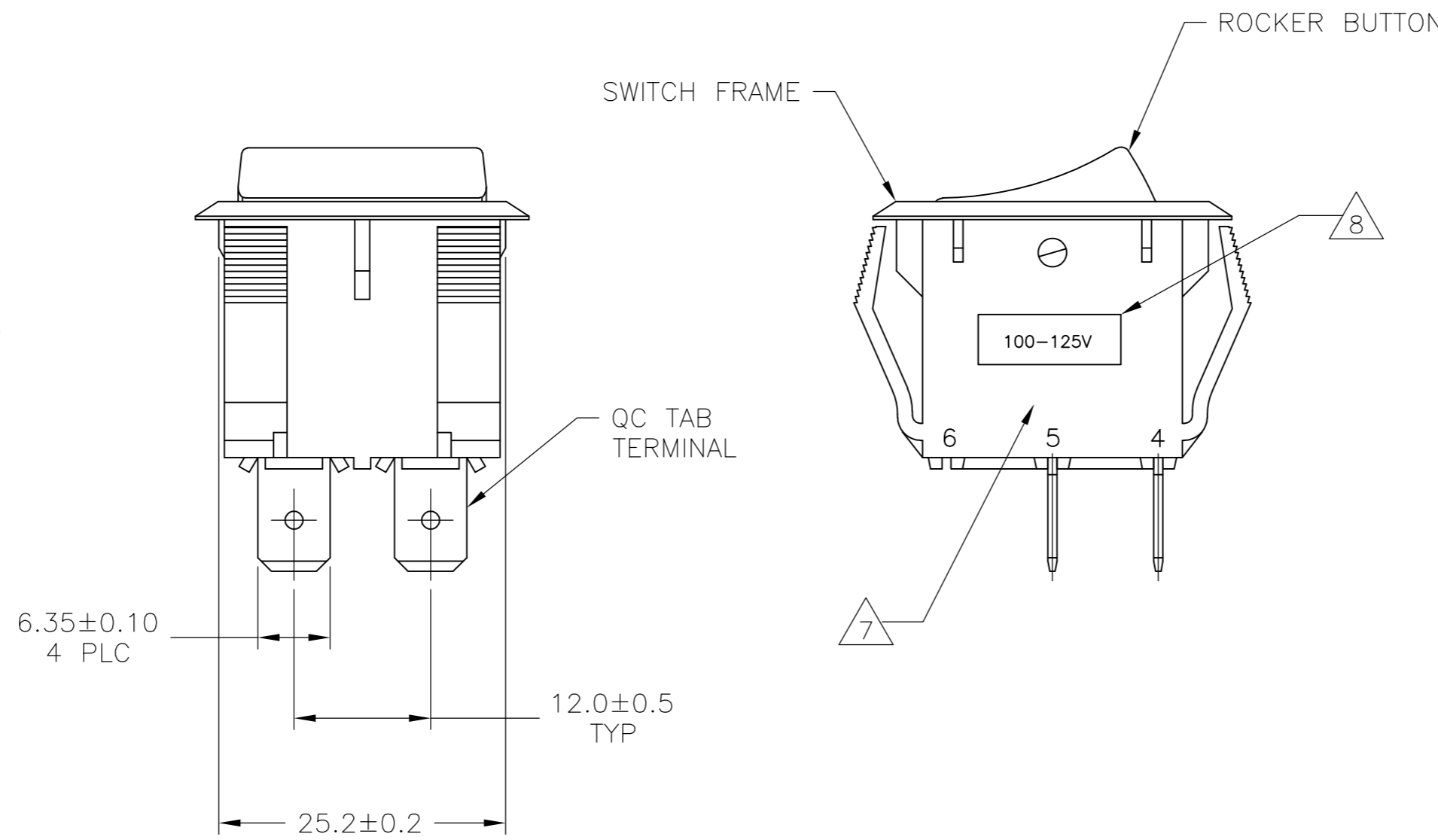
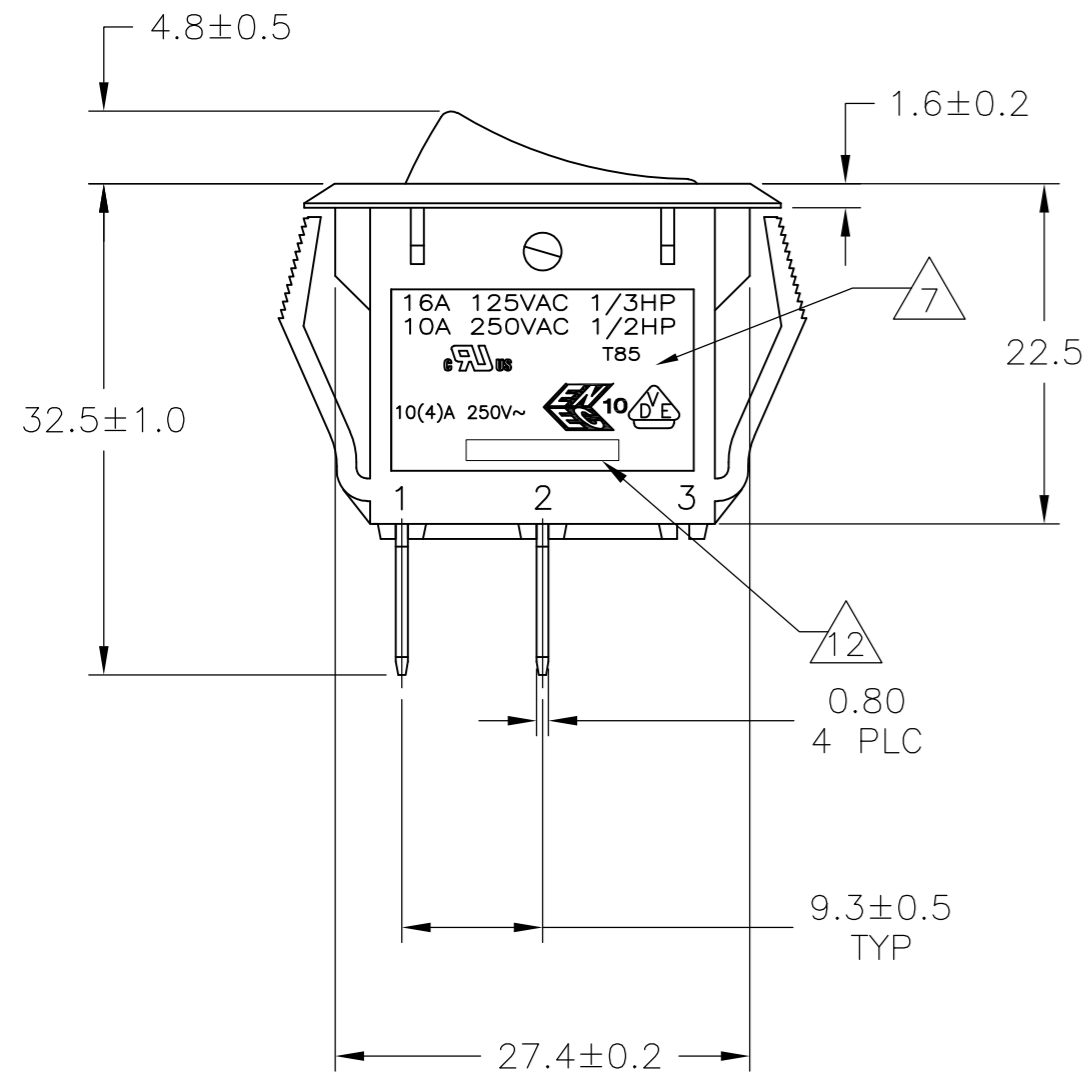
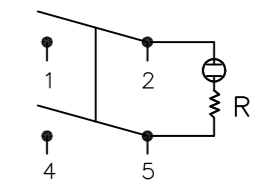
LOC		DIST		REVISIONS			
P	LTR	DESCRIPTION		DATE	DWN	APVD	
E1		REVISED PER ECO-10-005254		18MAR10	HMR	NE	

PANEL CUT OUT



5.00-6.30	28.6-0.1	25.4+0.1
3.00-5.00	28.0-0.1	25.4+0.1
0.75-3.00	27.6-0.1	25.4+0.1
PANEL THICKNESS	X	Y

SWITCH FUNCTION B1  
CIRCUIT DIAGRAM



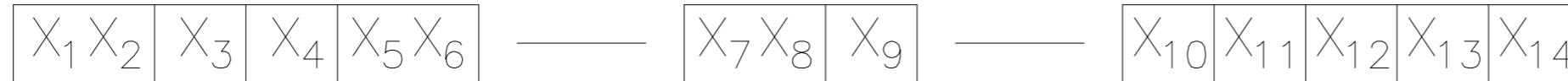
1571112-1 SHOWN

THIS DRAWING IS A CONTROLLED DOCUMENT.		DWN BSV	16APR04	Tyco Electronics Corporation Harrisburg, PA 17105-3608	
DIMENSIONS: mm		CHK J.MOSIER	APVD JP	NAME POWER ROCKER SWITCH, 25.4mm X 27.6mm PANEL CUT-OUT SIZE, DOUBLE POLE, SINGLE THROW, FOUR TERMINALS, ILLUMINATED	
TOLERANCES UNLESS OTHERWISE SPECIFIED:		PRODUCT SPEC NOT APPLICABLE		SIZE A2	
0 PLC ± -		APPLICATION SPEC NOT APPLICABLE		CAGE CODE 00779	
1 PLC ± 0.30		WEIGHT -		DRAWING NO C=1571112	
2 PLC ± 0.05		CUSTOMER DRAWING		RESTRICTED TO -	
3 PLC ± -		SCALE 2:1		SHEET 1 OF 2	
4 PLC ± -		REV E1			
ANGLES ± -					
FINISH 1 2					

THIS DRAWING IS UNPUBLISHED. RELEASED FOR PUBLICATION  
 © COPYRIGHT BY TYCO ELECTRONICS CORPORATION. ALL INTERNATIONAL RIGHTS RESERVED.

LOC	DIST	REVISIONS					
AD	00	P	LTR	DESCRIPTION	DATE	DWN	APVD
		-		SEE SHEET 1	-	-	-

LEGACY PART NUMBER



SWITCH TYPE: X1 X2 = PR - POWER ROCKER

SECONDARY ROCKER COLOR: X12 = Ø - NOT APPLICABLE

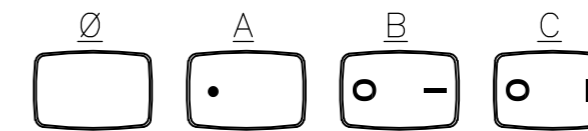
NOMINAL PANEL CUT OUT SIZE: X3 = D - 25.4x27.6

NUMBER OF POLES: X4 = D - DOUBLE

SWITCH FUNCTION: X5 X6 = B1 - ON-OFF, TRANSPARENT LAMP-ILLUMINATED  
 ROCKER BUTTON (100-125VAC LAMP VOLTAGE).

LEGEND TEXT PATTERN: X13 =

CURRENT RATING: X7 X8 = 16 - △6



TERMINAL TYPE: X9 = E - QC TAB

FRAME COLOR: X10 = B - BLACK  
W - WHITE

LEGEND TEXT COLOR: X14 = Ø - NOT APPLICABLE  
G - GREEN  
R - RED  
B - BLACK  
W - WHITE

ROCKER COLOR: X11 = C - CLEAR  
G - GREEN  
R - RED  
A - AMBER

- 1. **MATERIALS:**  
 LAMP BASE & HOUSING: NYLON 66, UL 94 V-2.  
 ROCKER BUTTON: POLYCARBONATE, UL 94 V-2.  
 TERMINAL, ACTIVE CONTACTOR: COPPER ALLOY PER ASTM B152/B152M  
 PLUNGER: COPPER ALLOY PER ASTM B036  
 SPRING: STEEL WIRE PER ASTM A228/A228M  
 CONTACT: SILVER-TIN OXIDE,  
 LAMP: GLASS-ENCLOSED NEON LAMP  
 LAMP RESISTOR: 33kΩ, 1/8W RATED (100-125V LAMP VOLTAGE)  
 150kΩ, 1/8W RATED (200-250V LAMP VOLTAGE)

- 2. **FINISH:**  
 TERMINAL, ACTIVE CONTACTOR: 1.0μm MIN SILVER  
 PLUNGER: 3.0μm MIN NICKEL

- 3. **ELECTRICAL SPECIFICATIONS:**
  - CURRENT & VOLTAGE △6
  - LAMP VOLTAGE: SWITCH FUNCTION B1 100-125 VAC
  - CONTACT RESISTANCE (INITIAL): <50mΩ
  - DIELECTRIC STRENGTH (INITIAL): >1000 VAC, 1 MINUTE
  - INSULATION RESISTANCE (INITIAL): >100MΩ MIN (500VDC BETWEEN OPEN CONTACTS)
  - INRUSH CURRENT: 50A / 3msec (CAPACITIVE LOAD)
  - ELECTRICAL LIFE ENDURANCE: >6000 OPERATIONS,
  - TEMPERATURE RISE AT TERMINALS: <30°C, 6000 OPERATIONS  
 (AMBIENT CONDITIONS: 25±2°C AND 65±5%R.H)

- 4. **MECHANICAL SPECIFICATIONS:**  
 ACTUATING FORCE: 850g MIN, 1250g MAX  
 OPERATING LIFE ENDURANCE: >100,000 OPERATIONS  
 TERMINAL STRENGTH : >10.0kg- QC TAB

- 5. **ENVIRONMENTAL SPECIFICATIONS:**  
 AMBIENT TEMPERATURE: -20°C TO +85°C  
 HUMIDITY: MAX 85%  
 SALT SPRAY: NO REMAKABLE RUST IN METAL PARTS (5% SALT / 35°C 24HRS)  
 SHOCK: NO MECHANICAL DEFECT OR DAMAGE (100g / 10MSEC/ X,Y,Z 3 TIMES)  
 VIBRATION: NO MECHANICAL DEFECT OR DAMAGE (10-55Hz / 1.5mm/ X,Y,Z 2HRS)

- 6. **UL: 16A@125VAC 1/3HP / 10A@250VAC 1/2HP  
 ENEC: 10(4)A 250V~**

- 7. **ELECTRICAL RATINGS, APPROVED AGENCY LOGOS, TERMINAL IDENTIFICATION NUMBERS AND THE TYCO/ELECTRONICS LOGO MOLDED APPROXIMATELY AS SHOWN ON THE SIDES OF THE SWITCH HOUSING**

- 8. **THE LAMP VOLTAGE RATING IS LISTED ON THE LABEL ON THE SIDE OF THE SWITCH HOUSING LOCATED APPROXIMATELY AS SHOWN.**

- 9. **COMPONENT RECOGNIZED TO US & CANADIAN STANDARDS  
 UL FILE NO E46765**

- 10. **COMPONENT-RECOGNIZED TO EUROPEAN STANDARDS  
 (ENEC & VDE) MARKS LICENSE NO 40020317**

- 11. **ROHS 2002/95/EC COMPLIANT**

- 12. **TYCO ELECTRONICS LOGO LOCATED APPROXIMATELY AS SHOWN**

PRDDB1-16F-BA000	1571112-2
PRDDB1-16F-BR000	1571112-1
LEGACY PART NUMBER	PART NUMBER

THIS DRAWING IS A CONTROLLED DOCUMENT.		DWN	16APR04	Tyco Electronics Corporation Harrisburg, PA 17105-3608	
DIMENSIONS: mm		CHK	J.MOSIER	NAME	
TOLERANCES UNLESS OTHERWISE SPECIFIED:		APVD	JP	POWER ROCKER SWITCH, 25.4mm X 27.6mm	
0 PLC ± -		PRODUCT SPEC		PANEL CUT-OUT SIZE, DOUBLE POLE, SINGLE THROW, FOUR TERMINALS, ILLUMINATED	
1 PLC ± 0.30		NOT APPLICABLE		SIZE	RESTRICTED TO
2 PLC ± 0.05		NOT APPLICABLE		CAGE CODE	
3 PLC ± -		NOT APPLICABLE		DRAWING NO	
4 PLC ± -		NOT APPLICABLE		SCALE	
ANGLES ± -		NOT APPLICABLE		SHEET	
FINISH		WEIGHT		REV	
MATERIAL		CUSTOMER DRAWING		A2 00779 C=1571112	
		SCALE		1:1	
		SHEET		2 of 2	
		REV		E1	