

End clamp - CLIPFIX 35 WH - 0802723

Please be informed that the data shown in this PDF Document is generated from our Online Catalog. Please find the complete data in the user's documentation. Our General Terms of Use for Downloads are valid (<http://phoenixcontact.com/download>)



Quick mounting end clamp, for 35 mm NS 35/7,5 or NS 35/15 DIN rail, can be fitted with ZB 8 and ZB 8/27 zack marker strips, KLM 2 and KLM terminal strip markers, width: 9.5 mm, color: white

The illustration shows the version in gray

Product Features

- ✓ Phoenix Contact has engineered its CLIPFIX end brackets to maintain a secure grip on the various DIN rail systems
- ✓ Design width of just 9.5 mm
- ✓ Large-surface labeling



Key Commercial Data

Packing unit	1 pc
Minimum order quantity	50 pc
Weight per Piece (excluding packing)	6.4 g
Custom tariff number	85389099
Country of origin	Poland

Technical data

Dimensions

Length (b)	57 mm
Width (a)	9.5 mm

General

Color	white
Flammability rating according to UL 94	V2
Material	PA

Standards and Regulations

Flammability rating according to UL 94	V2
----------------------------------------	----

End clamp - CLIPFIX 35 WH - 0802723

Classifications

eCl@ss

eCl@ss 4.0	27141199
eCl@ss 4.1	27141199
eCl@ss 5.0	27141135
eCl@ss 5.1	27141135
eCl@ss 6.0	27141135
eCl@ss 7.0	27141135
eCl@ss 8.0	27141135

ETIM

ETIM 3.0	EC001041
ETIM 4.0	EC001041
ETIM 5.0	EC001041

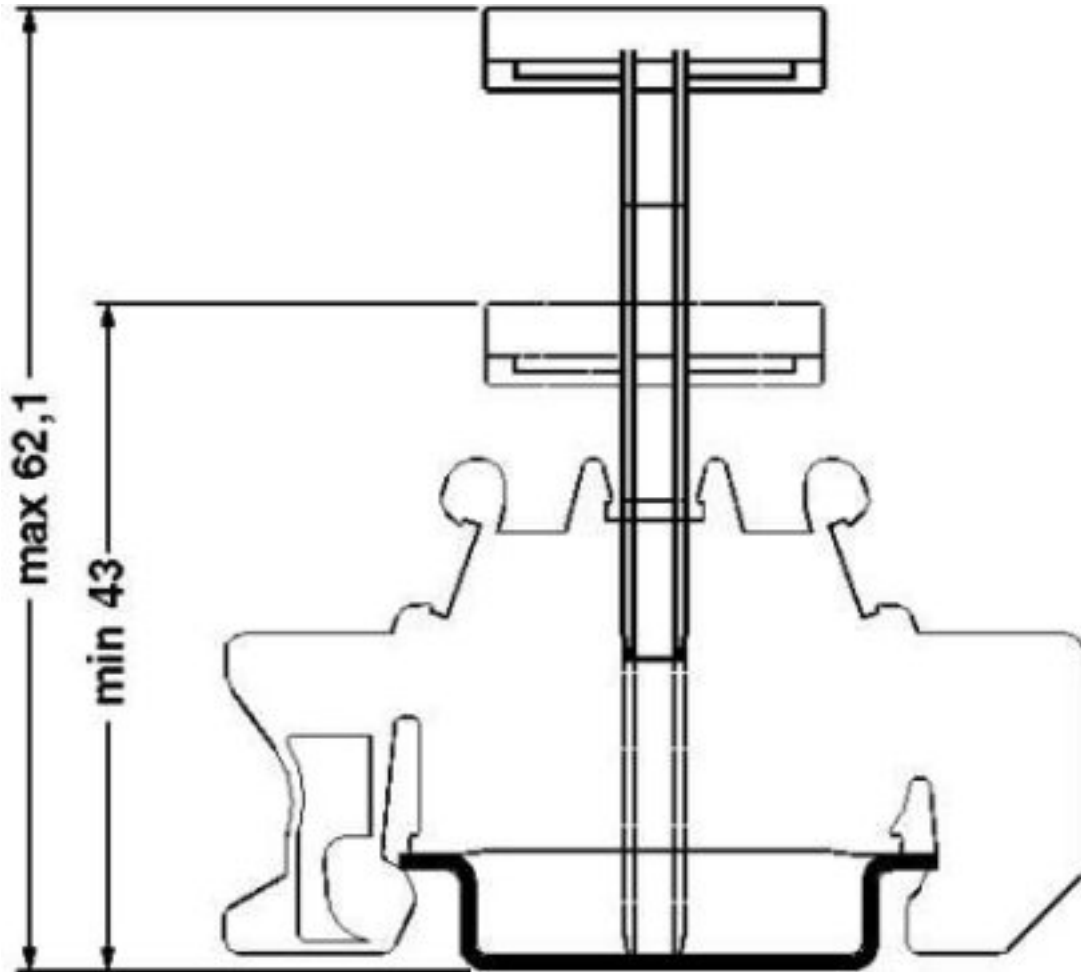
UNSPSC

UNSPSC 6.01	30212109
UNSPSC 7.0901	39121708
UNSPSC 11	39121708
UNSPSC 12.01	39121708
UNSPSC 13.2	39121708

Drawings

End clamp - CLIPFIX 35 WH - 0802723

Dimensional drawing



End clamp - CLIPFIX 35 WH - 0802723

Dimensional drawing

