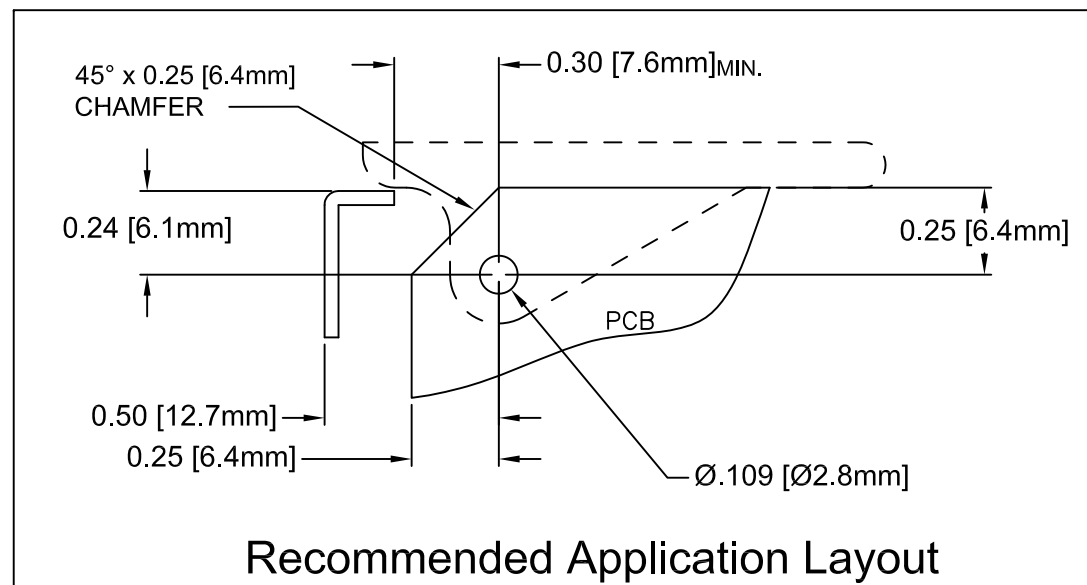
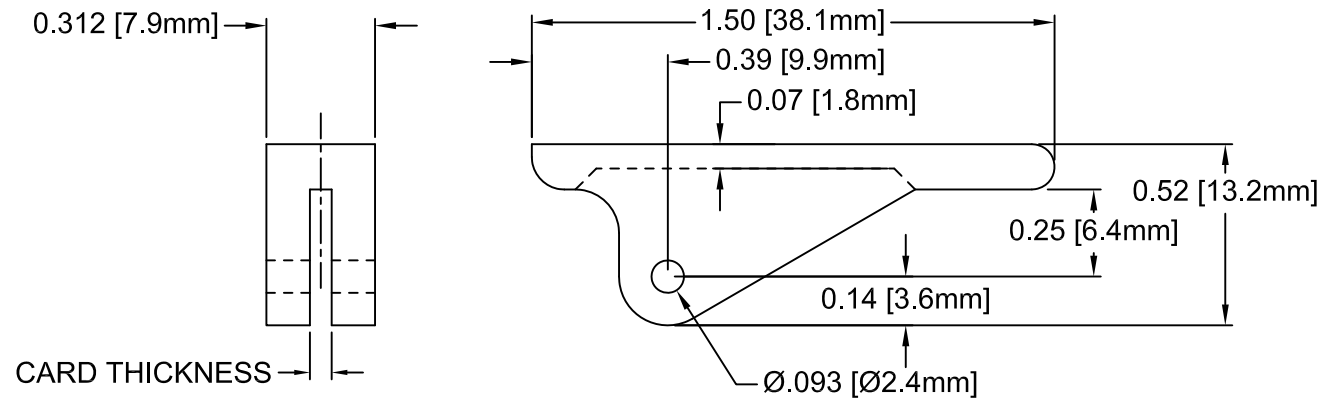



REV.	DESCRIPTION	DATE	APPROVED
B	Engineering Update w/o Changes	02/24/04	M. C.
C	Removed Part From Part Offering List	09/29/15	J. C.



PART NO.	CARD THICK.
CP-56	1/16"(1.6mm)
CP-59	3/32"(2.4mm)

2. MATERIAL: NYLON 6/6, 94V-2, WHITE. BIVAR MATERIAL CODE 04-WE.  
 BASF ULTRAMID NYLON 6/6 A3K WHITE.

1. GENERAL SPECIFICATIONS: BIVAR MOLDED COMPONENT SPECIFICATION BV00-E101.

STANDARD TOLERANCE ( UNLESS OTHERWISE SPECIFIED )		 4 THOMAS, IRVINE, CA. 92618 TEL: (949) 951-8808 FAX: (949) 951-3974
DECIMALS	ANGULAR	
.X ± .1	X° ± 1°	<b>TITLE:</b> CIRCUIT BOARD CARD EJECTOR <b>PART NO:</b> CP-5XX <b>REVISION:</b> C
.XX ± .01		
.XXX ± .005		
DESIGNED: <b>David Green</b>	DATE: <b>10/17/02</b>	<b>CAGE CODE :</b> 32559 <b>SHEET #</b> 1 <b>OF</b> 1 <small>CAD GENERATED DOCUMENT, DO NOT MEASURE DRAWING.</small>
CHECKED: <b>M. Chen</b>	DATE: <b>10/17/02</b>	