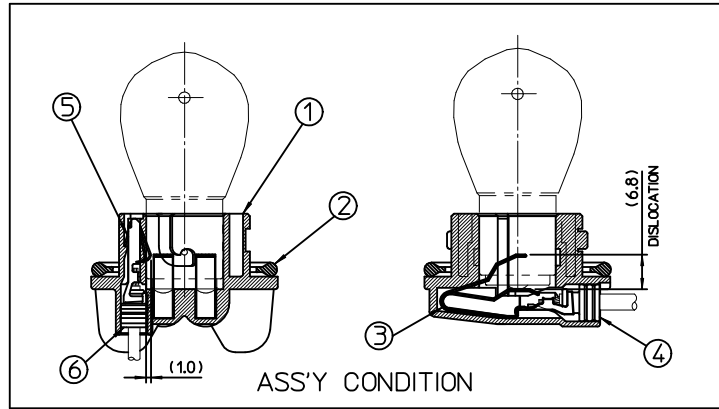
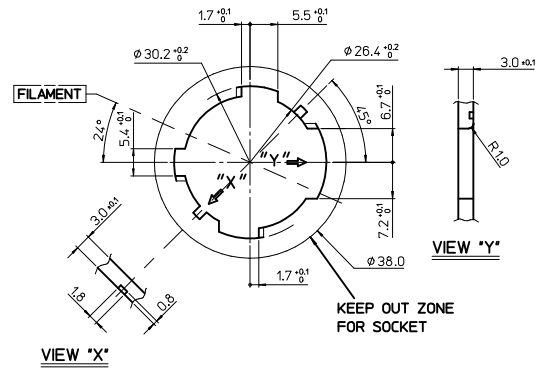
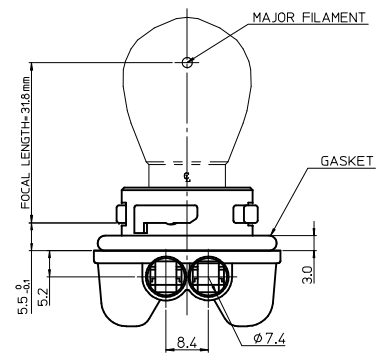
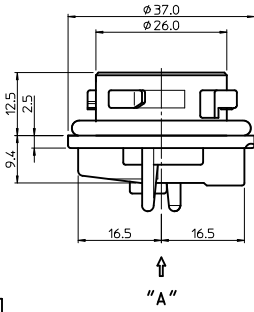
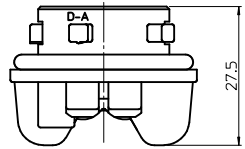
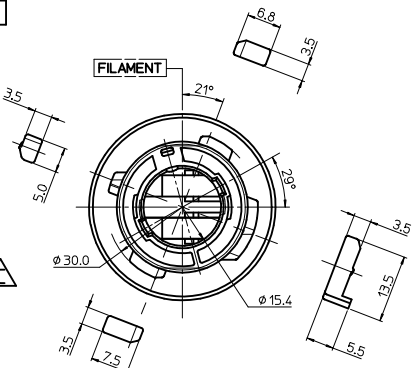
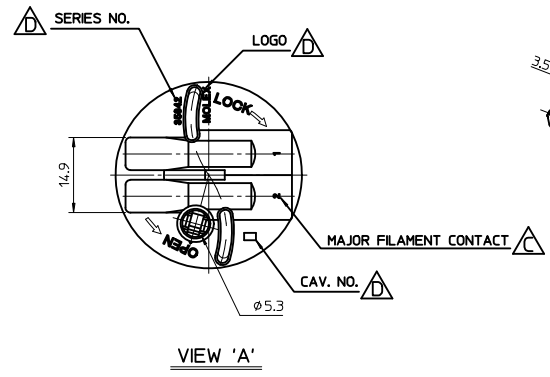


- NOTES
 1. FOCAL LENGTH = 31.8mm
 2. PRODUCT SPECIFICATION: PS-35842-001
 3. APPLICABLE BULB CAP: P21/5W(BAY15d)
 4. MATES WITH

NO.	DESCRIPTION	MATERIAL	ORDER NO.	REMARK
③	POSITIVE TERMINAL	PHOSPHOR BRONZE	35464-8000	UNPLATED
④	POSITIVER WIRE SEAL	SILICONE	35903-0096	BROWN
⑤	EARTH TERMINAL	PHOSPHOR BRONZE	35465-8000	UNPLATED
⑥	EARTH WIRE SEAL	SILICONE	35903-0106	BLUE

<PART LIST>

NO.	DESCRIPTION	MATERIAL	USAGE	REMARK
①	DOUBLE SOCKET	PA66 M/F	1	A TYPE
②	SEAL GASKET	SILICONE	1	BLUE



<TABLE 1>

MATERIAL NO.	ORDER NO.	COLOR
358422301	35842-2301	BLACK

REVISED

REV	DESCRIPTION
D	DRW: EOKIM 2010/04/05 CHKD: WYANG 2010/04/05 APPR: YUNSIKKIM 2010/04/06

QUALITY SYMBOLS	GENERAL TOLERANCES (UNLESS SPECIFIED)	
	mm	INCH
▽=0	4 PLACES ± ---	± ---
▽=0	3 PLACES ± ---	± ---
	2 PLACES ± 0.15	± ---
	1 PLACE ± 0.25	± ---
	ANGULAR ± 2 °	

DRAFT WHERE APPLICABLE MUST REMAIN WITHIN DIMENSIONS

DIMENSION STYLE		SCALE	DESIGN UNITS	THIRD ANGLE PROJECTION
MM ONLY		1:1	METRIC	☉
DRAWN BY	DATE	TITLE		
EOKIM	2007/10/08	SEALED PT BULB SOCKET DOUBLE ASS'Y-A TYPE (SEAL GASKET-SILICONE)		
CHECKED BY	DATE	MOLEX INCORPORATED		
BCYOON	2007/10/08	MATERIAL NO. SD-35842-230		
APPROVED BY	DATE	SHEET NO. 1 OF 1		
EHJUNG	2007/10/08	THIS DRAWING CONTAINS INFORMATION THAT IS PROPRIETARY TO MOLEX INCORPORATED AND SHOULD NOT BE USED WITHOUT WRITTEN PERMISSION		

MOUNTING INTERFACE (MI-4)