

THE INFORMATION CONTAINED HEREIN IS CONSIDERED "PROPRIETARY" TO BEL FUSE INC. AND SHALL NOT BE COPIED, REPRODUCED OR DISCLOSED WITHOUT THE WRITTEN APPROVAL OF BEL FUSE INC.

RoHS
2002/95/EC

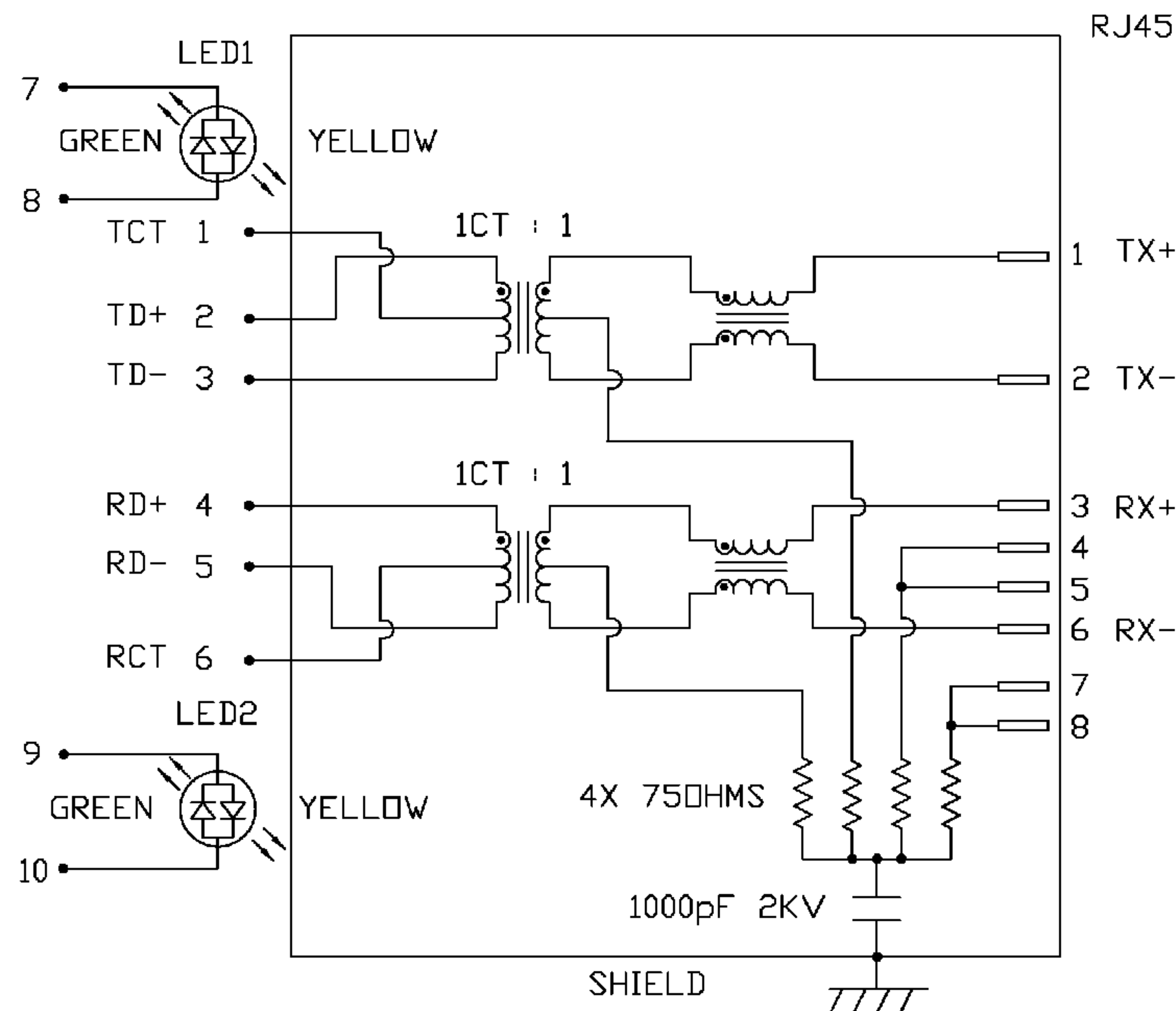


ELECTRICAL CHARACTERISTICS @ 25°C

| | | |
|---|---|---|
| <p> TRANSFORMER TURNS RATIO TX RX OCL @ 100kHz/100mVRMS 8mA DC BIAS INS. LOSS 1MHz TO 100MHz RET. LOSS (MIN) 1MHz-30MHz 30MHz-60MHz 60MHz-80MHz CROSS TALK (TX - RX) 500kHz-1MHz 10 MHz 30 MHz 50 MHz 100 MHz CM TO CM REJ 100kHz-1MHz 10 MHz 30 MHz 60 MHz 100 MHz CM TO DM REJ 100kHz-1MHz 10 MHz 30 MHz 60 MHz 100 MHz HIPDT (Isolation Voltage): LED 1 & LED 2 VF (FORWARD VOLTAGE) λD (DOMINANT WAVELENGTH) </p> | <p> 1CT : 1 1CT : 1 350µH MIN. -1.0 dB MAX -18 dB -18+20LOG(F/30MHz) dB -12 dB -70 dB MIN -50 dB MIN -45 dB MIN -40 dB MIN -35 dB MIN -70 dB MIN -47 dB MIN -42 dB MIN -37 dB MIN -30 dB MIN -70 dB MIN -60 dB MIN -50 dB MIN -45 dB MIN -40 dB MIN 1500 Vrms or 2250VDC </p> | <p> GREEN 2.2V TYP. YELLOW 2.1V TYP. GREEN 565nm TYP. YELLOW 590nm TYP. </p> |
|---|---|---|

| LED1 POLARITY | | | LED2 POLARITY | | |
|---------------|-------|--------|---------------|--------|--------|
| PIN 7 | PIN 8 | COLOR | PIN 9 | PIN 10 | COLOR |
| - | + | GREEN | - | + | GREEN |
| + | - | YELLOW | + | - | YELLOW |

SCHMATIC



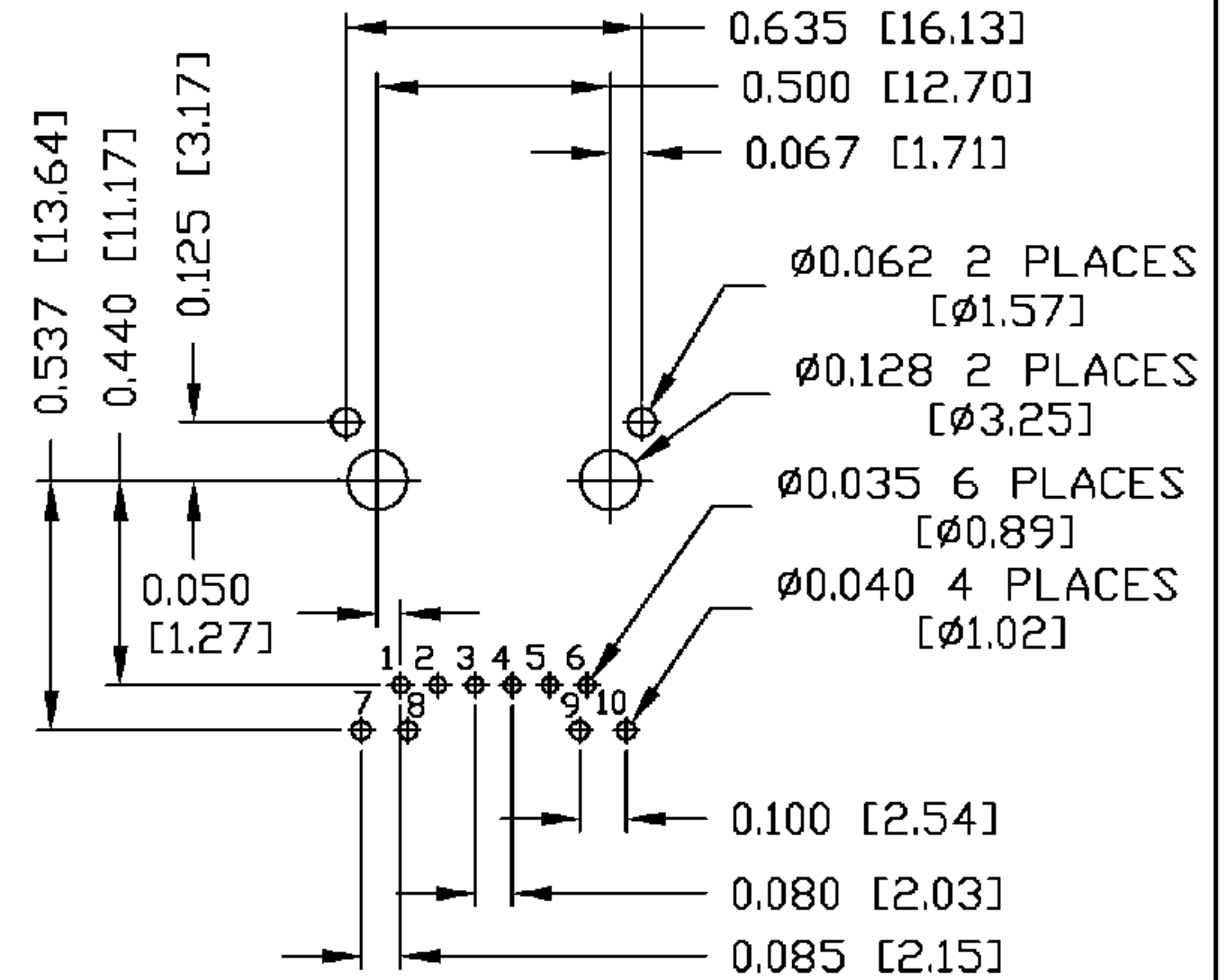
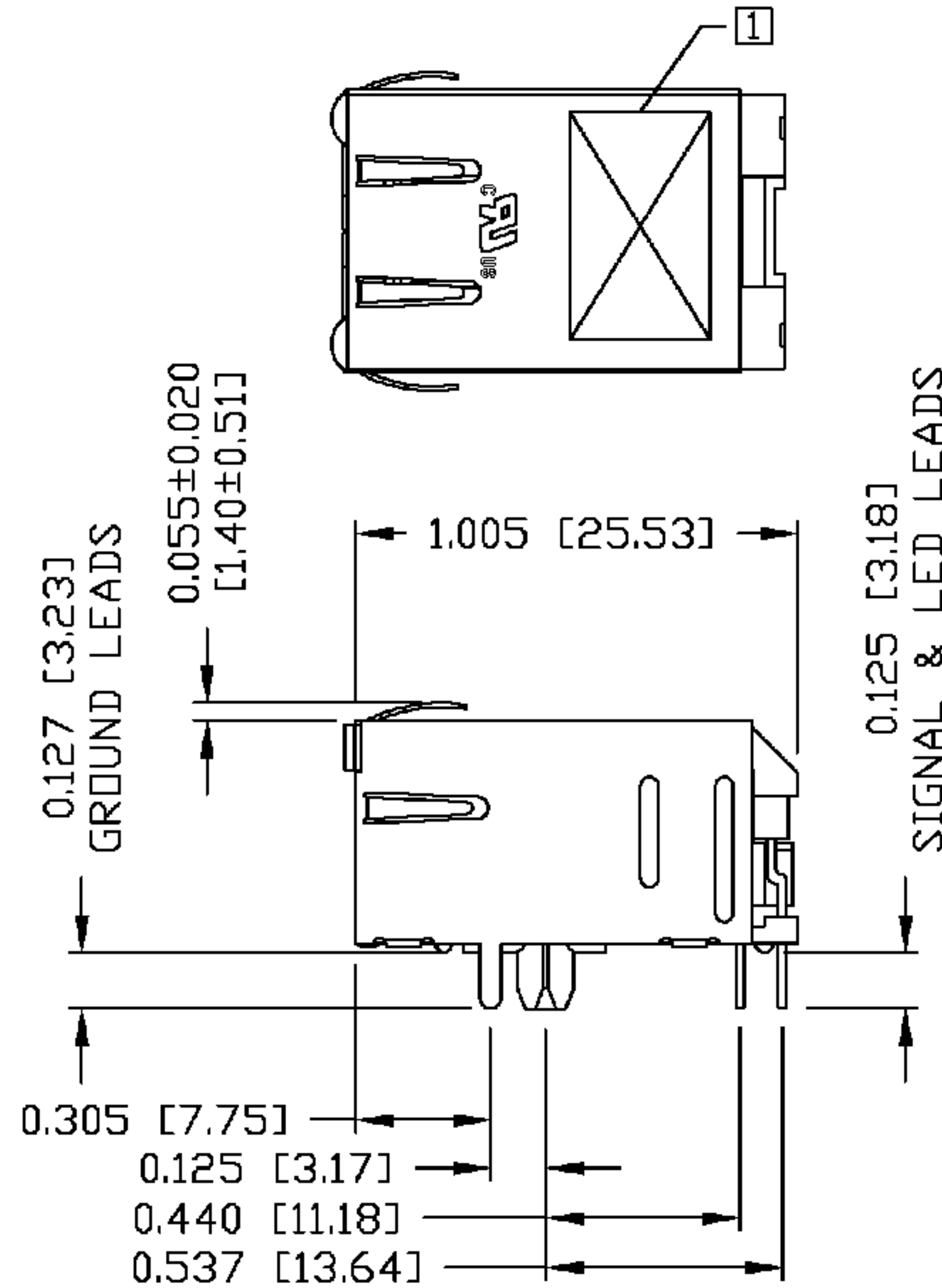
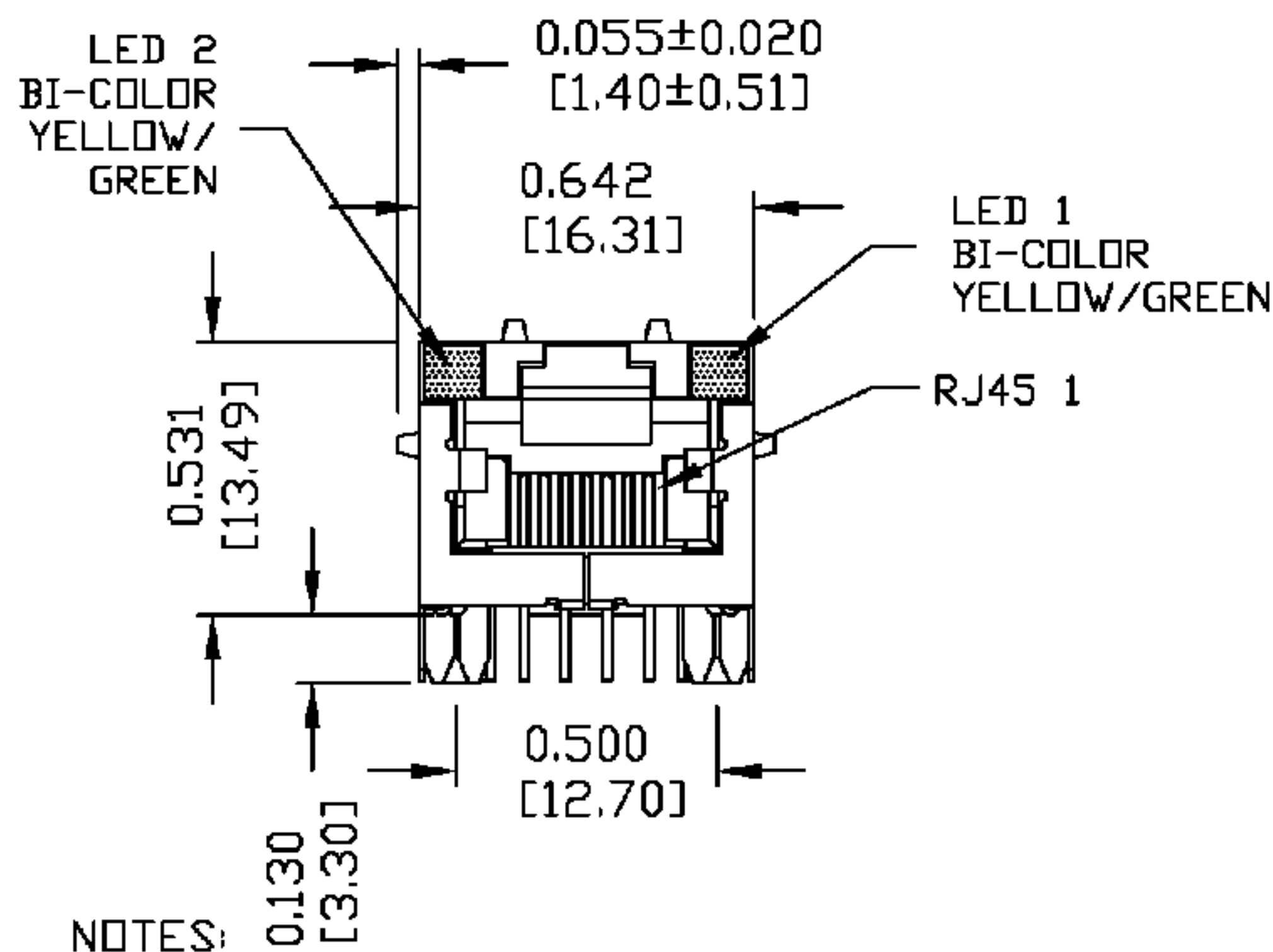
| | | | | | | | |
|------------------------|------------------|--|--|--|---|-----------------------------------|---|
| ORIGINATED BY CHUNG | DATE 03-17-06 | TITLE MagJack® (4 Cores, MDIX, CM Termination) | PART NO. / DRAWING NO. 08B01C1T06-F | STANDARD DIM. TOL. IN INCH .X .XX .XXX | [] METRIC DIM. AS REFERENCE UNIT : INCH [mm] SCALE : N/A | REV. : A SIZE : A4 PAGE : 2 | <p>COMPONENTS OR A CONNECTED PLANET</p> |
| DRAWN BY DE | DATE 03-17-06 | FILE NAME 08B0-1C1T-06-F | 08B01C1T06-FA.DWG | | | | |

THE INFORMATION CONTAINED HEREIN IS CONSIDERED "PROPRIETARY" TO BEL FUSE INC. AND SHALL NOT BE COPIED, REPRODUCED OR DISCLOSED WITHOUT THE WRITTEN APPROVAL OF BEL FUSE INC.



MECHANICAL SPECIFICATION

RECOMMENDED PCB FOOTPRINT
COMPONENT SIDE VIEW



- PLASTIC HOUSING: THERMOPLASTIC PBT
FLAMMABILITY RATING UL 94V-0
- CONTACTS PLATING: 15 MICRO-INCH HARD GOLD PLATING
- PINS: TIN-COATED COPPER WIRE, DIA 0.018 INCH.
- METAL SHIELD: PRE-PLATED NICKEL ON COPPER ALLOY.
(ALL GROUND LEADS ARE SOLDER DIPPED)
- MARK PART WITH MFG LOGO, MFG NAME, PART NUMBER, AND DATE CODE.
- c us UL RECOGNIZED - FILE #E196366 AND E169987.
- 2. RoHS COMPLIANCE, PER EU DIRECTIVE 2002/95/EC.

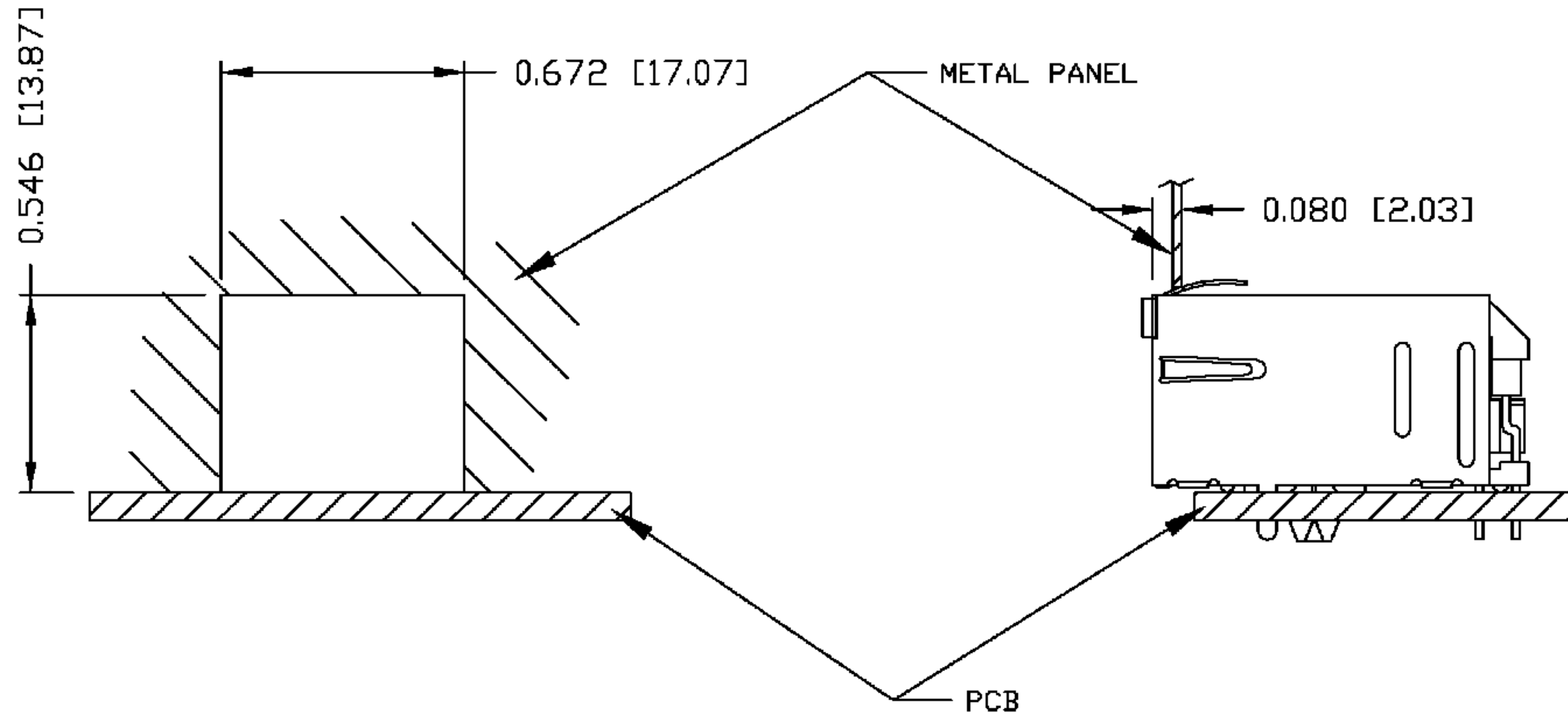
| | | | | | | |
|---------------------------|------------------|--|--|-------------------------------|-----------------------------------|---------------------------------------|
| ORIGINATED BY QIN\BILL | DATE 03-17-06 | TITLE MagJack® (4 Cores, MDIX, CM Termination) | PART NO. / DRAWING NO. 08B01C1T06-F | STANDARD DIM. TOL. IN INCH | [] METRIC DIM. AS REFERENCE | COMPONENTS FOR A CONNECTED PLANET |
| DRAWN BY TING | DATE 03-17-06 | FILE NAME 08B0-1C1T-06-F | 08B01C1T06-FA.DWG | .X | UNIT : INCH [mm] | |
| | | | | .XX | SCALE : N/A | |
| | | | | .XXX ±0.010 | REV. : A SIZE : A4 PAGE : 3 | |

THE INFORMATION CONTAINED HEREIN IS CONSIDERED "PROPRIETARY" TO BEL FUSE INC. AND SHALL NOT BE COPIED, REPRODUCED OR DISCLOSED WITHOUT THE WRITTEN APPROVAL OF BEL FUSE INC.

RoHS
2002/95/EC



SUGGESTED PANEL OPENING



NOTE:

THE DISTANCE OF PANEL INSIDE SURFACE RELATIVE TO FRONT SURFACE OF PART IS ONLY A SUGGESTION. IN CASE THIS DISTANCE IS DIFFERENT, THE REQUIRED PANEL OPENING DIMENSIONS CHANGE ACCORDINGLY.

PACKING INFORMATION

PACKING TRAY : 0200-9999-D4(TOP)

0200-9999-D5(BOTTOM)

PACKING QUANTITY : 60 PCS FINISHED GOODS PER TRAY

11 TRAYS (660 PCS FINISHED GOODS) PER CARTON BOX

NOTE : CARDBOARDS ARE PLACED BETWEEN LAYERS OF PACKING TRAY INSIDE CARTON BOX
(INCLUDE THE UPPERMOST AND LOWERMOST TRAY)

| ORIGINATED BY | DATE | TITLE | PART NO. / DRAWING NO. | STANDARD DIM. TOL. IN INCH | [] METRIC DIM. AS REFERENCE |
|---------------|----------|---|------------------------|----------------------------|------------------------------|
| QIN\BILL | 03-17-06 | MagJack® (4 Cores, MDIX, CM Termination) | 08B01C1T06-F | .X | UNIT : INCH [mm] |
| DRAWN BY | DATE | | FILE NAME | .XX | SCALE : N/A |
| TING | 03-17-06 | | 08B01C1T06-FA.DWG | .XXX | ±0.004 |
| | | | | | REV. : A |
| | | | | | SIZE : A4 |
| | | | | | PAGE : 4 |

