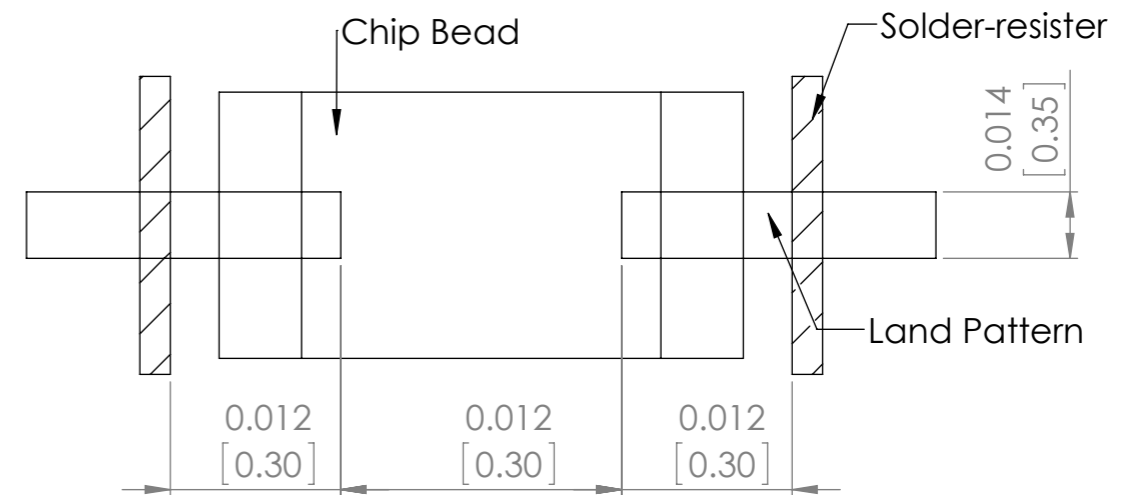
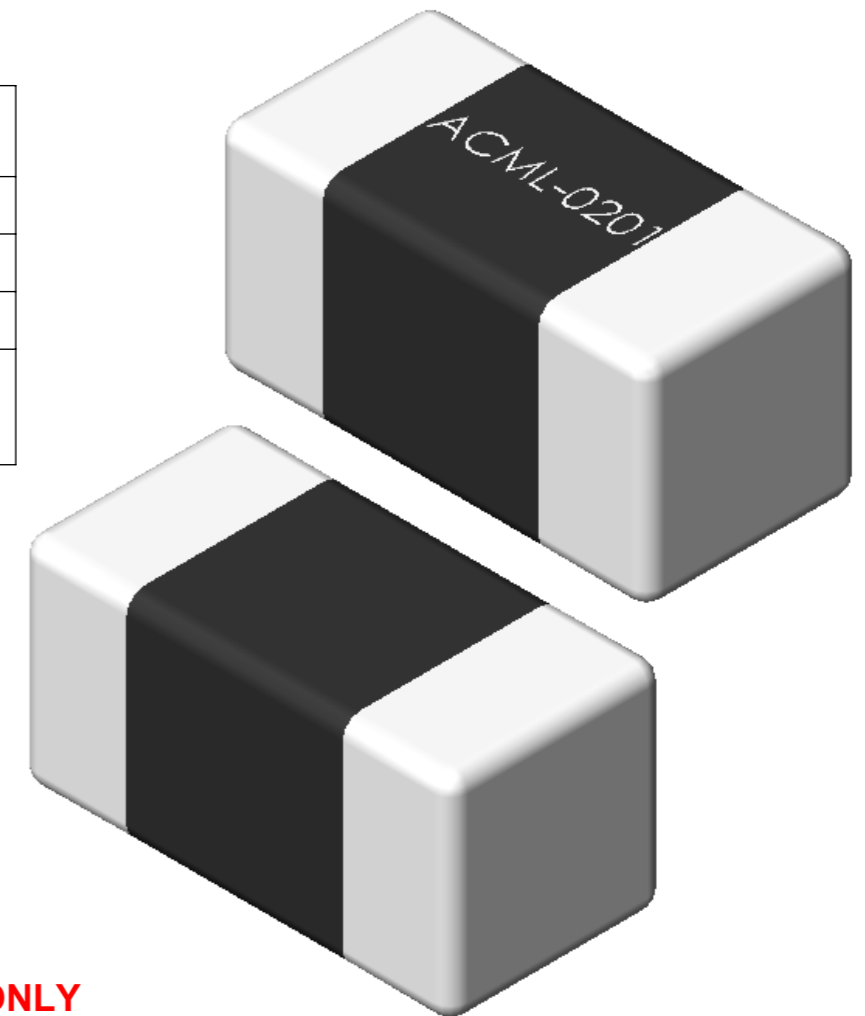


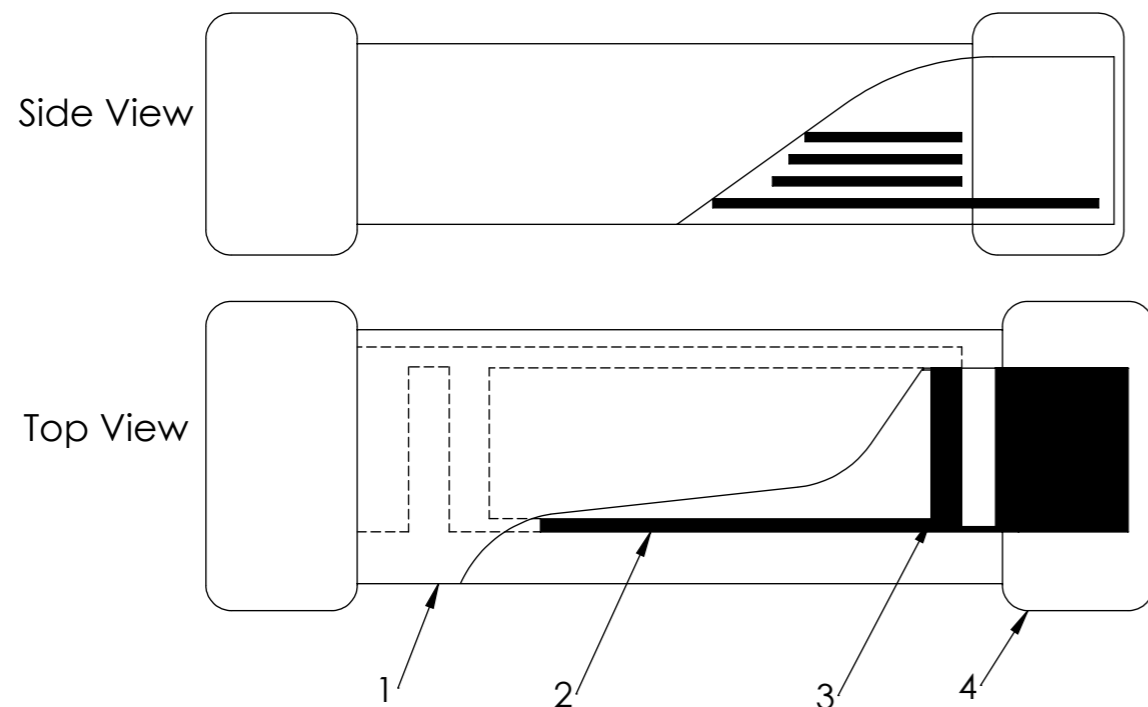
### Recommended Land Pattern



	Part Name	Material
1	Base Material	Ferrite
2	Internal Conductor	Ag
3	Pull out Electrode	Ag
4	Terminal Electrode	Ag (Innerlayer) Ni-Sn (Outerlayer)



### Materials



**TOP PACKAGE MARKING IS FOR ILLUSTRATION PURPOSES ONLY**

UNLESS OTHERWISE SPECIFIED: DIMENSIONS ARE IN INCH(MM) SURFACE FINISH: TOLERANCES: LINEAR: ANGULAR:		FINISH:	DEBUR AND BREAK SHARP EDGES	DO NOT SCALE DRAWING	REVISION -
DRAWN	NAME	SIGNATURE	DATE	 <b>ABRACON CORPORATION</b> 30332 Esperanza, Rancho Santa margarita, California 92688 TITLE: Ferrite Bead DWG NO. ACML-0201 SCALE: 135:1	
CHK'D	SAAZVAT				
APPV'D	XXXXXX				
MFG					
Q.A					
WEIGHT:			SHEET 1 OF 1		