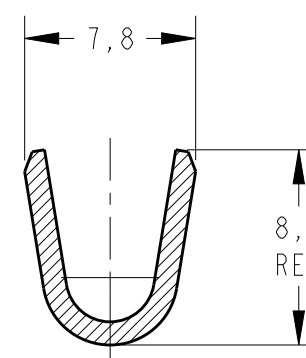
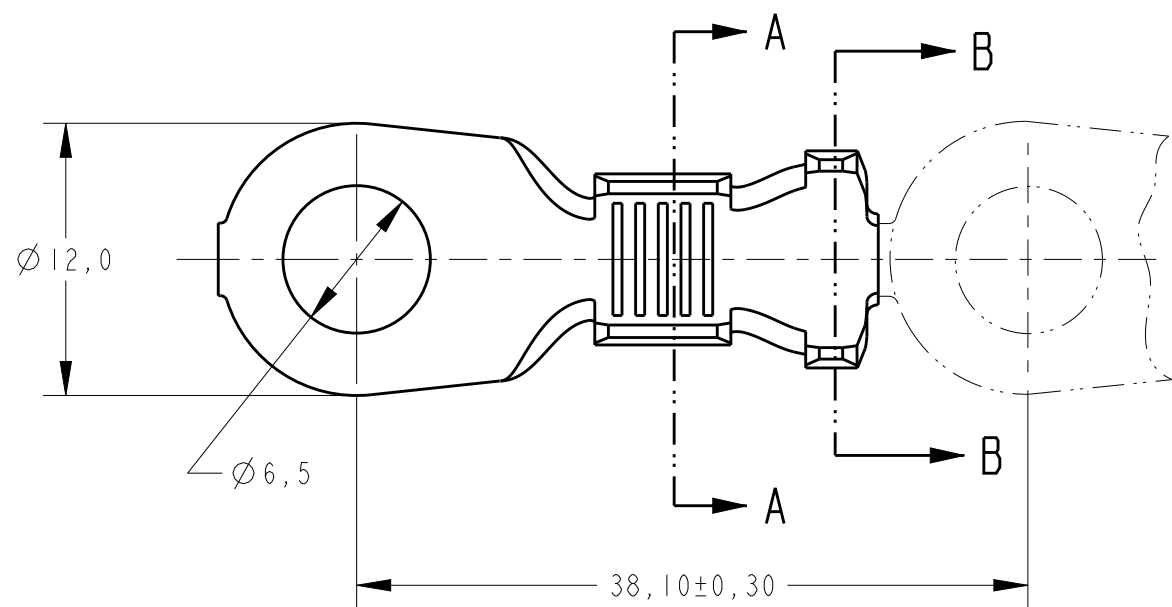


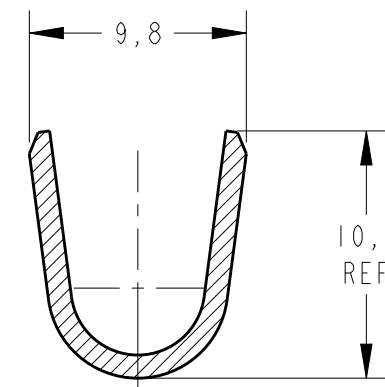
creo  
Creo Parametric 2.0  
**DO NOT REVISE  
EXCEPT BY CAD**

REVISIONS

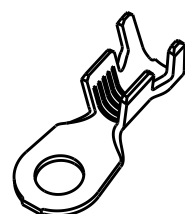
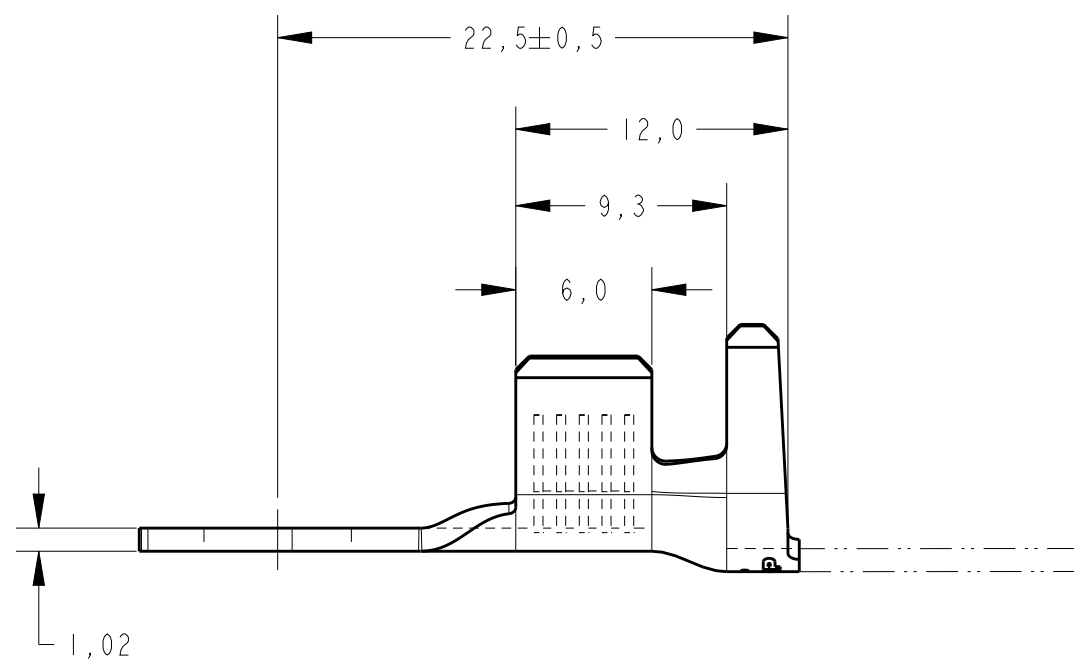
P	LTR	DESCRIPTION	DATE	DWN	APVD
	B	REDRAW BY CAD ECO-14-012842	27AUG2014	NCL	GB
	B1	REVISED DRAWING ECO-16-004517	24MAR2016	NCL	GB




SECTION A-A  
SCALE 3:1



SECTION B-B  
SCALE 3:1



PERSPECTIVE VIEW  
SCALE 1:1

Ø 4,6-7,7mm	6,0-10,0mm <sup>2</sup>	—	BRONZE FOSF.	444305-1
INSUL RANGE	WIRE RANGE	FINISH	MATERIAL	PART NO
THIS DRAWING IS A CONTROLLED DOCUMENT.		DWN 27AUG2014 NCLAPRESA	 TE Connectivity <b>RING TONGUE M6</b>	
DIMENSIONS: mm		CHK 27AUG2014 FCHRISTIANO		
TOLERANCES UNLESS OTHERWISE SPECIFIED:		APVD 27AUG2014 GBONUCCI		
0 PLC ±- 1 PLC ±- 2 PLC ±0,3 3 PLC ±- 4 PLC ±- ANGLES ±-		PRODUCT SPEC		
MATERIAL SEE TABLE	FINISH SEE TABLE	APPLICATION SPEC	SIZE A3	CAGE CODE 00779
		WEIGHT -	DRAWING NO C-444305	RESTRICTED TO -
CUSTOMER DRAWING			SCALE 3:1	SHEET 1 OF 1 REV B1