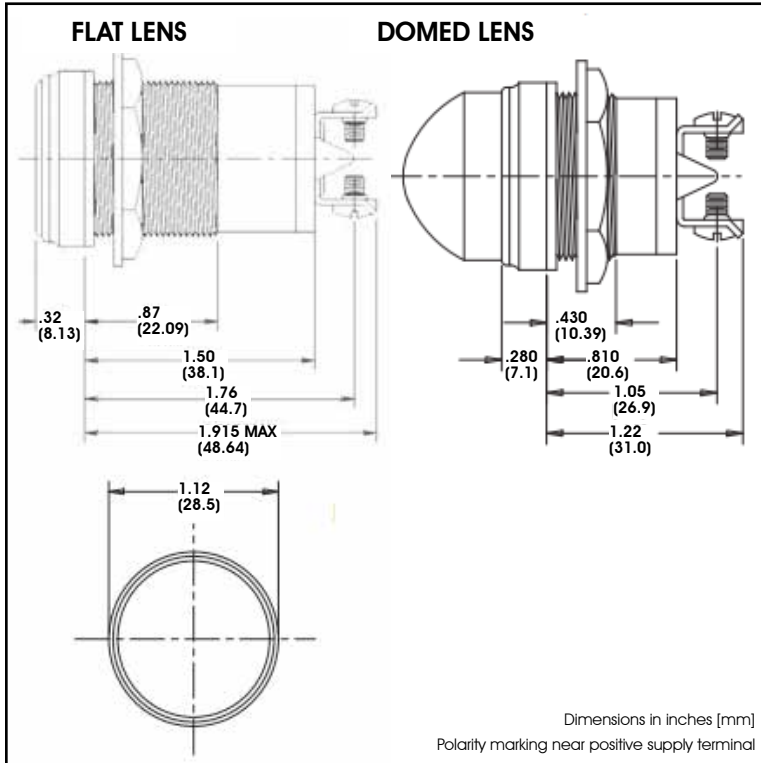




556 Series Class I, Div. 2 Panel Mount Indicators



Certifications & Ratings

- UL1598
- NEMA 4x IP66
- RoHS Compliant
- IK07

Features and Benefits

- Rated for use in Class I, Div. 2 hazardous locations
- UL recognized – File #E156890
- Watertight seal from front of panel - NEMA 4X IP66
- Tamperproof / Designed for high durability
- Long life, lasting up to 100k hours
- Uniform illumination - multi-LED construction
- Low profile flat lens or wide angle domed lens
- IP66 from front of panel

Application:

The 556 Series LED Panel Mount Indicators incorporate both InGaN and AlInGaP technologies to offer maximum light output. This is a highly durable package, designed to withstand outdoor applications susceptible to rain, dust and sunlight. In addition, the Class I, Division 2 rating allows for use in hazardous environments common to the oil and gas, mining, and chemical industries.

- Instrument panels
- Mining application
- Safety applications
- Oil Refineries
- UL 508 panel applications
- Transportation - rail, bus, airline
- Agricultural controls
- Petrochemical applications
- Power generators
- Pump system controllers
- Environmental Monitoring Equipment specifications

...and many more!

Mechanical Information

Mounting Hole Size:	1" (25.4 mm)
Max Panel Thickness:	Flat: .600" (15.24 mm); Dome: .187" (4.75 mm)
Mounting Torque:	40 in-lbs torque

Electrical specifications

Operating Voltage:	12 to 125VDC and 125, 230VAC
Operating Temp:	-30°C to +85°C
Storage Temp:	-40°C to +100°C
Electrical connection	6-32 Screw Terminals

Construction

Housing:	Nickel Plated Brass
Lens Material:	Transparent Polycarbonate (UL 94V-0)
Terminals:	Brass – Hot solder dip per Mil-F-14072D, M258, Type II
Lock washer:	Phosphor Bronze – White Nickel Plated
Nut:	Brass – White Nickel Plated



556 Series

Class I, Div. 2 Panel Mount Indicators

Part Number	Lens Style	Color	Voltage	Voltage Type	Current (MA)	Typical Intensity (FL)
556-1003-324F	Flat	White	12	VDC	60	4000
556-1503-324F	Flat	Red	12	VDC	95	3000
556-1603-324F	Flat	Green	12	VDC	60	4000
556-1683-324F	Flat	Cyan	12	VDC	60	4000
556-1703-324F	Flat	Yellow	12	VDC	95	3000
556-1803-324F	Flat	Blue	12	VDC	60	1200
556-1903-324F	Flat	Orange	12	VDC	95	3000
556-1004-324F	Flat	White	24	VDC	32	4000
556-1504-324F	Flat	Red	24	VDC	46	3000
556-1604-324F	Flat	Green	24	VDC	32	4000
556-1684-324F	Flat	Cyan	24	VDC	32	4000
556-1704-324F	Flat	Yellow	24	VDC	46	3000
556-1804-324F	Flat	Blue	24	VDC	32	1200
556-1904-324F	Flat	Orange	24	VDC	46	1200
556-1508-324F	Flat	Red	37	VDC	20	2600
556-1608-324F	Flat	Green	37	VDC	16	4000
556-1708-324F	Flat	Yellow	37	VDC	20	2600
556-1006-324F	Flat	White	72	VDC	18.5	1800
556-1506-324F	Flat	Red	72	VDC	18.5	1800
556-1606-324F	Flat	Green	72	VDC	16	1800
556-1706-324F	Flat	Yellow	72	VDC	20	1000
556-1806-324F	Flat	Blue	72	VDC	16	1200
556-1005-324F	Flat	White	125	VAC	10	700
556-1505-324F	Flat	Red	125	VAC	10	1000
556-1507-324F	Flat	Red	125	VDC	10	7000
556-1605-324F	Flat	Green	125	VAC	9	1800
556-1607-324F	Flat	Green	125	VDC	10.5	1200
556-1685-324F	Flat	Cyan	125	VAC	9.5	1800
556-1705-324F	Flat	Yellow	125	VAC	9.5	1800
556-1707-324F	Flat	Yellow	125	VDC	10.5	1200
556-1805-324F	Flat	Blue	125	VAC	9.5	500
556-1905-324F	Flat	Orange	125	VAC	10.5	500
556-1009-324F	Flat	White	230	VAC	7	1800
556-1509-324F	Flat	Red	230	VAC	7	1200
556-1609-324F	Flat	Green	230	VAC	7	1800
556-1709-324F	Flat	Yellow	230	VAC	7	1200
556-1809-324F	Flat	Blue	230	VAC	7	500
556-1909-324F	Flat	Orange	230	VAC	7	1800

*For domed lens style: replace 4th digit with "3" for example 556-3003-304F