

MDB series

Micro limit snap action switch

Distinctive features and specifications



- Movement differential $\leq 0.2\text{mm}$.
- Available in normally open, normally closed and change-over functions.
- Solder lug and PC terminals available.

ELECTRICAL SPECIFICATIONS

- AC rating: 0.1A ... 3A 125VAC
- Electrical life: 100,000 cycles min. (>1A: 10,000 cycles min.)

MATERIALS

- Case: PBT (UL94V-0)
- Actuator: PBT (UL94V-0)
- Contact spring: AgNi
- Terminals: CuZn Ag plated
- Contacts: AgNi

GENERAL SPECIFICATIONS

- Operating temperature: 0°C to +55°C
- Pretravel: $\leq 0.5\text{mm}$
- Overtravel: 0.2mm min.
- Movement differential: $\leq 0.2\text{mm}$
- Operating position: $5.5 \pm 0.3\text{mm}$
- Contact gap: <3mm

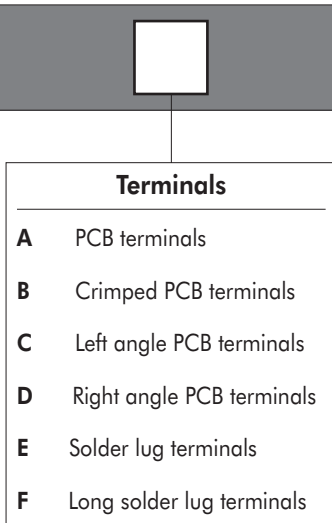
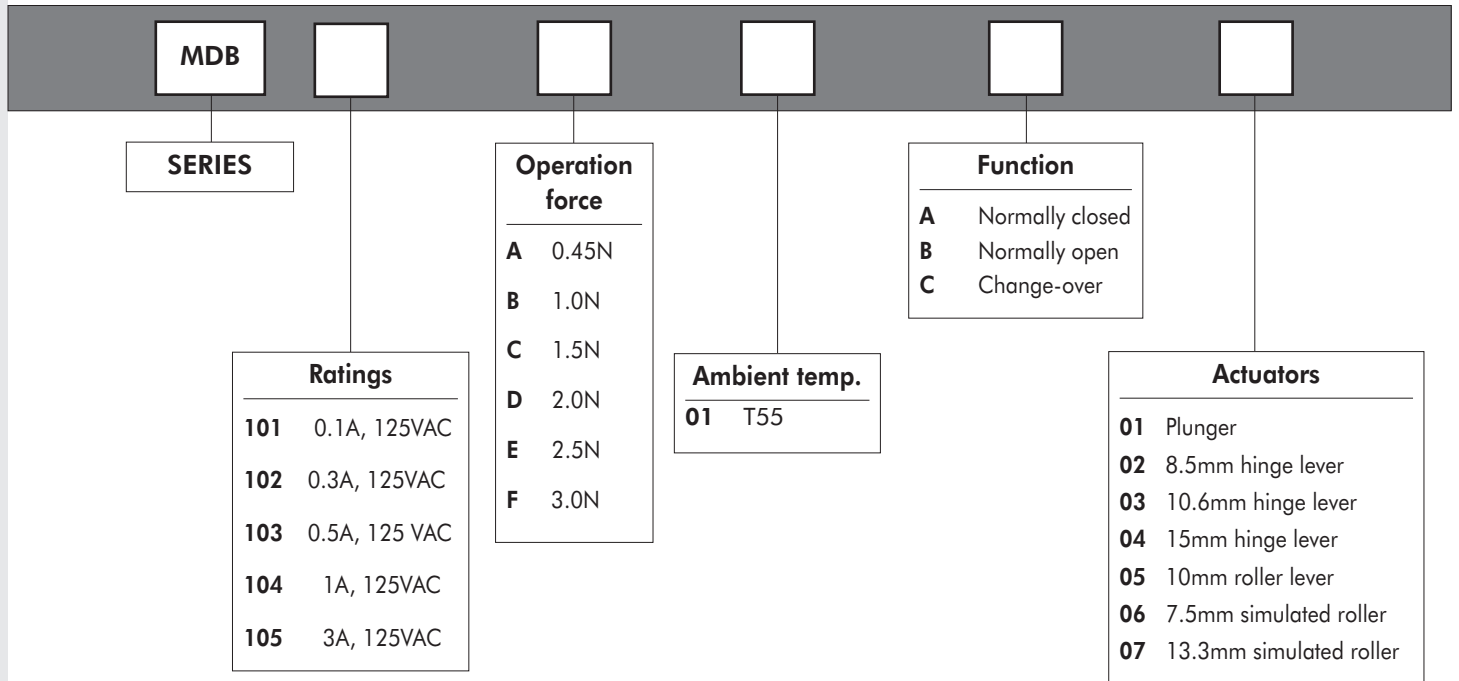
AGENCY APPROVAL



(submitted)

MDB series

Micro limit snap action switch



ABOUT THIS SERIES

On the following pages, you will find successively :

- model structure of switches
- options in the same order as in above chart

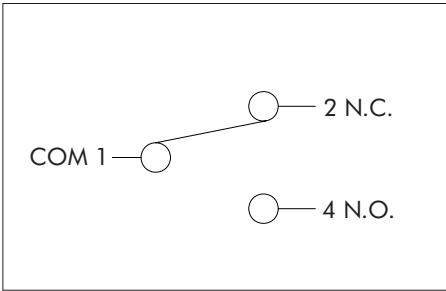
Dimensions : first dimensions are in mm while inches are shown as bracketed numbers.



NOTICE : please note that not all combinations of above numbers are available. Refer to the following pages for further information.

MDB series

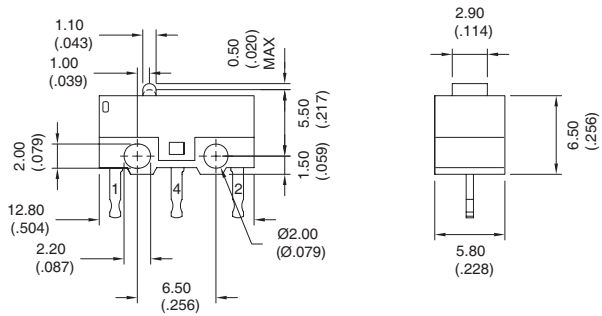
Micro limit snap action switch



Change-over with plunger



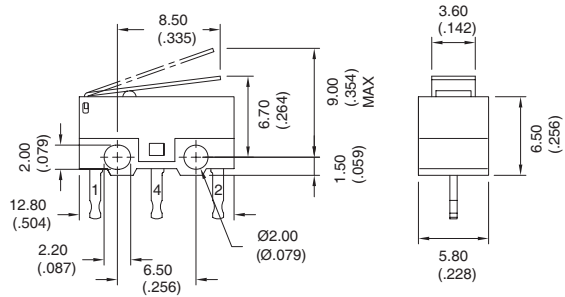
MDB 01C01



Change-over with 8.5mm hinge lever



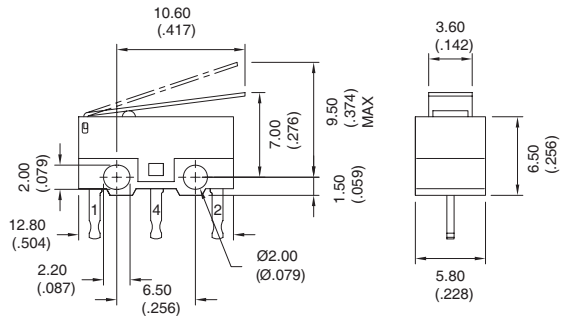
MDB 01C02



Change-over with 10.6mm hinge lever



MDB 01C03



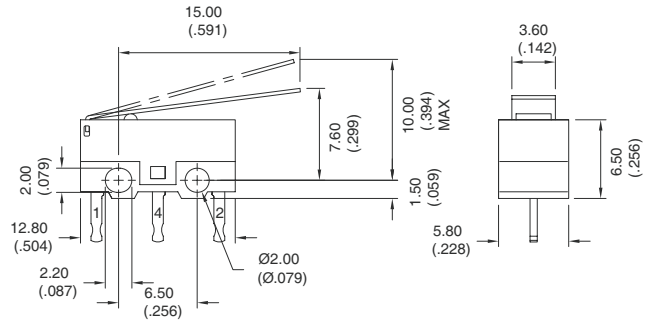
MDB series

Micro limit snap action switch

Change-over with 15mm hinge lever



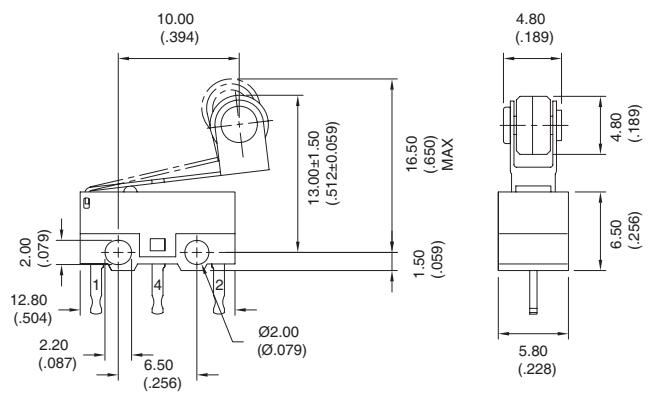
MDB 01C04



Change-over with 10mm roller lever



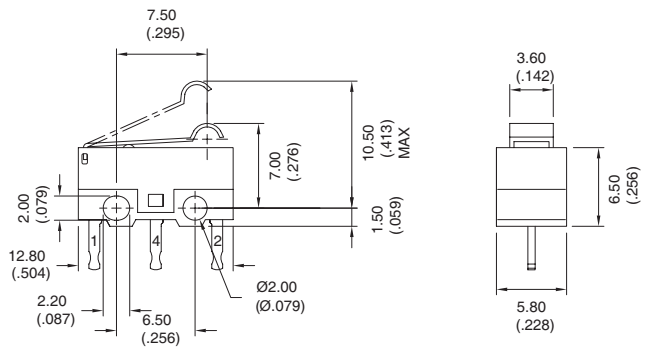
MDB 01C05



Change-over with 7.5mm simulated roller



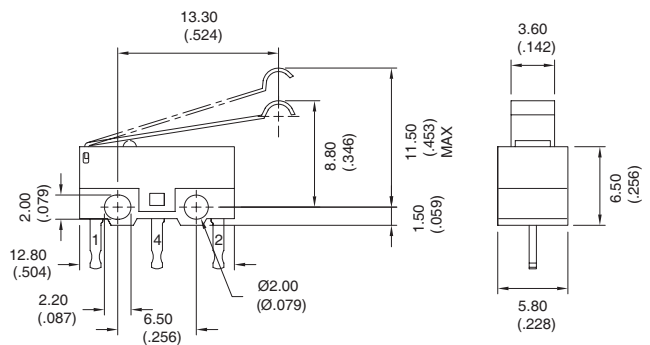
MDB 01C06



Change-over with 13.3mm simulated roller



MDB 01C07

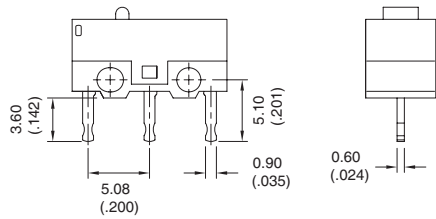


MDB series

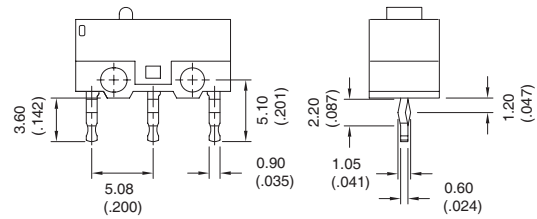
Micro limit snap action switch

Terminal options

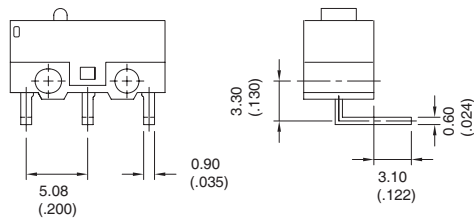
A PCB terminals



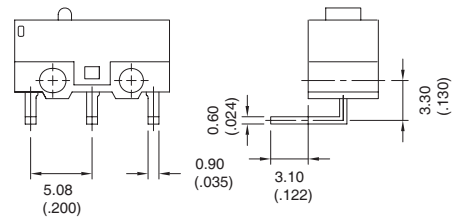
B Crimped PCB terminals



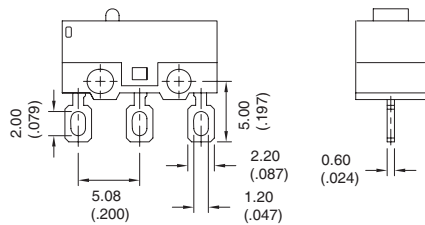
C Left bend PCB terminals



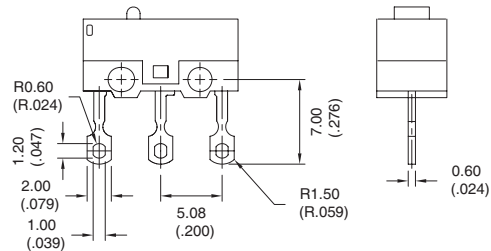
D Right bend PCB terminals



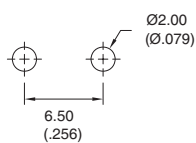
E Solder lug terminals



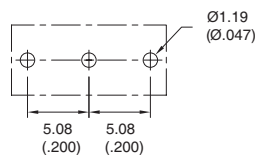
F Long solder lug terminals



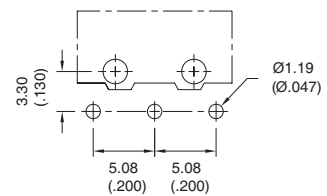
Mounting hole dimensions



Fixing holes



PCB terminals



Bent PCB terminals

MDB series

Micro limit snap action switch

MDB	Actuator	Actuator length	Operation force on plunger (≤N)	Operation force on lever (≤N)	Pretravel mm (in)	Overtravel mm (in)	Movement differential mm (in)	Free position mm (in)	Operating position
Plunger	01	-	0.45	-	0.50 (.020)	0.20 (.008)	0.20 (.008)	6.30 (.248)	5.50±0.30 (.217±.012)
			1.0	-					
			1.5	-					
			2.0	-					
			2.5	-					
			3.0	-					
Hinge lever 8.5mm	02	8.50 (.335)	0.45	0.20	3.30 (.130)	0.60 (.024)	0.60 (.024)	9.00 (.354)	6.70±1.00 (.264±.039)
			1.0	0.40					
			1.5	0.53					
			2.0	0.70					
			2.5	0.90					
			3.0	1.10					
Hinge lever 10.6mm	03	10.60 (.417)	0.45	0.14	3.70 (.146)	0.70 (.028)	0.70 (.028)	9.50 (.374)	7.00±1.20 (.276±.047)
			1.0	0.30					
			1.5	0.45					
			2.0	0.60					
			2.5	0.75					
			3.0	0.90					
Hinge lever 15mm	04	15.00 (.519)	0.45	0.10	3.90 (.154)	1.00 (.039)	1.00 (.039)	10.00 (.394)	7.60±1.50 (.299±.059)
			1.0	0.22					
			1.5	0.33					
			2.0	0.44					
			2.5	0.55					
			3.0	0.66					
Roller lever 10mm	05	10.00 (.394)	0.45	0.14	5.00 (.197)	0.70 (.028)	0.70 (.028)	16.50 (.650)	13.00±1.50 (.512±.059)
			1.0	0.31					
			1.5	0.46					
			2.0	0.61					
			2.5	0.77					
			3.0	0.92					
Simulated roller 7.5mm	06	7.50 (.295)	0.45	0.18	5.00 (.197)	0.60 (.024)	0.60 (.024)	10.50 (.413)	7.00±1.50 (.276±.059)
			1.0	0.40					
			1.5	0.60					
			2.0	0.80					
			2.5	1.00					
			3.0	1.20					
Simulated roller 13.3mm	07	13.30 (.524)	0.45	0.11	4.20 (.165)	0.90 (.035)	0.90 (.035)	11.50 (.453)	8.80±1.50 (.346±.059)
			1.0	0.24					
			1.5	0.36					
			2.0	0.48					
			2.5	0.60					
			3.0	0.72					