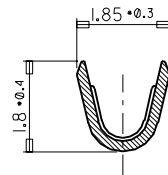
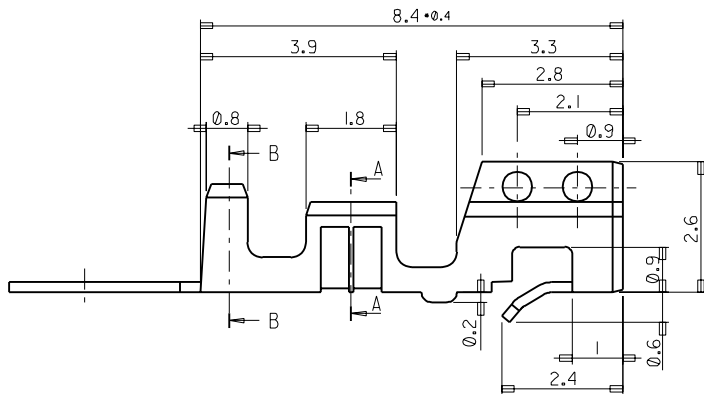
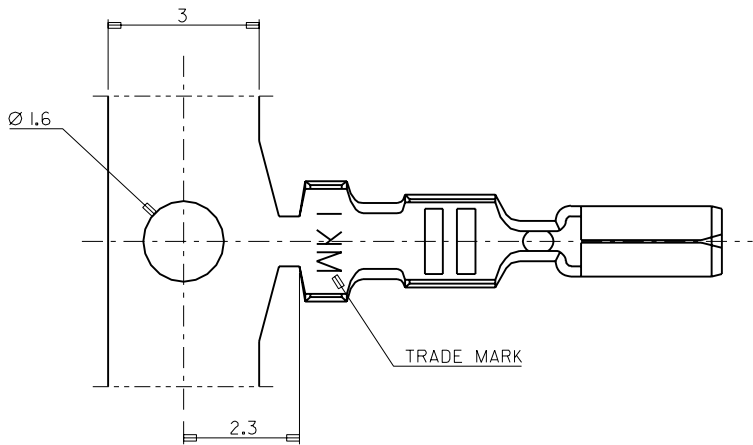
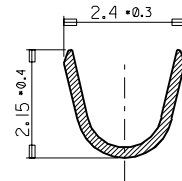


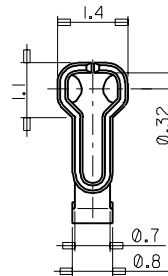
PROJECT NO. 5103-\*\*  
 SIMILAR ITEM 5103-\*\*  
 EDP NO. 08-700-05\*9  
 ENG. NO SD 5103-#9



SECTION A-A



SECTION B-B



NOTE

I. APPLICABLE HOUSING : 5102-N, 35155-\*\*-00

PRE-RELEASE  
 REFERENCE  
 USE ONLY

				PRE-TIN PHOS-BRO.	08-700-0589	5103-PBT9	
				PRE-TIN BRASS	08-700-0569	5103-T9	CHAIN
				MATERIAL	EDP NO.	ENG NO.	FORM
				MATERIAL	SEE TABLE (THK.: 0.2)		
				GENERAL TOLERANCE	MOLEX MOLEX-KOREA CO., LTD.		
				DIMENSION : ±0.2	DRAWN BY	CHK'D BY	
				ANGLE : ±10°	H.S.SHIN		
A	REVISED	KOR7-0074	97/7/02	DIMENSIONAL CLASSIFICATION	APP'D BY	SCALE 10-1	
Ø	NEW RELEASED	97-018	97/2/25	▽ : CRITICAL ▼ : MAJOR	TITLE : MINI SPOX CRIMP RECEPTACLE TERMINAL		
LTR	REVISION RECORD	ECN	DATE	( ) : REFERENCE	SHEET 1/1		
				ASS'Y PART	ENG. NO. SD-5103-#9		
				DESCRIPTION	REV A		
				ENG. NO.			
				REVISE ONLY ON CAD SYSTEM			