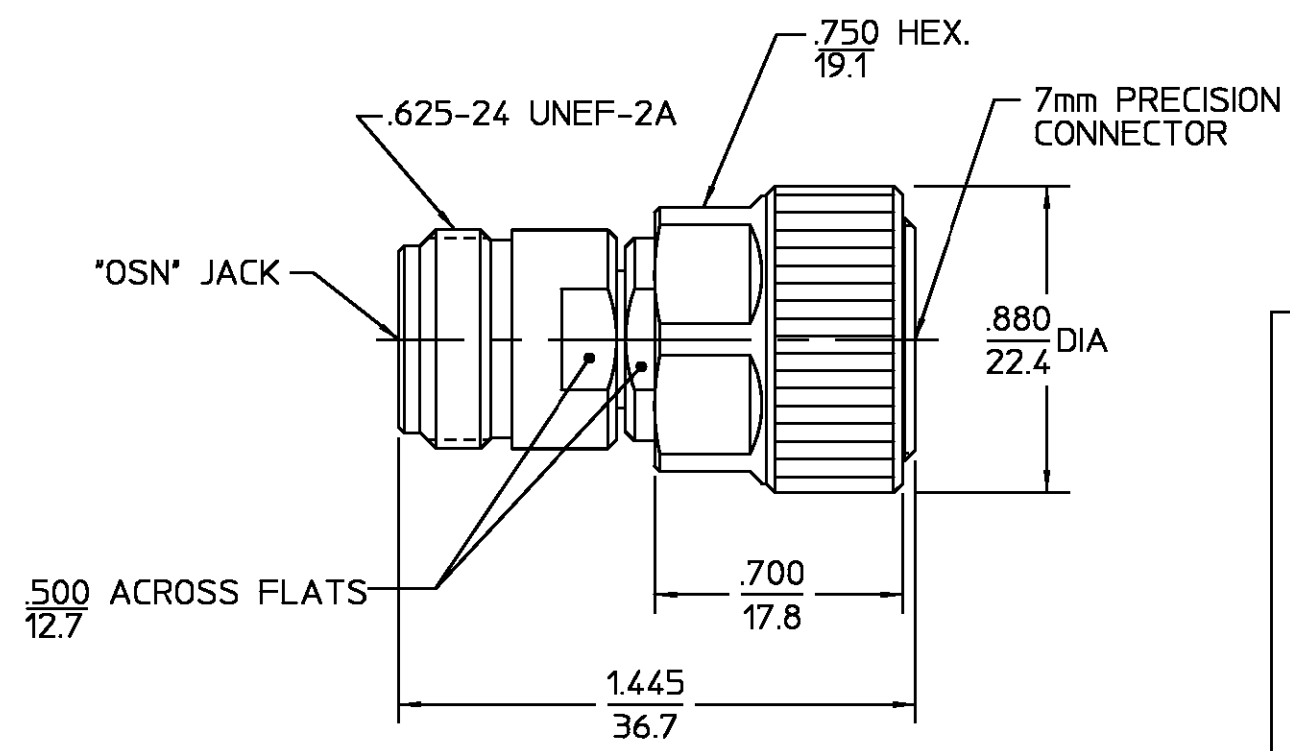


REVISIONS			
REV	DESCRIPTION	DATE	APPROVED
03 ₁	REVISED	12/16/95 7/17/96	<i>RAC</i>
B	PER EC 0U20-0116-01-03	16NOV01	<i>C. Hoang</i> 16NOV01



SLIDE ASS'Y	STAINLESS STEEL PER ASTM-A484 AND ASTM-A582, TYPE 303	ELECTRO-POLISHED
COUPLING NUT		
HOUSING	STAINLESS STEEL PER ASTM-A484 AND ASTM-A582, TYPE 303	GOLD PLATE PER MIL-G-45204
HOUSING	STAINLESS STEEL PER ASTM-A484 AND ASTM-A582, TYPE 303	PASSIVATE PER QQ-P-35
DIELECTRIC	TFE FLUOROCARBON PER ASTM-D-1457	N/A
CONTACT EXT.	BERYLLIUM COPPER PER ASTM-B-196 OR ASTM-B-197, ALLOY C17300, CONDITION H	GOLD PLATE PER MIL-G-45204
GASKET	SILICONE RUBBER PER ZZ-R-765	N/A
RETAINING RING	BERYLLIUM COPPER PER ASTM-B-194, ALLOY C17200, CONDITION H	N/A
CENTER CONTACT	BRASS PER ASTM-B-16, HALF HARD	GOLD PLATE PER MIL-G-45204

COMPONENT	MATERIAL	FINISH
-----------	----------	--------

UNLESS OTHERWISE SPECIFIED DIMENSIONS ARE IN INCHES	DRAWN BY D.CAM	DATE 7/14/78	AMP Incorporated 140 Fourth Avenue Waltham, MA 02451-7599
	CHECKED BY KWW	7/20/78	
	APPD BY RMF	7/25/78	

These drawings and specifications are the property of M/A COM Interconnect Div. and shall not be reproduced or copied or used in whole or in part as the basis for the manufacture or sale of item(s) without written permission.	USE ASSY PROCEDURE	TITLE 7MM PRECISION ADAPTER "OSN" JACK	
	NO. A.P. N/A	SIZE B	CODE IDENT NO. 7082-5004-00
		SCALE 2:1	REV 03 ₁

- NOTES:
1. CAPTURED CENTER CONTACT
 2. FREQUENCY: DC-18.0 GHz
 3. VSWR (MAX): 1.008 +.002f GHz

.XXX = in
XX.X = mm