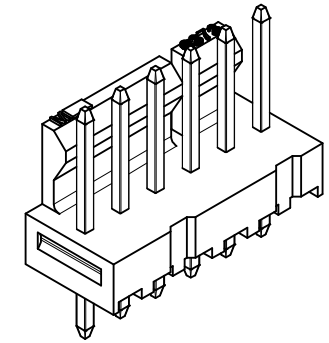
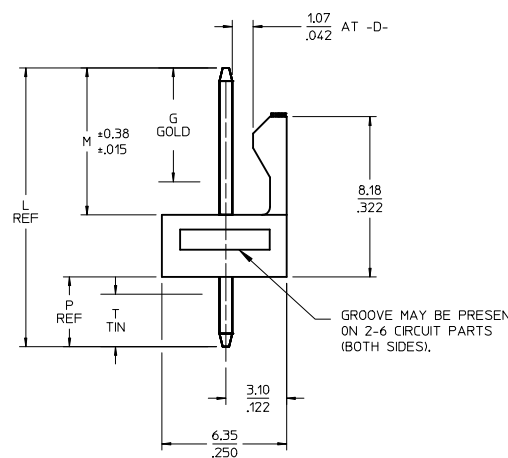
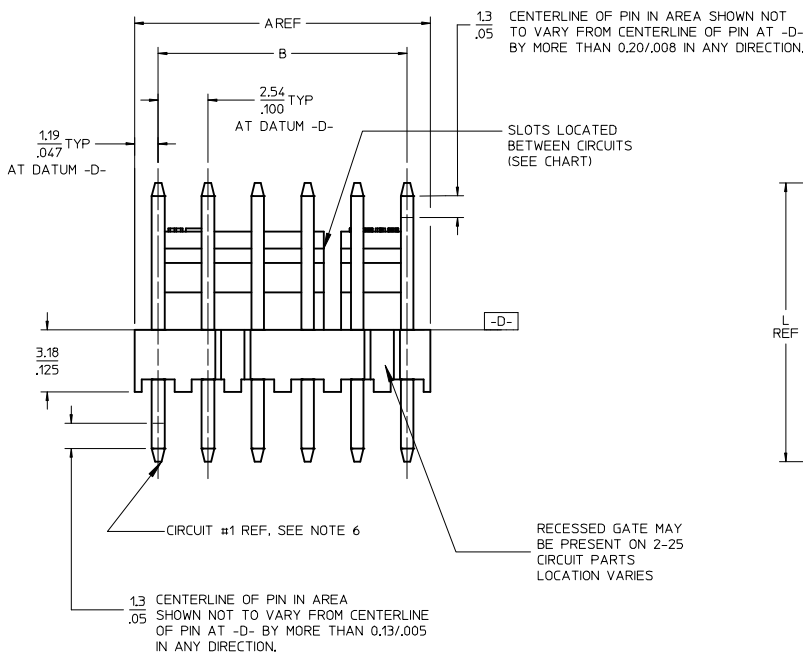
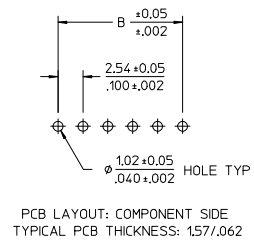
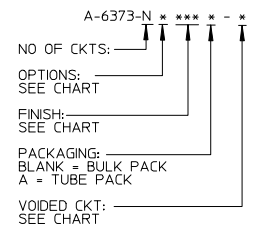


CKT	A	B	SLOTS LOCATION
02	4.93 .194	2.54 ± 0.05 .100 ± .002	NONE
03	7.47 .294	5.08 ± 0.10 .200 ± .004	NONE
04	10.01 .394	7.62 ± 0.13 .300 ± .005	NONE
05	12.55 .494	10.16 ± 0.13 .400 ± .005	NONE
06	15.09 .594	12.70 ± 0.13 .500 ± .005	4, 5
07	17.63 .694	15.24 ± 0.13 .600 ± .005	4, 5
08	20.17 .794	17.78 ± 0.15 .700 ± .006	4, 5
09	22.71 .894	20.32 ± 0.15 .800 ± .006	4, 5
10	25.25 .994	22.86 ± 0.15 .900 ± .006	4, 5
11	27.79 1.094	25.40 ± 0.18 1.000 ± .007	4, 5 8, 9
12	30.33 1.194	27.94 ± 0.18 1.100 ± .007	4, 5 8, 9
13	32.87 1.294	30.48 ± 0.18 1.200 ± .007	4, 5 8, 9
14	35.41 1.394	33.02 ± 0.18 1.300 ± .007	4, 5 8, 9
15	37.95 1.494	35.56 ± 0.20 1.400 ± .008	4, 5 12, 13
16	40.49 1.594	38.10 ± 0.20 1.500 ± .008	4, 5 12, 13
17	43.03 1.694	40.64 ± 0.20 1.600 ± .008	4, 5 12, 13
18	45.57 1.794	43.18 ± 0.20 1.700 ± .008	4, 5 12, 13
19	48.11 1.894	45.72 ± 0.23 1.800 ± .009	4, 5 16, 17
20	50.65 1.994	48.26 ± 0.23 1.900 ± .009	4, 5 16, 17
21	53.19 2.094	50.80 ± 0.23 2.000 ± .009	4, 5 16, 17
22	55.73 2.194	53.34 ± 0.23 2.100 ± .009	4, 5 16, 17
23	58.27 2.294	55.88 ± 0.23 2.200 ± .009	4, 5 20, 21
24	60.81 2.394	58.42 ± 0.25 2.300 ± .010	4, 5 20, 21
25	63.35 2.494	60.96 ± 0.25 2.400 ± .010	4, 5 20, 21
26	65.89 2.594	63.50 ± 0.25 2.500 ± .010	4, 5 20, 21
27	68.43 2.694	66.04 ± 0.25 2.600 ± .010	4, 5 24, 25
28	70.97 2.794	68.58 ± 0.25 2.700 ± .010	4, 5 24, 25



- NOTES:
- MATERIAL: NYLON. UL 94V-0, COLOR - WHITE.
  - FINISH:
    - (197) = OVERALL REFLOWED MATTE TIN: 0.00152/.000060 MIN OVER 0.00127/.000050 MIN NICKEL.
    - (154) = OVERALL TIN: 0.00254/.000100 MIN OVER 0.00127/.000050 MIN NICKEL.
    - (222) = OVERALL MATTE TIN: 0.00254/.000100 MIN OVER 0.00127/.000050 MIN NICKEL.
    - (225) = SELECT GOLD: 0.00005/.000002 MIN, SELECT MATTE TIN: 0.00254/.000100, BOTH OVER 0.00127/.000050 MIN NICKEL.
    - (228) = SELECT GOLD: 0.00076/.000030 MIN, SELECT MATTE TIN: 0.00254/.000100, BOTH OVER 0.00127/.000050 MIN NICKEL.
    - (231) = SELECT GOLD: 0.00127/.000050 MIN, SELECT MATTE TIN: 0.00254/.000100, BOTH OVER 0.00127/.000050 MIN NICKEL.
    - (241) = SELECT GOLD: 0.00051/.000020 MIN, SELECT MATTE TIN: 0.00254/.000100, BOTH OVER 0.00127/.000050 MIN NICKEL.
  - PRODUCT SPECIFICATION AND PROCESS PARAMETERS: PS-10-07.
  - PACKAGING INFORMATION: SEE LEGEND.
  - PARTS ARE STACKABLE END TO END ON 2.54/.100 CENTERS.
  - CIRCUIT ONE DESIGNATION IS USED TO DEFINE VOID LOCATION. CIRCUIT ONE MAY OR MAY NOT LINE UP WITH CIRCUIT ONE ON THE MATING HOUSING.
  - PIN PUSHOUT FORCE: 2 LBS MIN.
  - FOR PIN DIMENSIONS, SEE APPLICABLE DRAWING.
  - THIS PART CONFORMS TO CLASS B REQUIREMENTS OF COSMETIC SPECIFICATION PS-45499-002.



2-*	BD5
1	BD5
SHT	REV

ADD 46999-0801  
 EC NO: UCP2016-4061  
 DRW/CHK/PPR 2016/04/15  
 CHKD:JBELL 2016/04/15  
 APPR:FSM/TH 2016/05/12

QUALITY SYMBOLS
▽=0
▽=0
▽=0

GENERAL TOLERANCES (UNLESS SPECIFIED)	DIMENSION STYLE	
	mm	INCH
4 PLACES	± ---	± ---
3 PLACES	± ---	± .010
2 PLACES	± 0.25	± .015
1 PLACE	± 0.38	± ---
0 PLACE	±	±

ANGULAR ±1/2°  
 DRAFT WHERE APPLICABLE  
 MUST REMAIN WITHIN DIMENSIONS

DRAWN BY		DATE	
SAMIEC		2004/03/31	
CHECKED BY		DATE	
SAMIEC		2004/03/31	
APPROVED BY		DATE	
FSMITH		2010/12/03	

MATERIAL NO. SEE CHART  
 SIZE B

SCALE	DESIGN UNITS	THIRD ANGLE PROJECTION	
4:1	INCH	THIRD ANGLE PROJECTION	
<b>KK 100 HEADER ASSEMBLY FRICTION LOCK SOLID BODY</b>			
<b>molex</b>			
DOCUMENT NO.		SHEET NO.	
SD-6373-001		1 OF *	
THIS DRAWING CONTAINS INFORMATION THAT IS PROPRIETARY TO MOLEX INCORPORATED AND SHOULD NOT BE USED WITHOUT WRITTEN PERMISSION			

GROUP:	A-6373-NA222-*		
PIN NUMBER:	42663-0306 OR 2766-1(222)		
PIN LENGTH: L	.560 / (14.22)		
MATING: M	.295 / (7.49)	DIM. G	N/A
PC TAIL: P	.140 / (3.56)	DIM T	OVERALL
PACKAGING:	PK-6373-001 BULK		

CKT	MATERIAL NUMBER	ENG NUMBER	CKT	MATERIAL NUMBER	ENG NUMBER	VOID CKT	CKT	MATERIAL NUMBER	ENG NUMBER	VOID CKT	CKT	MATERIAL NUMBER	ENG NUMBER	VOID CKT
2	22-23-2021	A-6373-02A222	9	22-04-5094	A-6373-09A222-4	4	11	22-04-5117	A-6373-11A222-7	7	07	22-04-5076	A-6373-07A222-2	2
3	22-23-2031	A-6373-03A222	9	22-04-5096	A-6373-09A222-6	6	06	22-04-5063	A-6373-06A222-3	3	07	22-04-5077	A-6373-07A222-6	6
4	22-23-2041	A-6373-04A222	11	22-04-5114	A-6373-11A222-4	4	10	22-04-5101	A-6373-10A222-1	1	06	22-04-5069	A-6373-06A222-54	4, 5
5	22-23-2051	A-6373-05A222	11	22-04-5118	A-6373-11A222-8	8	10	22-04-5102	A-6373-10A222-2	2	25	22-04-5252	A-6373-25A222-2	2
6	22-23-2061	A-6373-06A222	08	22-04-5083	A-6373-08A222-3	3	10	22-04-5103	A-6373-10A222-3	3	08	22-04-5086	A-6373-08A222-6	6
7	22-23-2071	A-6373-07A222	08	22-04-5082	A-6373-08A222-2	2	15	22-04-5154	A-6373-15A222-14	14	08	22-04-5087	A-6373-08A222-52	2,3,5,6,7
8	22-23-2081	A-6373-08A222	10	22-04-5106	A-6373-10A222-6	6	05	22-04-5052	A-6373-05A222-2	2	10	22-04-5105	A-6373-10A222-5	5
9	22-23-2091	A-6373-09A222	04	22-04-5043	A-6373-04A222-3	3	08	22-04-5084	A-6373-08A222-4	4	05	22-04-5057	A-6373-05A222-52	2, 4
10	22-23-2101	A-6373-10A222	08	22-04-5081	A-6373-08A222-51	2,4,6	06	22-04-5064	A-6373-06A222-4	4	19	22-04-5198	A-6373-19A222-8	8
11	22-23-2111	A-6373-11A222	09	22-04-5093	A-6373-09A222-3	3	03	22-04-5031	A-6373-03A222-1	1	11	22-04-5119	A-6373-11A222-51	2,4,6,8,10
12	22-23-2121	A-6373-12A222	08	22-04-5085	A-6373-08A222-5	5	05	22-04-5053	A-6373-05A222-3	3	12	22-04-5129	A-6373-12A222-11	11
13	22-23-2131	A-6373-13A222	06	22-04-5065	A-6373-06A222-5	5	11	22-04-5116	A-6373-11A222-6	6	08	22-04-5088	A-6373-08A222-53	4, 6
14	22-23-2141	A-6373-14A222	07	22-04-5072	A-6373-07A222-52	2,4,6	07	22-04-5074	A-6373-07A222-4	4	04	22-04-5044	A-6373-04A222-4	4
15	22-23-2151	A-6373-15A222	06	22-04-5062	A-6373-06A222-2	2	10	22-04-5079	A-6373-10A222-52	2,3,5,6,8,9	27	22-04-5277	A-6373-27A222-51	3,7,9,11,14,16, 21, 23
16	22-23-2161	A-6373-16A222	07	22-04-5071	A-6373-07A222-51	2,3,5,6	04	22-04-5049	A-6373-04A222-51	2,3				
17	22-23-2171	A-6373-17A222	10	22-04-5100	A-6373-10A222-10	10	04	22-04-5048	A-6373-04A222-52	2,4	11	22-04-5115	A-6373-11A222-52	5, 6
18	22-23-2181	A-6373-18A222	10	22-04-5109	A-6373-10A222-9	9	04	22-04-5041	A-6373-04A222-1	1	24	22-23-3245	A-6373-24A222-23	23
19	22-23-2191	A-6373-19A222	10	22-04-5108	A-6373-10A222-8	8	03	22-04-5032	A-6373-03A222-2	2	11	22-23-3115	A-6373-11A222-10	10
20	22-23-2201	A-6373-20A222	05	22-04-5054	A-6373-05A222-4	4	13	22-04-5139	A-6373-13A222-9	9	15	22-23-3155	A-6373-15A222-15	15
21	22-23-2211	A-6373-21A222	03	22-04-5033	A-6373-03A222-3	3	12	22-04-5126	A-6373-12A222-6	6	08	22-04-5089	A-6373-08A222-54	2, 5
22	22-23-2221	A-6373-22A222	07	22-04-5075	A-6373-07A222-5	5	13	22-04-5131	A-6373-13A222-51	2,3,5,6,8,9,11,12	06	22-23-2069	A-6373-06A222-55	2,3,4,5
23	22-23-2231	A-6373-23A222	07	22-04-5073	A-6373-07A222-3	3	06	22-04-5066	A-6373-06A222-52	3,5	07	22-23-2079	A-6373-07A222-53	2,3,4,5,6
24	22-23-2241	A-6373-24A222	14	22-04-5149	A-6373-14A222-9	9	05	22-04-5056	A-6373-05A222-51	1,3,5	13	22-23-1137	A-6373-13A222-53	3,6,10,12
25	22-23-2251	A-6373-25A222	15	22-04-5152	A-6373-15A222-2	2	06	22-04-5067	A-6373-06A222-53	1, 5	10	22-23-1107	A-6373-10A222-53	4,7
26	22-23-2261	A-6373-26A222					06	22-04-5068	A-6373-06A222-6	6	18	22-23-1187	A-6373-18A222-5	5
27	22-23-2271	A-6373-27A222	11	50-29-1594	A-6373-11A222-53	2,3,4,5,7,8,9,10	02	22-04-5021	A-6373-02A222-1	1	18	22-23-1188	A-6373-18A222-7	7
28	22-23-2281	A-6373-28A222	13	22-04-5132	A-6373-13A222-52	8, 9	04	22-04-5042	A-6373-04A222-2	2	12	50-29-0096	A-6373-12A222-8	8

REV: <b>BD5</b>	<u>ECR/ECN INFORMATION:</u>		<u>TITLE:</u> <b>KK 100 HEADER ASSEMBLY FRICTION LOCK SOLID BODY</b>	<u>SHEET No.</u> <b>- 2 -</b>
	EC No.:	<b>UCP2016-4061</b>		
	DATE:	<b>5/16/2016</b>		
<u>DOCUMENT NUMBER:</u> <b>SD - 6373 - 001</b>		<u>CREATED / REVISED BY:</u> <b>MKIPPER</b>	<u>CHECKED BY:</u> <b>JBELL</b>	<u>APPROVED BY:</u> <b>FSMITH</b>

GROUP:		A-6373-NC197-*				
PIN NUMBER:		42663-0242				
PIN LENGTH: L		.530 / (13.46)				
MATING: M		.260 / (6.60)	DIM. G		N/A	
PC TAIL: P		.145 / (3.68)	DIM T		OVERALL	
PACKAGING:		PK-6373-001 BULK				
CKTS	MATERIAL NUMBER	ENG NUMBER	CKTS	MATERIAL NUMBER	ENG NUMBER	VOID CKT
2	22-23-2023	A-6373-02C197				
3	22-23-2033	A-6373-03C197				
4	22-23-2043	A-6373-04C197				
5	22-23-2053	A-6373-05C197				
6	22-23-2063	A-6373-06C197				
7	22-23-2073	A-6373-07C197				
8	22-23-2083	A-6373-08C197				
9	22-23-2093	A-6373-09C197				
10	22-23-2103	A-6373-10C197				
11	22-23-2113	A-6373-11C197				
12	22-23-2123	A-6373-12C197				
13	22-23-2133	A-6373-13C197				
14	22-23-2143	A-6373-14C197				
15	22-23-2153	A-6373-15C197				
16	22-23-2163	A-6373-16C197				
17	22-23-2173	A-6373-17C197				
18	22-23-2183	A-6373-18C197				
19	22-23-2193	A-6373-19C197				
20	22-23-2203	A-6373-20C197				
21	22-23-2213	A-6373-21C197				
22	22-23-2223	A-6373-22C197				
23	22-23-2233	A-6373-23C197				
24	22-23-2243	A-6373-24C197				
25	22-23-2253	A-6373-25C197				
26	22-23-2263	A-6373-26C197				
27	22-23-2273	A-6373-27C197				
28	22-23-2283	A-6373-28C197				

GROUP:		A-6373-NV228-*				
PIN NUMBER:		42663-0243				
PIN LENGTH: L		.530 / (13.46)				
MATING: M		.295 / (7.49)	DIM. G		.140 / (3.56)	
PC TAIL: P		.110 / (2.79)	DIM T		.135 / (3.43)	
PACKAGING:		PK-6373-001 BULK				
CKTS	MATERIAL NUMBER	ENG NUMBER	CKTS	MATERIAL NUMBER	ENG NUMBER	VOID CKT
2	22-15-3029	A-6373-02V228				
3	22-15-3039	A-6373-03V228				
4	22-15-3049	A-6373-04V228				
5	22-15-3059	A-6373-05V228				
6	22-15-3069	A-6373-06V228				
7	22-15-3079	A-6373-07V228				
8	22-15-3089	A-6373-08V228				
9	22-15-3099	A-6373-09V228				
10	22-15-3109	A-6373-10V228				
11	22-15-3119	A-6373-11V228				
12	22-15-3129	A-6373-12V228				
13	22-15-3139	A-6373-13V228				
14	22-15-3149	A-6373-14V228				
15	22-15-3159	A-6373-15V228				
16	22-15-3169	A-6373-16V228				
17	22-15-3179	A-6373-17V228				
18	22-15-3189	A-6373-18V228				
19	22-15-3199	A-6373-19V228				
20	22-15-3209	A-6373-20V228				
21	22-15-3219	A-6373-21V228				
22	22-15-3229	A-6373-22V228				
23	22-15-3239	A-6373-23V228				
24	22-15-3249	A-6373-24V228				
25	22-15-3259	A-6373-25V228				
26	22-15-3269	A-6373-26V228				
27	22-15-3279	A-6373-27V228				
28	22-15-3289	A-6373-28V228				

REV: <b>BD5</b>	ECR/ECN INFORMATION:	TITLE: <b>KK 100 HEADER ASSEMBLY FRICTION LOCK SOLID BODY</b>	SHEET No. <b>- 3 -</b>	
	EC No.: <b>UCP2016-4061</b> DATE: <b>5/16/2016</b>			
DOCUMENT NUMBER: <b>SD - 6373 - 001</b>		CREATED / REVISED BY: <b>MKIPPER</b>	CHECKED BY: <b>JBELL</b>	APPROVED BY: <b>FSMITH</b>

GROUP:		A-6373-NE197-*				
PIN NUMBER:		42663-0682				
PIN LENGTH: L		.750 / (19.05)				
MATING: M		.260 / (6.60)	DIM. G		N/A	
PC TAIL: P		.365 / (9.27)	DIM T		OVERALL	
PACKAGING:		PK-6373-001 BULK				
CKTS	MATERIAL NUMBER	ENG NUMBER	CKTS	MATERIAL NUMBER	ENG NUMBER	VOID CKT
2	22-23-2025	A-6373-02E197				
3		A-6373-03E197				
4		A-6373-04E197				
5	22-23-2055	A-6373-05E197				
6	22-23-2065	A-6373-06E197				
7		A-6373-07E197				
8		A-6373-08E197				
9		A-6373-09E197				
10	22-23-2105	A-6373-10E197				
11		A-6373-11E197				
12		A-6373-12E197				
13		A-6373-13E197				
14		A-6373-14E197				
15	22-23-2155	A-6373-15E197				
16		A-6373-16E197				
17		A-6373-17E197				
18		A-6373-18E197				
19		A-6373-19E197				
20		A-6373-20E197				
21		A-6373-21E197				
22		A-6373-22E197				
23		A-6373-23E197				
24		A-6373-24E197				
25		A-6373-25E197				
26		A-6373-26E197				
27		A-6373-27E197				
28		A-6373-28E197				

GROUP:		A-6373-NY241-*				
PIN NUMBER:		42663-0443				
PIN LENGTH: L		.630 / (16.00)				
MATING: M		.318 / (8.08)	DIM. G		.140 / (3.56)	
PC TAIL: P		.187 / (4.75)	DIM T		.135 / (3.43)	
PACKAGING:		PK-6373-001 BULK				
CKTS	MATERIAL NUMBER	ENG NUMBER	CKTS	MATERIAL NUMBER	ENG NUMBER	VOID CKT
2	22-11-2026	A-6373-02Y241				
3	22-11-2036	A-6373-03Y241				
4	22-11-2046	A-6373-04Y241				
5	22-11-2056	A-6373-05Y241				
6	22-11-2066	A-6373-06Y241				
7	22-11-2076	A-6373-07Y241				
8	22-11-2086	A-6373-08Y241				
9	22-11-2096	A-6373-09Y241				
10	22-11-2106	A-6373-10Y241				
11	22-11-2116	A-6373-11Y241				
12	22-11-2126	A-6373-12Y241				
13	22-11-2136	A-6373-13Y241				
14	22-11-2146	A-6373-14Y241				
15	22-11-2156	A-6373-15Y241				
16	22-11-2166	A-6373-16Y241				
17	22-11-2176	A-6373-17Y241				
18	22-11-2186	A-6373-18Y241				
19	22-11-2196	A-6373-19Y241				
20	22-11-2206	A-6373-20Y241				
21	22-11-2216	A-6373-21Y241				
22	22-11-2226	A-6373-22Y241				
23	22-11-2236	A-6373-23Y241				
24	22-11-2246	A-6373-24Y241				
25	22-11-2256	A-6373-25Y241				
26	22-11-2266	A-6373-26Y241				
27	22-11-2276	A-6373-27Y241				
28	22-11-2286	A-6373-28Y241				

REV: <b>BD5</b>	ECR/ECN INFORMATION:	TITLE: <b>KK 100 HEADER ASSEMBLY FRICTION LOCK SOLID BODY</b>	SHEET No. <b>- 4 -</b>	
	EC No.: <b>UCP2016-4061</b> DATE: <b>5/16/2016</b>			
DOCUMENT NUMBER: <b>SD - 6373 - 001</b>		CREATED / REVISED BY: <b>MKIPPER</b>	CHECKED BY: <b>JBELL</b>	APPROVED BY: <b>FSMITH</b>



GROUP:		A-6373-NAB197-*				
PIN NUMBER:		42663-0582				
PIN LENGTH: L		.700 / (17.78)				
MATING: M		.286 / (7.26)	DIM. G		N/A	
PC TAIL: P		.289 / (7.34)	DIM T		OVERALL	
PACKAGING:		PK-6373-001 BULK				
CKTS	MATERIAL NUMBER	ENG NUMBER	CKTS	MATERIAL NUMBER	ENG NUMBER	VOID CKT
2		A-6373-02AB197				
3	50-29-0052	A-6373-03AB197				
4	50-29-0053	A-6373-04AB197				
5		A-6373-05AB197				
6		A-6373-06AB197				
7		A-6373-07AB197				
8	50-29-0057	A-6373-08AB197				
9		A-6373-09AB197				
10	50-29-0058	A-6373-10AB197				
11		A-6373-11AB197				
12		A-6373-12AB197				
13		A-6373-13AB197				
14		A-6373-14AB197				
15		A-6373-15AB197				
16		A-6373-16AB197				
17		A-6373-17AB197				
18		A-6373-18AB197				
19		A-6373-19AB197				
20		A-6373-20AB197				
21		A-6373-21AB197				
22		A-6373-22AB197				
23		A-6373-23AB197				
24		A-6373-24AB197				
25		A-6373-25AB197				
26		A-6373-26AB197				
27		A-6373-27AB197				
28		A-6373-28AB197				

GROUP:		A-6373-NA231-*				
PIN NUMBER:		42663-0307				
PIN LENGTH: L		.560 / (14.22)				
MATING: M		.295 / (7.49)	DIM. G		.140 / (3.56)	
PC TAIL: P		.140 / (3.56)	DIM T		.135 / (3.43)	
PACKAGING:		PK-6373-001 BULK				
CKTS	MATERIAL NUMBER	ENG NUMBER	CKTS	MATERIAL NUMBER	ENG NUMBER	VOID CKT
2	22-04-5022	A-6373-02A231				
3	46999-0800	A-6373-03A231				
4	46999-0801	A-6373-04A231				
5		A-6373-05A231				
6		A-6373-06A231				
7		A-6373-07A231				
8		A-6373-08A231				
9		A-6373-09A231				
10		A-6373-10A231				
11		A-6373-11A231				
12		A-6373-12A231				
13		A-6373-13A231				
14		A-6373-14A231				
15		A-6373-15A231				
16		A-6373-16A231				
17		A-6373-17A231				
18		A-6373-18A231				
19		A-6373-19A231				
20		A-6373-20A231				
21		A-6373-21A231				
22		A-6373-22A231				
23		A-6373-23A231				
24		A-6373-24A231				
25		A-6373-25A231				
26		A-6373-26A231				
27		A-6373-27A231				
28		A-6373-28A231				

<b>REV:</b>  <b>BD5</b>	<u>ECR/ECN INFORMATION:</u>		<u>TITLE:</u>  <b>KK 100 HEADER ASSEMBLY FRICTION LOCK SOLID BODY</b>	<u>SHEET No.</u>  <b>- 6 -</b>
	EC No.: <b>UCP2016-4061</b>			
	DATE: <b>5/16/2016</b>			
<u>DOCUMENT NUMBER:</u> <b>SD - 6373 - 001</b>		<u>CREATED / REVISED BY:</u> <b>MKIPPER</b>	<u>CHECKED BY:</u> <b>JBELL</b>	<u>APPROVED BY:</u> <b>FSMITH</b>

GROUP:		A-6373-NAH241-*				
PIN NUMBER:		42663-0305				
PIN LENGTH: L		.560 / (14.22)				
MATING: M		.260 / (6.60)	DIM. G		.140 / (3.56)	
PC TAIL: P		.175 / (4.45)	DIM T		.135 / (3.43)	
PACKAGING:		PK-6373-001 BULK				
CKTS	MATERIAL NUMBER	ENG NUMBER	CK TS	MATERIAL NUMBER	ENG NUMBER	VOID CKT
2	22-23-6024	A-6373-02AH241				
3	22-23-6034	A-6373-03AH241				
4	22-23-6044	A-6373-04AH241				
5	22-23-6054	A-6373-05AH241				
6	22-23-6064	A-6373-06AH241				
7	22-23-6074	A-6373-07AH241				
8	22-23-6084	A-6373-08AH241				
9	22-23-6094	A-6373-09AH241				
10	22-23-6104	A-6373-10AH241				
11	22-23-6114	A-6373-11AH241				
12	22-23-6124	A-6373-12AH241				
13	22-23-6134	A-6373-13AH241				
14	22-23-6144	A-6373-14AH241				
15	22-23-6154	A-6373-15AH241				
16	22-23-6164	A-6373-16AH241				
17	22-23-6174	A-6373-17AH241				
18	22-23-6184	A-6373-18AH241				
19	22-23-6194	A-6373-19AH241				
20	22-23-6204	A-6373-20AH241				
21	22-23-6214	A-6373-21AH241				
22	22-23-6224	A-6373-22AH241				
23	22-23-6234	A-6373-23AH241				
24	22-23-6244	A-6373-24AH241				
25	22-23-6254	A-6373-25AH241				
26	22-23-6264	A-6373-26AH241				
27	22-23-6274	A-6373-27AH241				
28	22-23-6284	A-6373-28AH241				

GROUP:		A-6373-NA228-*				
PIN NUMBER:		42663-0304				
PIN LENGTH: L		.560 / (14.22)				
MATING: M		.295 / (7.49)	DIM. G		.140 / (3.56)	
PC TAIL: P		.140 / (3.56)	DIM T		.135 / (3.43)	
PACKAGING:		PK-6373-001 BULK				
CKTS	MATERIAL NUMBER	ENG NUMBER	CKTS	MATERIAL NUMBER	ENG NUMBER	VOID CKT
2	22-11-2028	A-6373-02A228	09	22-11-2095	A-6373-09A228-3	3
3	22-11-2038	A-6373-03A228	09	22-11-2097	A-6373-09A228-5	5
4	22-11-2048	A-6373-04A228	05	22-11-2055	A-6373-05A228-3	3
5	22-11-2058	A-6373-05A228	11	22-11-2117	A-6373-11A228-5	5
6	22-11-2068	A-6373-06A228				
7	22-11-2078	A-6373-07A228				
8	22-11-2088	A-6373-08A228				
9	22-11-2098	A-6373-09A228				
10	22-11-2108	A-6373-10A228				
11	22-11-2118	A-6373-11A228				
12	22-11-2128	A-6373-12A228				
13	22-11-2138	A-6373-13A228				
14	22-11-2148	A-6373-14A228				
15		A-6373-15A228				
16		A-6373-16A228				
17	22-11-2178	A-6373-17A228				
18	46999-0605	A-6373-18A228				
19		A-6373-19A228				
20		A-6373-20A228				
21		A-6373-21A228				
22	22-11-2228	A-6373-22A228				
23		A-6373-23A228				
24		A-6373-24A228				
25		A-6373-25A228				
26		A-6373-26A228				
27		A-6373-27A228				
28		A-6373-28A228				

<b>REV:</b>  <b>BD5</b>	<u>ECR/ECN INFORMATION:</u>		<u>TITLE:</u>  <b>KK 100 HEADER ASSEMBLY FRICTION LOCK SOLID BODY</b>	<u>SHEET No.</u>  <b>- 7 -</b>
	EC No.: <b>UCP2016-4061</b>			
	DATE: <b>5/16/2016</b>			
<u>DOCUMENT NUMBER:</u> <b>SD - 6373 - 001</b>		<u>CREATED / REVISED BY:</u> <b>MKIPPER</b>	<u>CHECKED BY:</u> <b>JBELL</b>	<u>APPROVED BY:</u> <b>FSMITH</b>

GROUP:		A-6373-NAD197-*				
PIN NUMBER:		42663-0302				
PIN LENGTH: L		.560 / (14.22)				
MATING: M		.295 / (7.49)	DIM. G		N/A	
PC TAIL: P		.140 / (3.56)	DIM T		OVERALL	
PACKAGING:		PK-6373-001 BULK				
CKTS	MATERIAL NUMBER	ENG NUMBER	CKTS	MATERIAL NUMBER	ENG NUMBER	VOID CKT
2	22-23-2028	A-6373-02AD197				
3	22-23-2038	A-6373-03AD197				
4	22-23-2048	A-6373-04AD197				
5	22-23-2058	A-6373-05AD197				
6	22-23-2068	A-6373-06AD197				
7	22-23-2078	A-6373-07AD197				
8	22-23-2088	A-6373-08AD197				
9	22-23-2098	A-6373-09AD197				
10	22-23-2108	A-6373-10AD197				
11	22-23-2118	A-6373-11AD197				
12	22-23-2128	A-6373-12AD197				
13	22-23-2138	A-6373-13AD197				
14	22-23-2148	A-6373-14AD197				
15	22-23-2158	A-6373-15AD197				
16	22-23-2168	A-6373-16AD197				
17	22-23-2178	A-6373-17AD197				
18	22-23-2188	A-6373-18AD197				
19	22-23-2198	A-6373-19AD197				
20	22-23-2208	A-6373-20AD197				
21	22-23-2218	A-6373-21AD197				
22	22-23-2228	A-6373-22AD197				
23	22-23-2238	A-6373-23AD197				
24	22-23-2248	A-6373-24AD197				
25	22-23-2258	A-6373-25AD197				
26	22-23-2268	A-6373-26AD197				
27	22-23-2278	A-6373-27AD197				
28	22-23-2288	A-6373-28AD197				

GROUP:						
PIN NUMBER:						
PIN LENGTH: L						
MATING: M						
PC TAIL: P						
PACKAGING:						
CKTS	MATERIAL NUMBER	ENG NUMBER	CKTS	MATERIAL NUMBER	ENG NUMBER	VOID CKT
2						
3						
4						
5						
6						
7						
8						
9						
10						
11						
12						
13						
14						
15						
16						
17						
18						
19						
20						
21						
22						
23						
24						
25						
26						
27						
28						

REV: <b>BD5</b>	ECR/ECN INFORMATION:	TITLE: <b>KK 100 HEADER ASSEMBLY FRICTION LOCK SOLID BODY</b>	SHEET No. <b>- 8 -</b>	
	EC No.: <b>UCP2016-4061</b> DATE: <b>5/16/2016</b>			
DOCUMENT NUMBER: <b>SD - 6373 - 001</b>		CREATED / REVISED BY: <b>MKIPPER</b>	CHECKED BY: <b>JBELL</b>	APPROVED BY: <b>FSMITH</b>



GROUP:		A-6373-NA197-*				
PIN NUMBER:		42663-0302				
PIN LENGTH L		.560 / (14.22)				
MATING: M		.295 / (7.49)	DIM. G		N/A	
PC TAIL: P		.140 / (3.56)	DIM T		OVERALL	
PACKAGING:		PK-6373-001 BULK				
CKTS	MATERIAL NUMBER	ENG NUMBER	CKTS	MATERIAL NUMBER	ENG NUMBER	VOID CKT
2	22-23-2027	A-6373-02A197	5	22-04-6053	A-6373-05A197-3	3
3	22-23-2037	A-6373-03A197				
4	22-23-2047	A-6373-04A197				
5	22-23-2057	A-6373-05A197				
6	22-23-2067	A-6373-06A197				
7	22-23-2077	A-6373-07A197				
8	22-23-2087	A-6373-08A197				
9	22-23-2097	A-6373-09A197				
10	22-23-2107	A-6373-10A197				
11	22-23-2117	A-6373-11A197				
12	22-23-2127	A-6373-12A197				
13	22-23-2137	A-6373-13A197				
14	22-23-2147	A-6373-14A197				
15	22-23-2157	A-6373-15A197				
16	22-23-2167	A-6373-16A197				
17	22-23-2177	A-6373-17A197				
18	22-23-2187	A-6373-18A197				
19	22-23-2197	A-6373-19A197				
20	22-23-2207	A-6373-20A197				
21	22-23-2217	A-6373-21A197				
22	22-23-2227	A-6373-22A197				
23	22-23-2237	A-6373-23A197				
24	22-23-2247	A-6373-24A197				
25	22-23-2257	A-6373-25A197				
26	22-23-2267	A-6373-26A197				
27	22-23-2277	A-6373-27A197				
28	22-23-2287	A-6373-28A197				

GROUP:		A-6373-NA197A-*				
PIN NUMBER:		42663-0302				
PIN LENGTH: L		.560 / (14.22)				
MATING: M		.295 / (7.49)	DIM. G		N/A	
PC TAIL: P		.140 / (3.56)	DIM T		OVERALL	
PACKAGING:		PK-44743-001 TUBE PACK				
CKTS	MATERIAL NUMBER	ENG NUMBER	CKTS	MATERIAL NUMBER	ENG NUMBER	VOID CKT
2	22-23-6021	A-6373-02A197A	10	22-23-6106	A-6373-10A197A-2	2
3	22-23-6031	A-6373-03A197A				
4	22-23-6041	A-6373-04A197A				
5	22-23-6051	A-6373-05A197A				
6	22-23-6061	A-6373-06A197A				
7	22-23-6071	A-6373-07A197A				
8	22-23-6081	A-6373-08A197A				
9	22-23-6091	A-6373-09A197A				
10	22-23-6101	A-6373-10A197A				
11	22-23-6111	A-6373-11A197A				
12	22-23-6121	A-6373-12A197A				
13	22-23-6131	A-6373-13A197A				
14	22-23-6141	A-6373-14A197A				
15	22-23-6151	A-6373-15A197A				
16	22-23-6161	A-6373-16A197A				
17	22-23-6171	A-6373-17A197A				
18	22-23-6181	A-6373-18A197A				
19	22-23-6191	A-6373-19A197A				
20	22-23-6201	A-6373-20A197A				
21	22-23-6211	A-6373-21A197A				
22	22-23-6221	A-6373-22A197A				
23	22-23-6231	A-6373-23A197A				
24	22-23-6241	A-6373-24A197A				
25	22-23-6251	A-6373-25A197A				
26	22-23-6261	A-6373-26A197A				
27	22-23-6271	A-6373-27A197A				
28	22-23-6281	A-6373-28A197A				

REV:	ECR/ECN INFORMATION:	TITLE:	<p align="center"><b>KK 100 HEADER ASSEMBLY FRICTION LOCK SOLID BODY</b></p>		SHEET No.
<b>BD5</b>	EC No.: <b>UCP2016-4061</b>				<b>- 9 -</b>
	DATE: <b>5/16/2016</b>				
DOCUMENT NUMBER:		CREATED / REVISED BY:	CHECKED BY:	APPROVED BY:	
<b>SD - 6373 - 001</b>		<b>MKIPPER</b>	<b>JBELL</b>	<b>FSMITH</b>	

GROUP:		A-6373-NAF197-*				
PIN NUMBER:		42663-0182				
PIN LENGTH: L		.500 / (12.70)				
MATING:	M	.260 / (6.60)	DIM. G	N/A		
PC TAIL:	P	.115 / (2.92)	DIM T	OVERALL		
PACKAGING:		PK-6373-001 BULK				
CKTS	MATERIAL NUMBER	ENG NUMBER	CKTS	MATERIAL NUMBER	ENG NUMBER	VOID CKT
2	22-23-2020	A-6373-02AF197				
3	22-23-2030	A-6373-03AF197				
4	22-23-2040	A-6373-04AF197				
5	22-23-2050	A-6373-05AF197				
6	22-23-2060	A-6373-06AF197				
7	22-23-2070	A-6373-07AF197				
8	22-23-2080	A-6373-08AF197				
9	22-23-2090	A-6373-09AF197				
10	22-23-2100	A-6373-10AF197				
11	22-23-2110	A-6373-11AF197				
12	22-23-2120	A-6373-12AF197				
13	22-23-2130	A-6373-13AF197				
14	22-23-2140	A-6373-14AF197				
15	22-23-2150	A-6373-15AF197				
16	22-23-2160	A-6373-16AF197				
17	22-23-2170	A-6373-17AF197				
18	22-23-2180	A-6373-18AF197				
19	22-23-2190	A-6373-19AF197				
20	22-23-2200	A-6373-20AF197				
21	22-23-2210	A-6373-21AF197				
22	22-23-2220	A-6373-22AF197				
23	22-23-2230	A-6373-23AF197				
24	22-23-2240	A-6373-24AF197				
25	22-23-2250	A-6373-25AF197				
26	22-23-2260	A-6373-26AF197				
27	22-23-2270	A-6373-27AF197				
28	22-23-2280	A-6373-28AF197				

GROUP:		A-6373-NAG197-*				
PIN NUMBER:		42663-0182				
PIN LENGTH: L		.500 / (12.70)				
MATING:	M	.301 / (7.65)	DIM. G	N/A		
PC TAIL:	P	.074 / (1.88)	DIM T	OVERALL		
PACKAGING:		PK-6373-001 BULK				
CKTS	MATERIAL NUMBER	ENG NUMBER	CKTS	MATERIAL NUMBER	ENG NUMBER	VOID CKT
2	22-23-2022	A-6373-02AG197				
3	22-23-2032	A-6373-03AG197				
4	22-23-2042	A-6373-04AG197				
5	22-23-2052	A-6373-05AG197				
6	22-23-2062	A-6373-06AG197				
7	22-23-2072	A-6373-07AG197				
8	22-23-2082	A-6373-08AG197				
9	22-23-2092	A-6373-09AG197				
10	22-23-2102	A-6373-10AG197				
11	22-23-2112	A-6373-11AG197				
12	22-23-2122	A-6373-12AG197				
13	22-23-2132	A-6373-13AG197				
14	22-23-2142	A-6373-14AG197				
15	22-23-2152	A-6373-15AG197				
16	22-23-2162	A-6373-16AG197				
17	22-23-2172	A-6373-17AG197				
18	22-23-2182	A-6373-18AG197				
19	22-23-2192	A-6373-19AG197				
20	22-23-2202	A-6373-20AG197				
21	22-23-2212	A-6373-21AG197				
22	22-23-2222	A-6373-22AG197				
23	22-23-2232	A-6373-23AG197				
24	22-23-2242	A-6373-24AG197				
25	22-23-2252	A-6373-25AG197				
26	22-23-2262	A-6373-26AG197				
27	22-23-2272	A-6373-27AG197				
28	22-23-2282	A-6373-28AG197				

REV:	<u>ECR/ECN INFORMATION:</u>	<u>TITLE:</u>	<b>KK 100 HEADER ASSEMBLY FRICTION LOCK SOLID BODY</b>	<u>SHEET No.</u>
<b>BD5</b>	EC No.: <b>UCP2016-4061</b>			<b>- 10 -</b>
	DATE: <b>5/16/2016</b>			
<u>DOCUMENT NUMBER:</u>		<u>CREATED / REVISED BY:</u>	<u>CHECKED BY:</u>	<u>APPROVED BY:</u>
<b>SD - 6373 - 001</b>		<b>MKIPPER</b>	<b>JBELL</b>	<b>FSMITH</b>

GROUP:		A-6373-NAH197-*				
PIN NUMBER:		42663-0302				
PIN LENGTH: L		.560 / (14.22)				
MATING: M		.260 / (6.60)	DIM. G		N/A	
PC TAIL: P		.175 / (4.45)	DIM T		OVERALL	
PACKAGING:		PK-6373-001 BULK				
CKTS	MATERIAL NUMBER	ENG NUMBER	CKTS	MATERIAL NUMBER	ENG NUMBER	VOID CKT
2	22-23-3020	A-6373-02AH197				
3	22-23-3030	A-6373-03AH197				
4	22-23-3040	A-6373-04AH197				
5	22-23-3050	A-6373-05AH197				
6	22-23-3060	A-6373-06AH197				
7	22-23-3070	A-6373-07AH197				
8	22-23-3080	A-6373-08AH197				
9	22-23-3090	A-6373-09AH197				
10	22-23-3100	A-6373-10AH197				
11	22-23-3110	A-6373-11AH197				
12	22-23-3120	A-6373-12AH197				
13	22-23-3130	A-6373-13AH197				
14	22-23-3140	A-6373-14AH197				
15	22-23-3150	A-6373-15AH197				
16	22-23-3160	A-6373-16AH197				
17	22-23-3170	A-6373-17AH197				
18	22-23-3180	A-6373-18AH197				
19	22-23-3190	A-6373-19AH197				
20	22-23-3200	A-6373-20AH197				
21	22-23-3210	A-6373-21AH197				
22	22-23-3220	A-6373-22AH197				
23	22-23-3230	A-6373-23AH197				
24	22-23-3240	A-6373-24AH197				
25	22-23-3250	A-6373-25AH197				
26	22-23-3260	A-6373-26AH197				
27	22-23-3270	A-6373-27AH197				
28	22-23-3280	A-6373-28AH197				

GROUP:		A-6373-NAJ197-*				
PIN NUMBER:		42663-0342				
PIN LENGTH: L		.580 / (14.73)				
MATING: M		.300 / (7.62)	DIM. G		N/A	
PC TAIL: P		.155 / (3.94)	DIM T		OVERALL	
PACKAGING:		PK-6373-001 BULK				
CKTS	MATERIAL NUMBER	ENG NUMBER	CKTS	MATERIAL NUMBER	ENG NUMBER	VOID CKT
2	22-23-3023	A-6373-02AJ197	05	22-04-6052	A-6373-05AJ197-1	1
3	22-23-3033	A-6373-03AJ197	06	22-04-6062	A-6373-06AJ197-2	2
4	22-23-3043	A-6373-04AJ197				
5	22-23-3053	A-6373-05AJ197				
6	22-23-3063	A-6373-06AJ197				
7		A-6373-07AJ197				
8	22-23-3083	A-6373-08AJ197				
9	22-23-3093	A-6373-09AJ197				
10	22-23-3103	A-6373-10AJ197				
11		A-6373-11AJ197				
12		A-6373-12AJ197				
13		A-6373-13AJ197				
14		A-6373-14AJ197				
15	22-23-3153	A-6373-15AJ197				
16	22-23-3163	A-6373-16AJ197				
17		A-6373-17AJ197				
18		A-6373-18AJ197				
19		A-6373-19AJ197				
20	22-23-3203	A-6373-20AJ197				
21		A-6373-21AJ197				
22		A-6373-22AJ197				
23		A-6373-23AJ197				
24		A-6373-24AJ197				
25		A-6373-25AJ197				
26		A-6373-26AJ197				
27		A-6373-27AJ197				
28		A-6373-28AJ197				

<b>REV:</b>  <b>BD5</b>	<u>ECR/ECN INFORMATION:</u>		<u>TITLE:</u>  <b>KK 100 HEADER ASSEMBLY FRICTION LOCK SOLID BODY</b>	<u>SHEET No.</u>  <b>- 11 -</b>
	EC No.: <b>UCP2016-4061</b>			
	DATE: <b>5/16/2016</b>			
<u>DOCUMENT NUMBER:</u> <b>SD - 6373 - 001</b>		<u>CREATED / REVISED BY:</u> <b>MKIPPER</b>	<u>CHECKED BY:</u> <b>JBELL</b>	<u>APPROVED BY:</u> <b>FSMITH</b>

GROUP:		A-6373-NA241A-*				
PIN NUMBER:		42663-0305				
PIN LENGTH: L		.560 / (14.22)				
MATING: M		.295 / (7.49)	DIM. G		.140 / (3.56)	
PC TAIL: P		.140 / (3.56)	DIM T		.135 / (3.43)	
PACKAGING:		PK-44743-001 TUBE PACK				
CKTS	MATERIAL NUMBER	ENG NUMBER	CKTS	MATERIAL NUMBER	ENG NUMBER	VOID CKT
2						
3	22-23-1035	A-6373-03A241A				
4	22-23-1045	A-6373-04A241A				
5	22-23-1055	A-6373-05A241A				
6	22-23-1065	A-6373-06A241A				
7	22-23-1075	A-6373-07A241A				
8	22-23-1085	A-6373-08A241A				
9	22-23-1095	A-6373-09A241A				
10	22-23-1105	A-6373-10A241A				
11	22-23-1115	A-6373-11A241A				
12	22-23-1125	A-6373-12A241A				
13	22-23-1135	A-6373-13A241A				
14	22-23-1145	A-6373-14A241A				
15	22-23-1155	A-6373-15A241A				
16	22-23-1165	A-6373-16A241A				
17	22-23-1175	A-6373-17A241A				
18	22-23-1185	A-6373-18A241A				
19	22-23-1195	A-6373-19A241A				
20	22-23-1205	A-6373-20A241A				
21	22-23-1211	A-6373-21A241A				
22	22-23-1222	A-6373-22A241A				
23	22-23-1233	A-6373-23A241A				
24	22-23-1244	A-6373-24A241A				
25	22-23-1255	A-6373-25A241A				
26	22-23-1266	A-6373-26A241A				
27	22-23-1277	A-6373-27A241A				
28	22-23-1288	A-6373-28A241A				

GROUP:		A-6373-NAL197-*				
PIN NUMBER:		42663-1182				
PIN LENGTH: L		1.000 / (25.40)				
MATING: M		.295 / (7.49)	DIM. G		N/A	
PC TAIL: P		.580 / (14.73)	DIM T		OVERALL	
PACKAGING:		PK-6373-001 BULK				
CKTS	MATERIAL NUMBER	ENG NUMBER	CKTS	MATERIAL NUMBER	ENG NUMBER	VOID CKT
2			06	22-04-6066	A-6373-06AL197-2	2
3	22-23-6032	A-6373-03AL197	06	22-04-6067	A-6373-06AL197-3	3
4	22-23-6042	A-6373-04AL197				
5	22-23-6052	A-6373-05AL197				
6	22-23-6062	A-6373-06AL197				
7	22-23-6072	A-6373-07AL197				
8	22-23-6082	A-6373-08AL197				
9	22-23-6092	A-6373-09AL197				
10	22-23-6102	A-6373-10AL197				
11	22-23-6112	A-6373-11AL197				
12	22-23-6122	A-6373-12AL197				
13	22-23-6132	A-6373-13AL197				
14	22-23-6142	A-6373-14AL197				
15	22-23-6152	A-6373-15AL197				
16	22-23-6162	A-6373-16AL197				
17	22-23-6172	A-6373-17AL197				
18	22-23-6182	A-6373-18AL197				
19	22-23-6192	A-6373-19AL197				
20	22-23-6202	A-6373-20AL197				
21	22-23-6212	A-6373-21AL197				
22	22-23-6222	A-6373-22AL197				
23	22-23-6232	A-6373-23AL197				
24	22-23-6242	A-6373-24AL197				
25	22-23-6252	A-6373-25AL197				
26	22-23-6262	A-6373-26AL197				
27	22-23-6272	A-6373-27AL197				
28	22-23-6282	A-6373-28AL197				

REV:	ECR/ECN INFORMATION:	TITLE:	SHEET No.
<b>BD5</b>	EC No.: UCP2016-4061	<b>KK 100 HEADER ASSEMBLY FRICTION LOCK SOLID BODY</b>	<b>- 12 -</b>
	DATE: 5/16/2016		
DOCUMENT NUMBER:	CREATED / REVISED BY:	CHECKED BY:	APPROVED BY:
<b>SD - 6373 - 001</b>	<b>MKIPPER</b>	<b>JBELL</b>	<b>FSMITH</b>

GROUP:		A-6373-NAM197-*				
PIN NUMBER:		42663-0222				
PIN LENGTH: L		.520 / (13.21)				
MATING: M		.305 / (7.75)	DIM. G		N/A	
PC TAIL: P		.090 / (2.29)	DIM T		OVERALL	
PACKAGING:		PK-6373-001 BULK				
CKTS	MATERIAL NUMBER	ENG NUMBER	CKTS	MATERIAL NUMBER	ENG NUMBER	VOID CKT
2	22-23-6023	A-6373-02AM197				
3	22-23-6033	A-6373-03AM197				
4	22-23-6043	A-6373-04AM197				
5	22-23-6053	A-6373-05AM197				
6	22-23-6063	A-6373-06AM197				
7	22-23-6073	A-6373-07AM197				
8	22-23-6083	A-6373-08AM197				
9	22-23-6093	A-6373-09AM197				
10	22-23-6103	A-6373-10AM197				
11	22-23-6113	A-6373-11AM197				
12	22-23-6123	A-6373-12AM197				
13	22-23-6133	A-6373-13AM197				
14	22-23-6143	A-6373-14AM197				
15	22-23-6153	A-6373-15AM197				
16	22-23-6163	A-6373-16AM197				
17	22-23-6173	A-6373-17AM197				
18	22-23-6183	A-6373-18AM197				
19	22-23-6193	A-6373-19AM197				
20	22-23-6203	A-6373-20AM197				
21	22-23-6213	A-6373-21AM197				
22	22-23-6223	A-6373-22AM197				
23	22-23-6233	A-6373-23AM197				
24	22-23-6243	A-6373-24AM197				
25	22-23-6253	A-6373-25AM197				
26	22-23-6263	A-6373-26AM197				
27	22-23-6273	A-6373-27AM197				
28	22-23-6283	A-6373-28AM197				

GROUP:		A-6373-NAM241-*				
PIN NUMBER:		42663-0223				
PIN LENGTH: L		.520 / (13.21)				
MATING: M		.305 / (7.75)	DIM. G		.140 / (3.56)	
PC TAIL: P		.090 / (2.29)	DIM T		.135 / (3.43)	
PACKAGING:		PK-6373-001 BULK				
CKTS	MATERIAL NUMBER	ENG NUMBER	CKTS	MATERIAL NUMBER	ENG NUMBER	VOID CKT
2	22-23-6025	A-6373-02AM241				
3	22-23-6035	A-6373-03AM241				
4	22-23-6045	A-6373-04AM241				
5	22-23-6055	A-6373-05AM241				
6	22-23-6065	A-6373-06AM241				
7	22-23-6075	A-6373-07AM241				
8	22-23-6085	A-6373-08AM241				
9	22-23-6095	A-6373-09AM241				
10	22-23-6105	A-6373-10AM241				
11	22-23-6115	A-6373-11AM241				
12	22-23-6125	A-6373-12AM241				
13	22-23-6135	A-6373-13AM241				
14	22-23-6145	A-6373-14AM241				
15	22-23-6155	A-6373-15AM241				
16	22-23-6165	A-6373-16AM241				
17	22-23-6175	A-6373-17AM241				
18	22-23-6185	A-6373-18AM241				
19	22-23-6195	A-6373-19AM241				
20	22-23-6205	A-6373-20AM241				
21	22-23-6215	A-6373-21AM241				
22	22-23-6225	A-6373-22AM241				
23	22-23-6235	A-6373-23AM241				
24	22-23-6245	A-6373-24AM241				
25	22-23-6255	A-6373-25AM241				
26	22-23-6265	A-6373-26AM241				
27	22-23-6275	A-6373-27AM241				
28	22-23-6285	A-6373-28AM241				

REV: <b>BD5</b>	ECR/ECN INFORMATION:	TITLE: <b>KK 100 HEADER ASSEMBLY FRICTION LOCK SOLID BODY</b>	SHEET No. <b>- 13 -</b>	
	EC No.: <b>UCP2016-4061</b> DATE: <b>5/16/2016</b>			
DOCUMENT NUMBER: <b>SD - 6373 - 001</b>		CREATED / REVISED BY: <b>MKIPPER</b>	CHECKED BY: <b>JBELL</b>	APPROVED BY: <b>FSMITH</b>

GROUP:		A-6373-NAN241-*				
PIN NUMBER:		42663-0443				
PIN LENGTH: L		.630 / (16.00)				
MATING: M		.300 / (7.62)	DIM. G		.140 / (3.56)	
PC TAIL: P		.205 / (5.21)	DIM T		.135 / (3.43)	
PACKAGING:		PK-6373-001 BULK				
CKTS	MATERIAL NUMBER	ENG NUMBER	CKTS	MATERIAL NUMBER	ENG NUMBER	VOID CKT
2		A-6373-02AN241				
3		A-6373-03AN241				
4	22-23-6047	A-6373-04AN241				
5		A-6373-05AN241				
6		A-6373-06AN241				
7		A-6373-07AN241				
8		A-6373-08AN241				
9		A-6373-09AN241				
10		A-6373-10AN241				
11		A-6373-11AN241				
12		A-6373-12AN241				
13		A-6373-13AN241				
14		A-6373-14AN241				
15		A-6373-15AN241				
16		A-6373-16AN241				
17		A-6373-17AN241				
18		A-6373-18AN241				
19		A-6373-19AN241				
20		A-6373-20AN241				
21		A-6373-21AN241				
22		A-6373-22AN241				
23		A-6373-23AN241				
24		A-6373-24AN241				
25		A-6373-25AN241				
26		A-6373-26AN241				
27		A-6373-27AN241				
28		A-6373-28AN241				

GROUP:		A-6373-NAB241-*				
PIN NUMBER:		42663-0583				
PIN LENGTH: L		.700 / (17.78)				
MATING: M		.286 / (7.26)	DIM. G		.200 / (5.08)	
PC TAIL: P		.289 / (7.34)	DIM T		.135 / (3.43)	
PACKAGING:		PK-6373-001 BULK				
CKTS	MATERIAL NUMBER	ENG NUMBER	CKTS	MATERIAL NUMBER	ENG NUMBER	VOID CKT
2	50-29-1746	A-6373-02AB241				
3		A-6373-03AB241				
4		A-6373-04AB241				
5		A-6373-05AB241				
6		A-6373-06AB241				
7		A-6373-07AB241				
8	50-29-1741	A-6373-08AB241				
9		A-6373-09AB241				
10	50-29-1742	A-6373-10AB241				
11		A-6373-11AB241				
12		A-6373-12AB241				
13		A-6373-13AB241				
14		A-6373-14AB241				
15		A-6373-15AB241				
16		A-6373-16AB241				
17		A-6373-17AB241				
18		A-6373-18AB241				
19		A-6373-19AB241				
20		A-6373-20AB241				
21		A-6373-21AB241				
22		A-6373-22AB241				
23		A-6373-23AB241				
24		A-6373-24AB241				
25		A-6373-25AB241				
26		A-6373-26AB241				
27		A-6373-27AB241				
28		A-6373-28AB241				

<b>REV:</b>  <b>BD5</b>	<u>ECR/ECN INFORMATION:</u>		<u>TITLE:</u>  <b>KK 100 HEADER ASSEMBLY FRICTION LOCK SOLID BODY</b>	<u>SHEET No.</u>  <b>- 14 -</b>
	EC No.: <b>UCP2016-4061</b>			
	DATE: <b>5/16/2016</b>			
<u>DOCUMENT NUMBER:</u> <b>SD - 6373 - 001</b>		<u>CREATED / REVISED BY:</u> <b>MKIPPER</b>	<u>CHECKED BY:</u> <b>JBELL</b>	<u>APPROVED BY:</u> <b>FSMITH</b>

GROUP:		A-6373-NAN197-*				
PIN NUMBER:		42663-0442				
PIN LENGTH: L		.630 / (16.00)				
MATING: M	.300 / (7.62)	DIM. G		N/A		
PC TAIL: P	.205 / (5.21)	DIM T		OVERALL		
PACKAGING:		PK-6373-001 BULK				
CKTS	MATERIAL NUMBER	ENG NUMBER	CKTS	MATERIAL NUMBER	ENG NUMBER	VOID CKT
2			9	50-34-8527	A-6373-09AN197-7	7
3						
4	50-36-1696	A-6373-04AN197				
5						
6						
7						
8						
9						
10						
11						
12						
13						
14						
15						
16						
17						
18						
19						
20						
21						
22						
23						
24						
25						
26						
27						
28						

GROUP:		A-6373-NA154-*				
PIN NUMBER:		42663-0309				
PIN LENGTH: L		.560 / (14.22)				
MATING: M	.295 / (7.49)	DIM. G		N/A		
PC TAIL: P	.140 / (3.56)	DIM T		OVERALL		
PACKAGING:		PK-6373-001 BULK				
CKTS	MATERIAL NUMBER	ENG NUMBER	CKTS	MATERIAL NUMBER	ENG NUMBER	VOID CKT
2			9	26-01-3183	A-6373-09A154-7	7
3						
4						
5						
6						
7						
8						
9						
10						
11						
12						
13						
14						
15						
16						
17						
18						
19						
20						
21						
22						
23						
24						
25						
26						
27						
28						

REV: <b>BD5</b>	ECR/ECN INFORMATION:	TITLE: <b>KK 100 HEADER ASSEMBLY FRICTION LOCK SOLID BODY</b>	SHEET No. <b>- 15 -</b>	
	EC No.: <b>UCP2016-4061</b> DATE: <b>5/16/2016</b>			
DOCUMENT NUMBER: <b>SD - 6373 - 001</b>		CREATED / REVISED BY: <b>MKIPPER</b>	CHECKED BY: <b>JBELL</b>	APPROVED BY: <b>FSMITH</b>