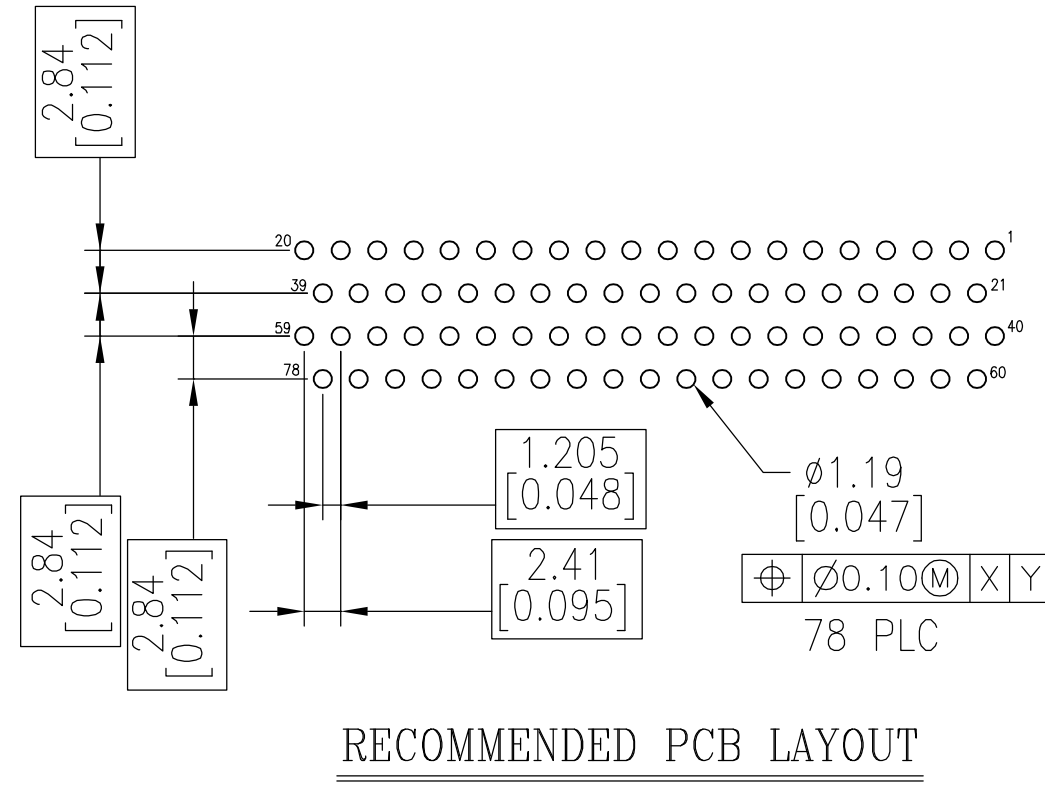
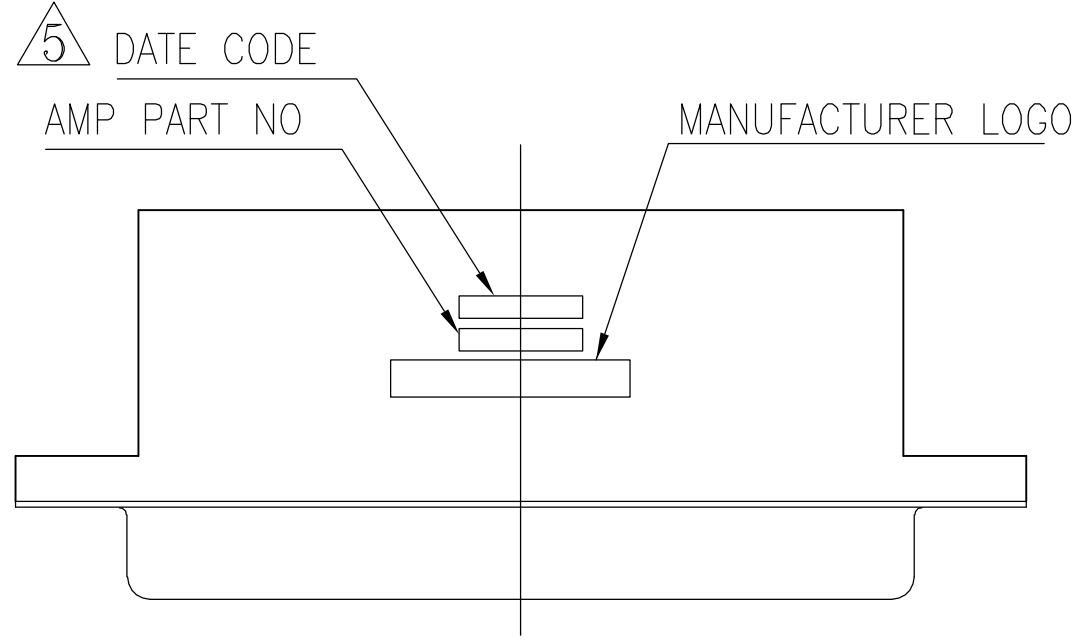


THIS DRAWING IS UNPUBLISHED. RELEASED FOR PUBLICATION
 © COPYRIGHT BY TYCO ELECTRONICS CORPORATION. ALL RIGHTS RESERVED.

LOC		DIST		REVISIONS			
P	LTR	DESCRIPTION	DATE	DWN	APVD		
GP	00	0	RELEASED PER EC 0513-0056-05	20JUN05	BM	SB	

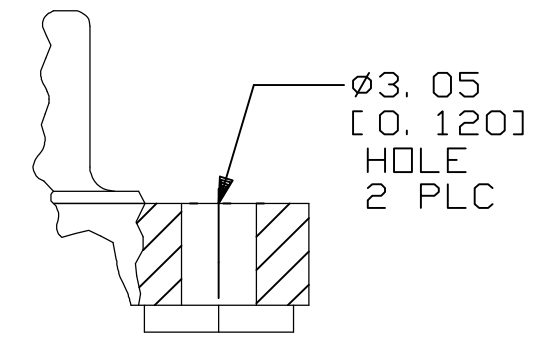
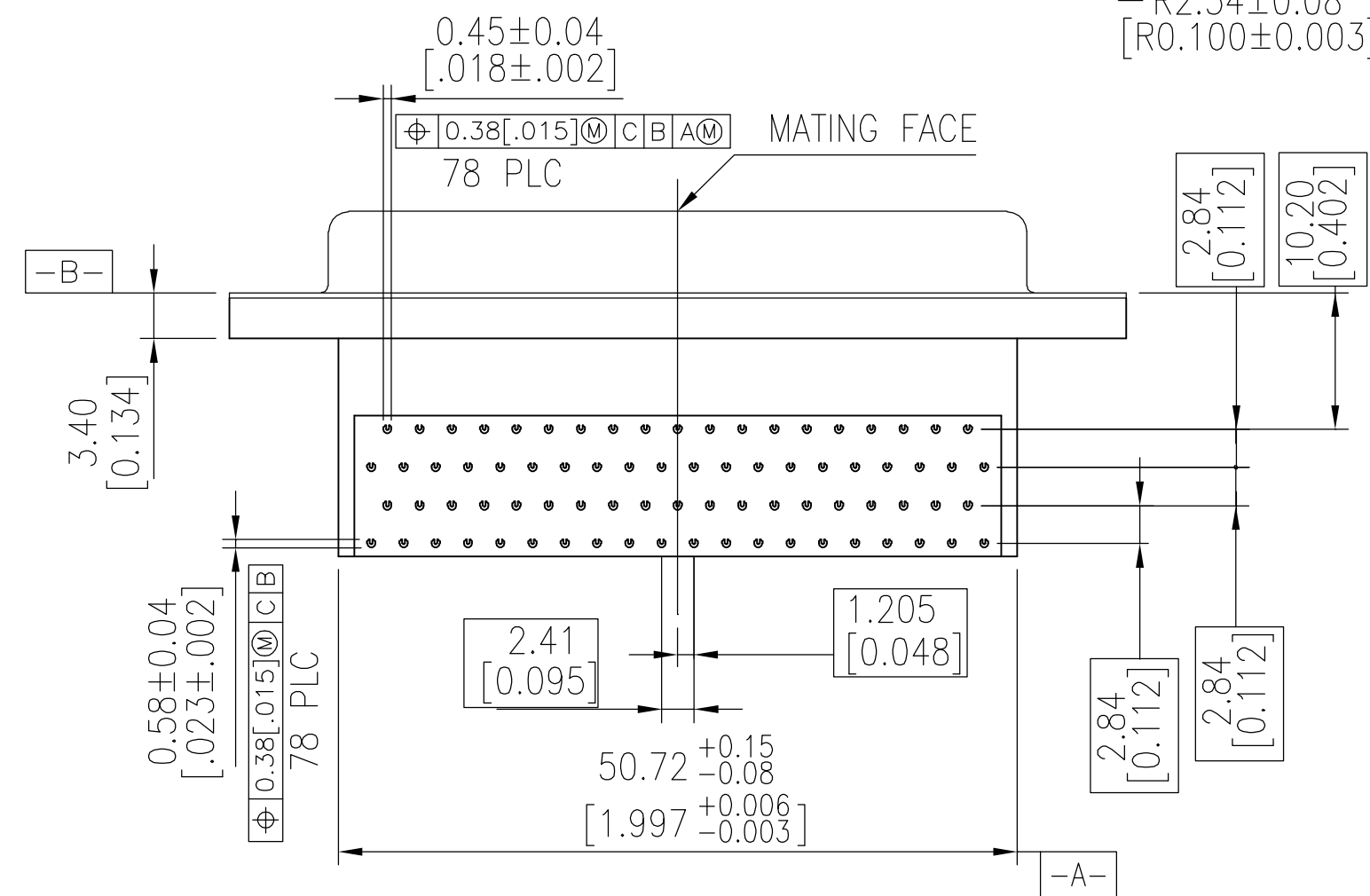
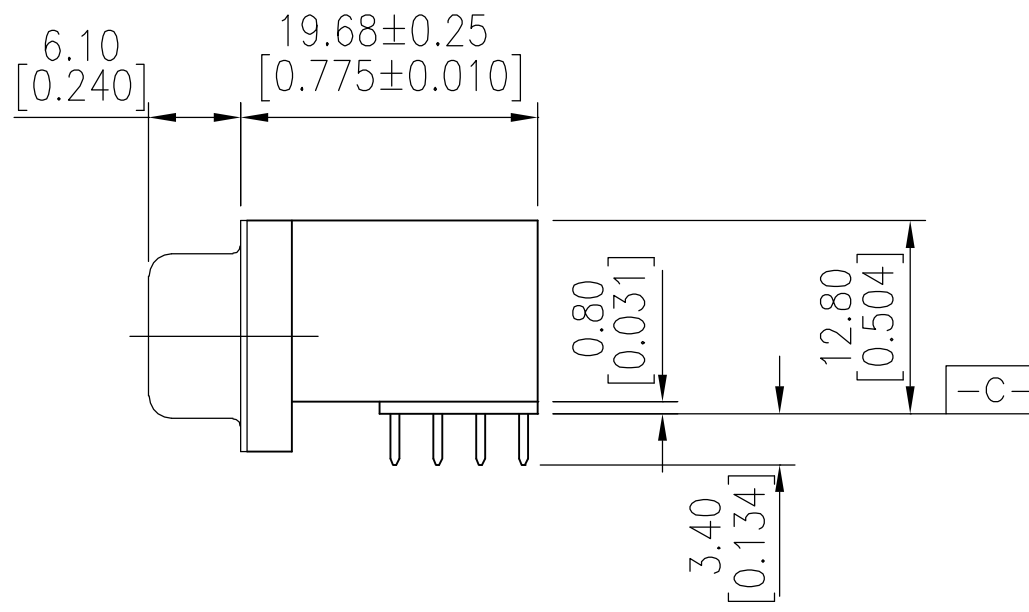
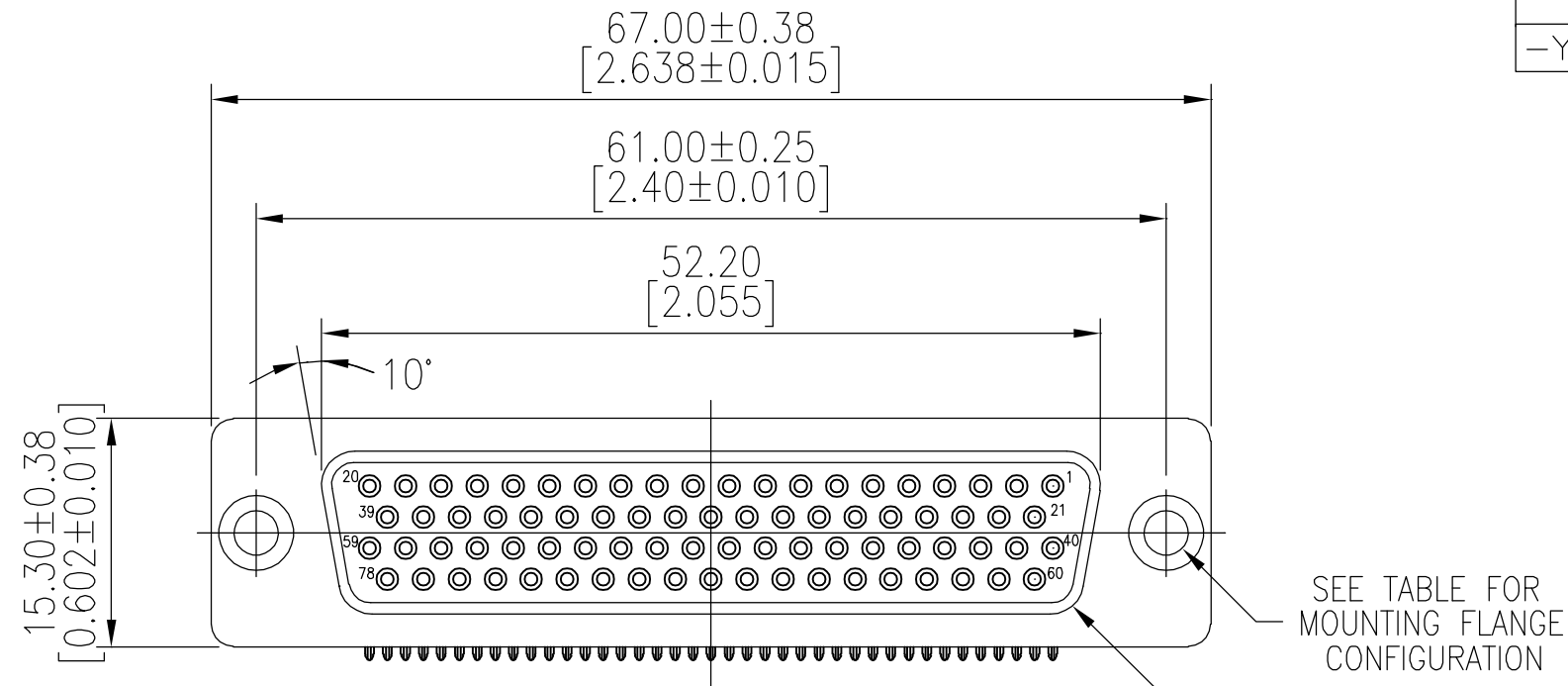


1. HOUSING MATERIAL: PBT, GLASS FILLED, BLACK, UL 94V-0 RATED.
2. CONTACT MATERIAL: PHOSPHOR BRONZE.
3. CONTACT FINISH: GOLD PLATE IN MATING AREA (SEE TABLE), 120μ" MIN TIN PLATE ON SOLDER TAIL, BOTH OVER 50μ" MIN NICKEL UNDERPLATE.
4. SHELL: STEEL, NICKEL PLATE.

△ FIVE DIGIT DATE CODE IN THIS FORMAT.

Year 01 45 Manufacturing Week

△ DATUMS -X- & -Y- TO BE ESTABLISHED BY CUSTOMER.



Detail A

Tray	Detail A	Gold flash	5788147-3
Tray	Detail A	15μ" MIN	5788147-2
Tray	Detail A	30μ" MIN	5788147-1
Packaging	Mounting Flange Configuration	CONTACT MATING AREA FINISH	PART NUMBER

DIMENSIONS:		TOLERANCES UNLESS OTHERWISE SPECIFIED:		APVD		NAME	
mm		0 PLC ± -		M. WALMSLEY	22SEP05	B. MCMASTER	
		1 PLC ± 0.30				S. BOLASH	
		2 PLC ± 0.20				M. WALMSLEY	
		3 PLC ± 0.10				APVD	
		4 PLC ± -				M. WALMSLEY	
		ANGLES ± 2'				PRODUCT SPEC	
		FINISH				APPLICATION SPEC	
MATERIAL						SIZE	CAGE CODE
						A2	00779
						DRAWING NO	RESTRICTED TO
						C=5788147	
						SCALE	SHEET
						4:1	1 of 1
						REV	0