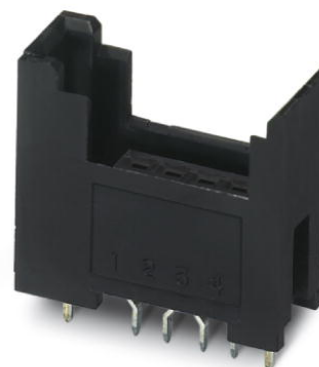


# CIOC 4-1-FV-A


Order No.: 1701388



<http://eshop.phoenixcontact.de/phoenix/treeViewClick.do?UID=1701388>

Header, Nominal current: 3 A, Number of positions: 4, Pitch: 2 mm,  
Color: black, Metal surface: Au, Assembly: Soldering

## Commercial data

GTIN (EAN)	
sales group	E194
Pack	100 pcs.
Customs tariff	85366990
Catalog page information	Page 177 (NTK-2010)

## Product notes

WEEE/RoHS-compliant since:  
02/25/2005



<http://www.download.phoenixcontact.com>  
Please note that the data given here has been taken from the online catalog. For comprehensive information and data, please refer to the user documentation. The General Terms and Conditions of Use apply to Internet downloads.

## Technical data

### Dimensions / positions

Pitch	2 mm
Dimension a	6 mm
Number of positions	4
Pin spacing	2.00 mm

**Technical data**

Range of articles	CIOC-FV
Connection in acc. with standard	EN-VDE
Nominal current $I_N$	3 A
Nominal voltage $U_N$	32 V
Maximum load current	3 A
Insulating material	PA
Inflammability class acc. to UL 94	V0

**Certificates / Approvals**

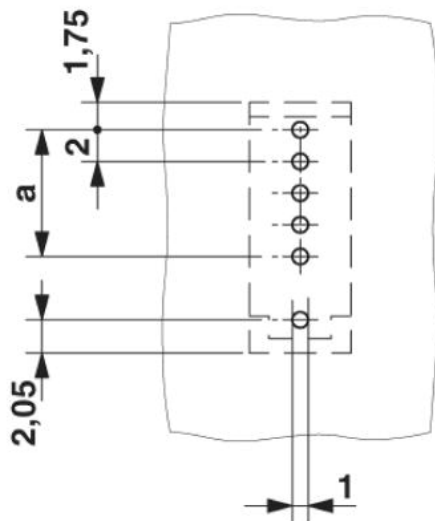


Certification

CUL, UL

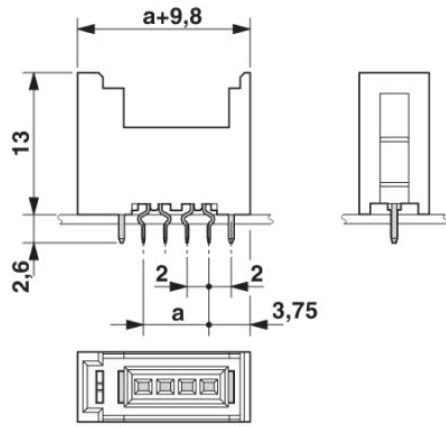
**Diagrams/Drawings**

Drilling plan/solder pad geometry



Dimensioned drawing

---



**Address**

PHOENIX CONTACT Deutschland GmbH  
Flachmarktstr. 8  
32825 Blomberg, Germany  
Phone +49 5235 3 12000  
Fax +49 5235 3 41200  
<http://www.phoenixcontact.de>



© 2010 Phoenix Contact  
Technical modifications reserved;