



PRODUCT DATASHEET

Cute series

last update 14/7/2016

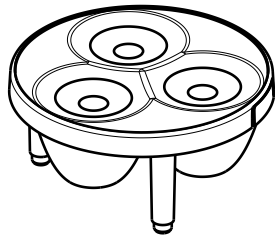
DETAILS

Product Number	C10429_CUTE-3-W
Family	Cute
Type	Lens array
Color	clear
Diameter	35 mm
Height	15 mm
Style	round
Optic Material	PMMA
Holder Material	
Fastening	pin, glue
Status	production ready
ROHS Compliant	Yes
Date Updated	14/07/2016

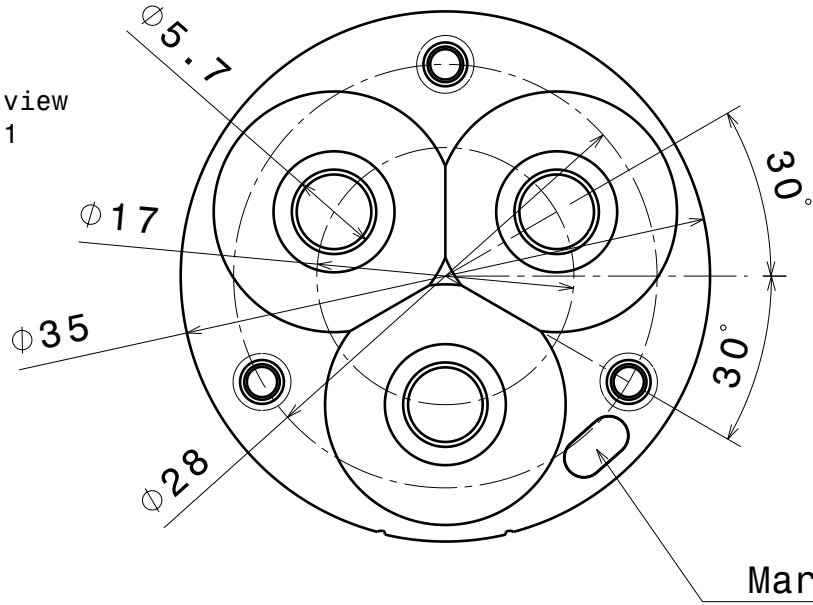


OPTICAL PROPERTIES

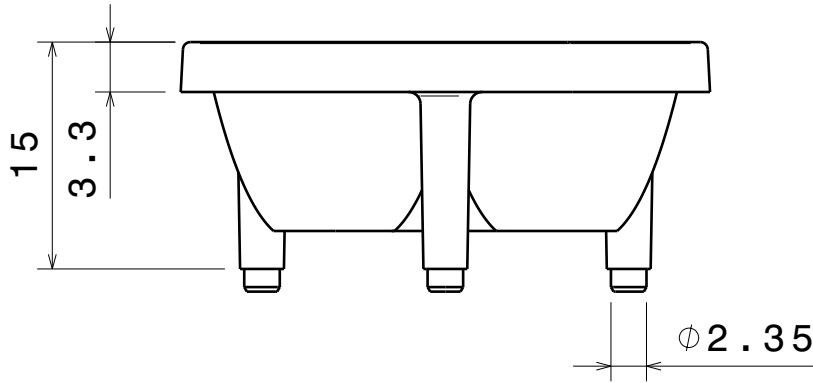
LED	Viewing Angle	Light Beam	Efficiency	cd/lm	Connector
XR-E	34 deg	Wide	-	2.030	-



Isometric view
Scale: 1:1



Bottom view



Front view

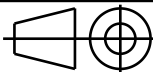
INDEX	PART NO	DESCRIPTION	MATERIAL	COLOUR
1	C10429	CUTE-3-W	PMMA	

Tolerances if not otherwise shown
According to DIN ISO 2768-1
Linear measures:
Up to 30mm class M, otherwise class C.
According to DIN ISO 2768-2
Form and position: class L

LEDiL

Ledil Oy
Salorankatu 10
FIN 24240 SALO
Finland

THIRD ANGLE PROJECTION:



DRAWING TITLE

C10429_CUTE-3-W

This drawing is the property
of LEDiL Oy. It may not be
reproduced, copied or
communicated without a written
agreement with LEDiL Oy.

SIZE PART NUMBER

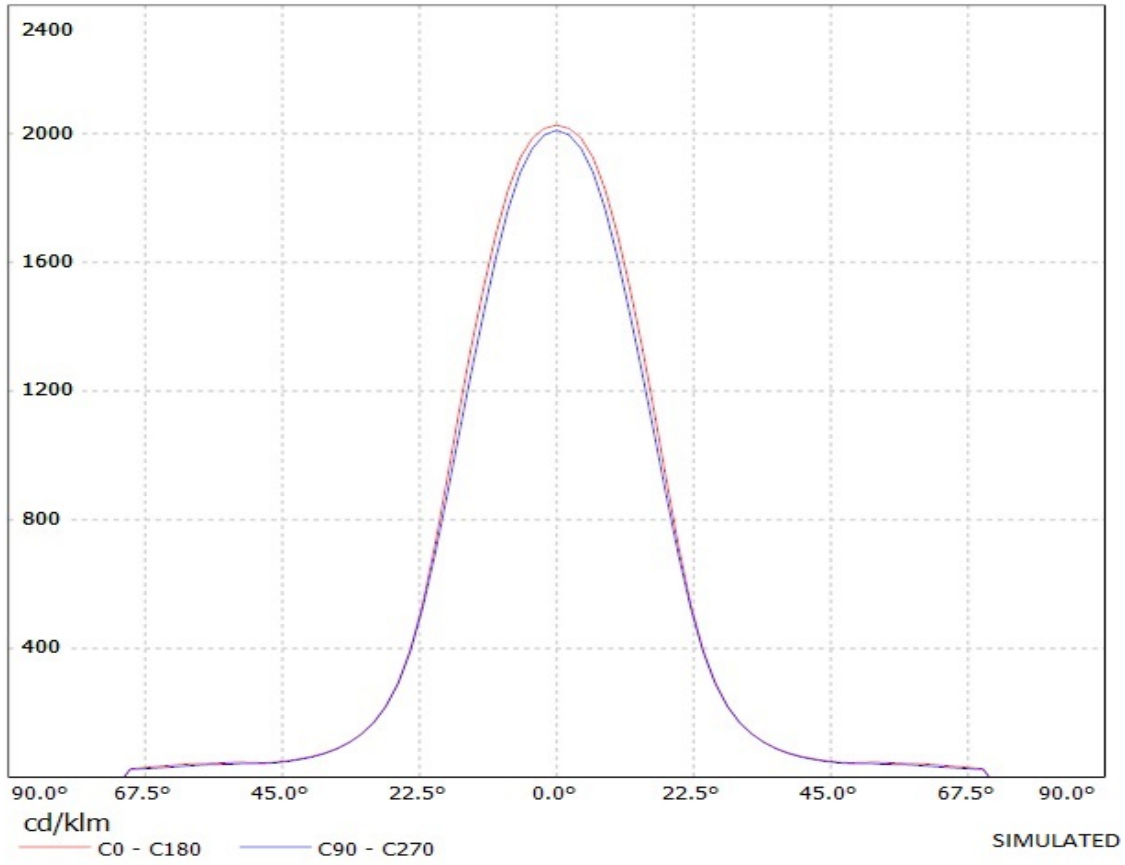
A4

C10429

SCALE 1:1 WEIGHT 7,38 g SHEET 1/1

Ledil Oy C10429_Cute-3-W C10429_Cute-3-W / LDC (Linear)

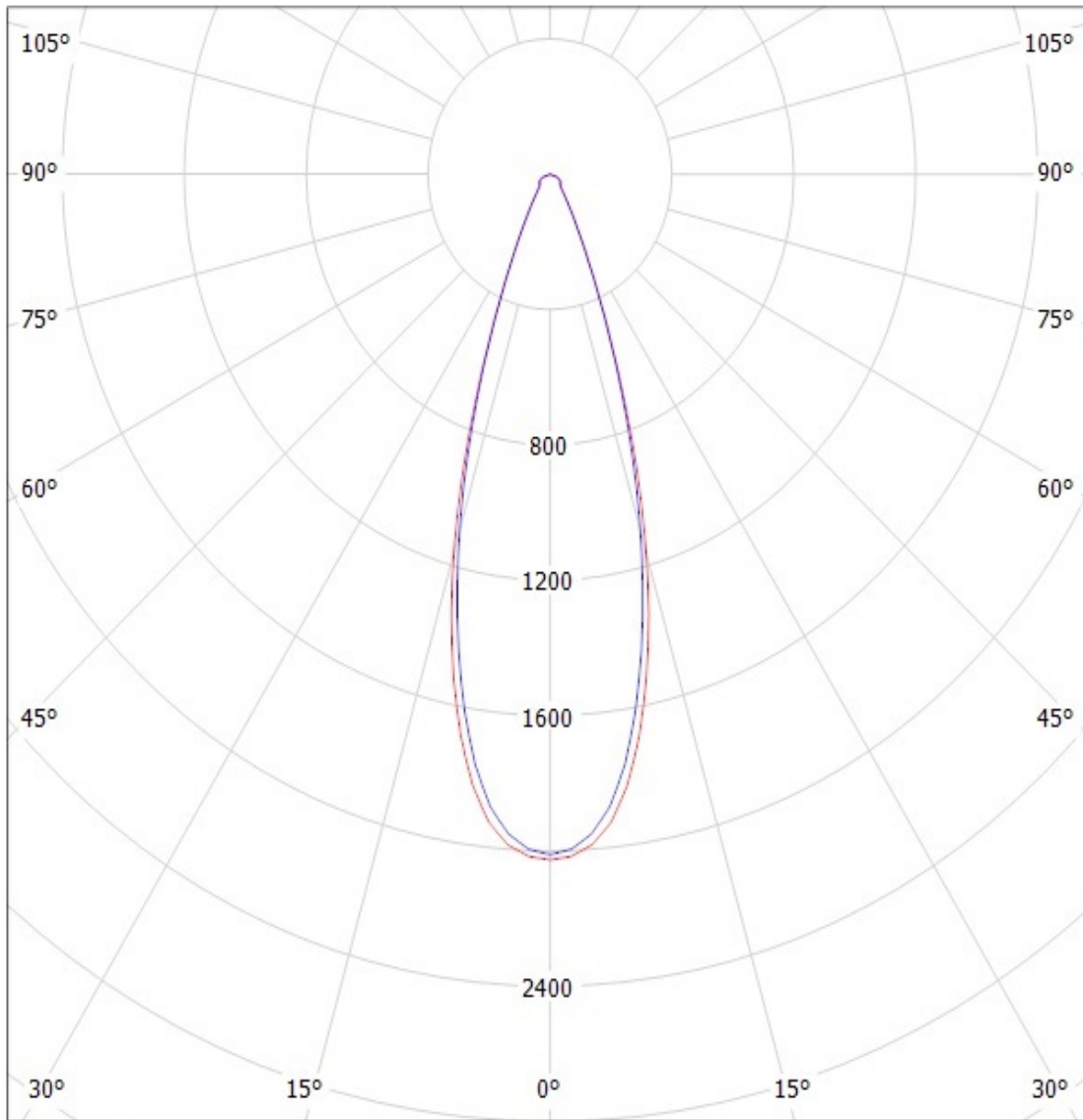
Luminaire: Ledil Oy C10429_Cute-3-W C10429_Cute-3-W
Lamps: 3 x Cree XR-E (White)



Ledil Oy C10429_Cute-3-W C10429_Cute-3-W / LDC (Polar)

Luminaire: Ledil Oy C10429_Cute-3-W C10429_Cute-3-W

Lamps: 3 x Cree XR-E (White)



cd/klm

— C0 - C180

— C90 - C270

SIMULATED

NOTE: The typical divergence will be changed by different color, chip size and chip position tolerance. The typical total divergence is the full angle measured where the luminous intensity is half of the peak value.