

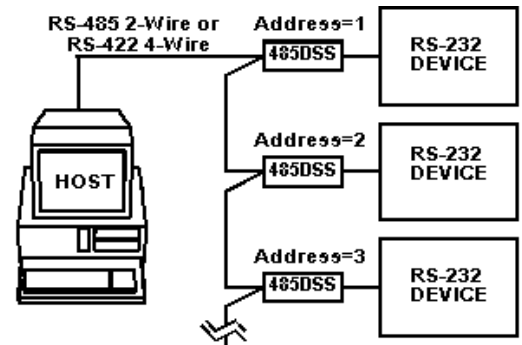
Model: 485DSS

Distributed Smart Switch



Features

- ✓ Network Enable “dumb” RS-232 Devices
- ✓ Network 32 RS-232 Devices up to 4,000 feet
- ✓ Supports RS-422 and RS-485



Functional Description

The 485DSS allows non-addressable, “dumb” RS-232 devices to be connected on an addressable RS-485 network. The master node controls all communications to connected devices. By distributing the switching intelligence along the RS-485 network, wiring cost savings are substantial compared to a single switched “star” configuration. Devices can either be polled by the master node or request access to the bus through the RS-232 handshake line. This provides a versatile system for interconnecting devices that are designed for point-to-point communications. Because the units communicate using standard RS-485 signals, RS-232 devices can form their own network or be added to an existing system. Up to 32 nodes at up to 4,000 feet can be on one bus without a repeater. The addressing scheme allows up to 256 units on a single network with repeaters. A CD ROM is included which contains a manual and demonstration software compatible with Windows (95, 98, NT, 2K, XP, and Vista).

Ordering Information

Model Number	Description
485DSS	Distributed Smart Switch
Accessories	
485PS2	12VDC@100mA Power Supply, Wall transformer
232AMF5	6 ft Computer Cable, DB25 Male/Female
232CAMR	DB25 Female to DB9 Male 6 inch Adapter Cable

Operation

- A manual is contained on the CD ROM, which ships with the module. Refer to this manual for detailed operational instructions.
- Terminal block on the unit is used to connect the RS-485 signals and input power.
- The RS-232 signals are connected through a DB25 male connector (DTE).
- The address is set using an internal DIP Switch.
- 2/4-Wire mode is set using an internal jumper.
- The unit communicates at 9600 baud using 8 data bits, 1 stop bit, and no parity. Once the host has connected a 485DSS to the network, the host can change its communications parameters to match that of the RS-232 device.

Specifications

RS-232 Connector:	DB-25 Male (DTE)
RS-485 Connector:	Terminal Block
Communications:	9600 baud, 8 data bits, no parity, 1 stop bit
Input Voltage:	+11 to 16 VDC / 75mA
Dimensions:	4.8 x 2.2 x 0.9 in (12.2 x 5.6 x 2.3 cm)

