

### Voltage Step-up Coils

Series: **Chip**  
Type: **5KN**



ELT5KN

High inductance Voltage Step-up coil for the DC-DC circuitry of EL panels

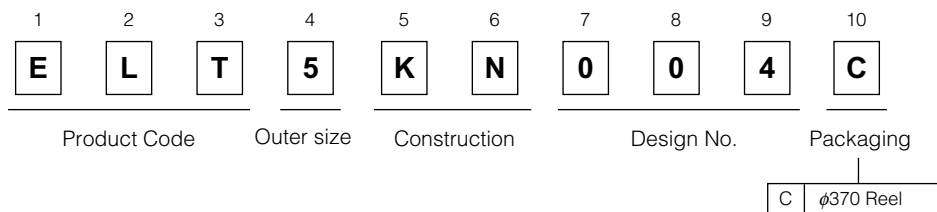
#### ■ Features

- Small and thin
- High inductance

#### ■ Recommended Applications

- Toys, Cameras, Pagers, PHS, cordless telephones

#### ■ Explanation of Part Numbers



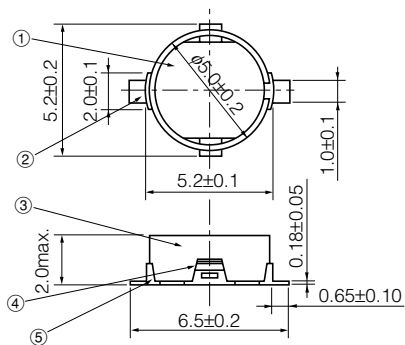
#### ■ Standard Packing Quantity

- 4000 pcs./Reel

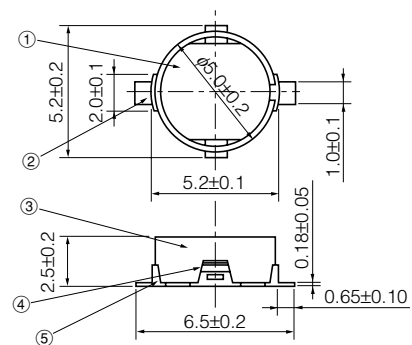
#### ■ Dimensions in mm (not to scale)

- Type 5KN

F



G



Part Name: ① Core ② Terminal ③ Ring ④ Coil ⑤ Terminal board

### ■ Standard Parts

Part No.	Inductance		R. D. C		I.D.C (mA) max.	Dimensions	Magnetic Composition
	(mH)	Tolerance(%)	( $\Omega$ )	Tolerance(%)			
ELT5KN117C	0.47	±10	5.5	±15	65	F	Brass ring
ELT5KN118C	0.56		6.0		60		
ELT5KN119C	0.68		7.9		55		
ELT5KN120C	2.70		33.0		35		
ELT5KN121C	4.70		58.0		25		
ELT5KN127C	0.22		2.4		100		
ELT5KN128C	3.30		45.0		25		
ELT5KN132C	2.20		28.0		35		
ELT5KN134C	1.00		11.5		55		
ELT5KN135C	1.50		20.0		40		
ELT5KN111C	1.80		29.0		40	G	
ELT5KN116C	20.00		231.0		11		
ELT5KN123C	2.70		37.0		45		
ELT5KN124C	5.60		60.0		22		
ELT5KN125C	4.30		36.0		30		
ELT5KN131C	0.39		2.8		120		
ELT5KN133C	0.56		4.4		100		
ELT5KN138C	3.90		34.0		35		
ELT5KN139C	4.70		41.0		30		