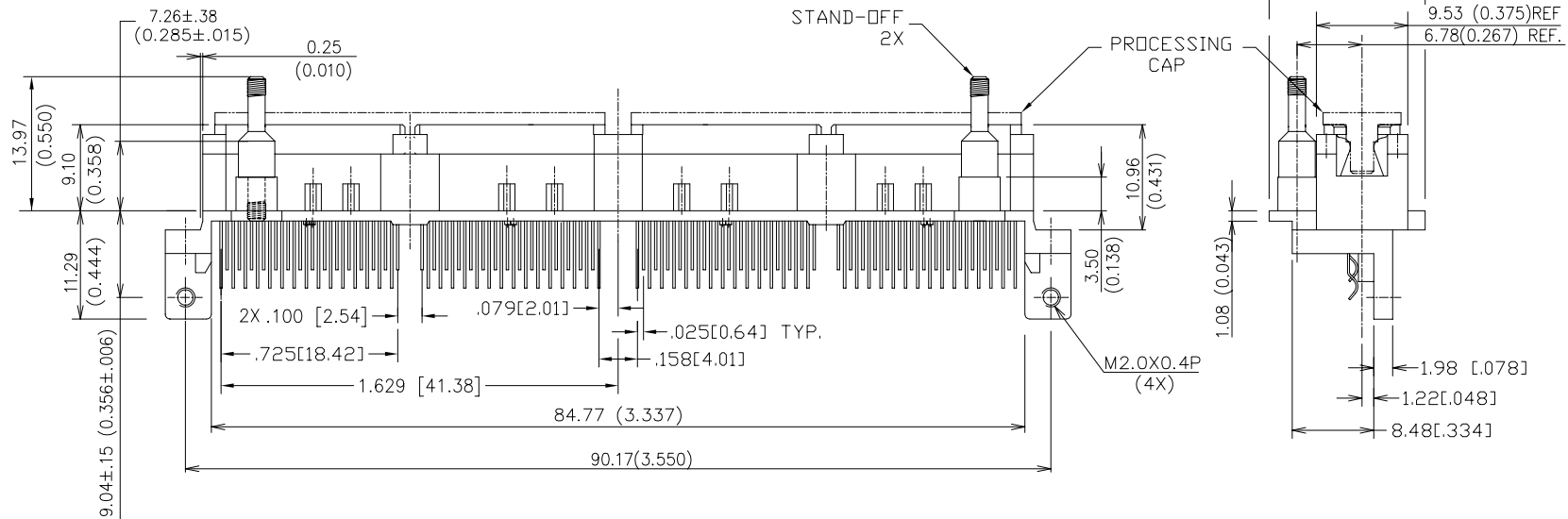
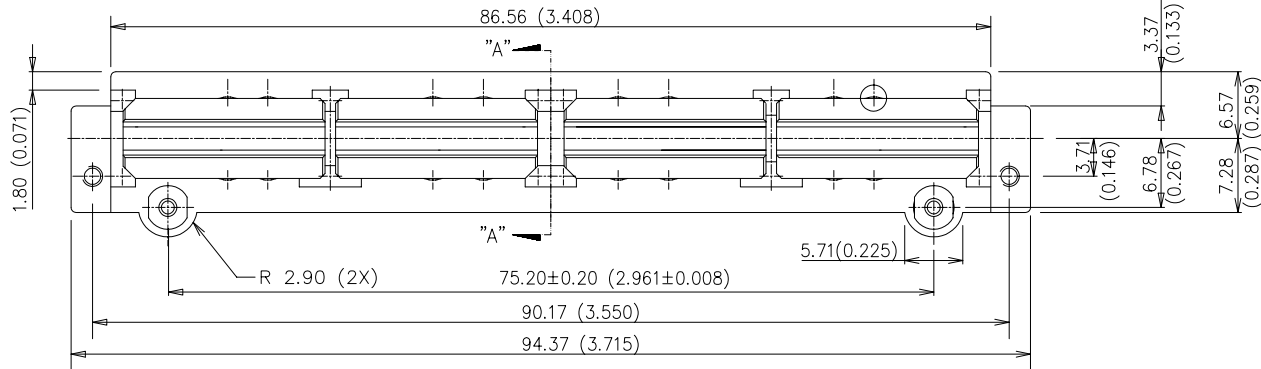


PRODUCT NO.
74814-001
74814-001LF



WAS SK-39558



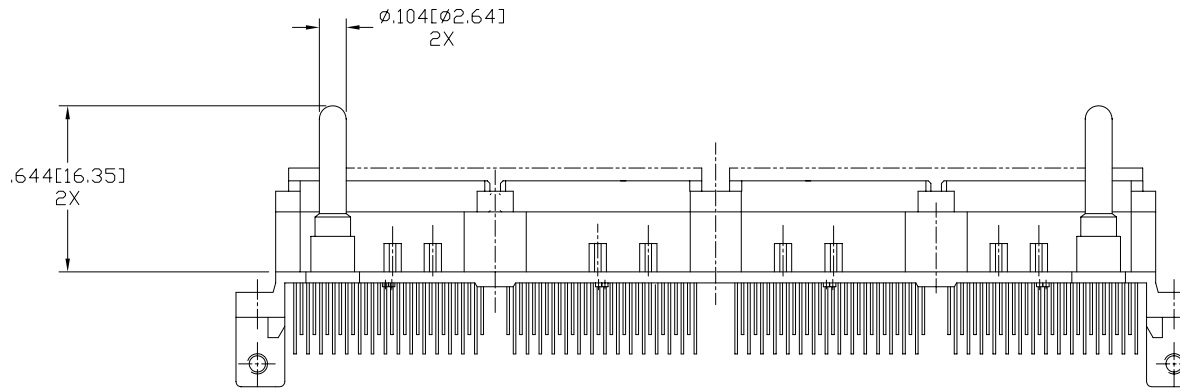
FCIconnect.com

Copyright FCI

mat'l. code NOTE 1		surface ISO 1302 ✓	tolerance ISO 406 ISO 1101	projection INCH	product family MICROPAX
ltr	ecn no	dr	date	tolerances unless otherwise specified	title
A	V80453	RGD	3/30/98	angles .xx±.01/0.3	MICROPAX 240P RECEPT. STRADDLE LONG TAIL
B	V80815	SAR	5/18/98	linear .xxx±.005/0.13	
C	M06-0363	MHT	9/18/06	0'±2' .xxx±.0020/0.051	
sheet index		revision sheet	C C C 1 2 3	dr RGD 2/9/98 enr D.JOHNESCU 2/9/98 chr D.JOHNESCU 2/9/98 app D.JOHNESCU 2/9/98	scale 1.5:1
sheet no		revision		sheet 1 of 3 size	
index		sheet		74814 A3	
type		Product Customer Drawing		type Product Customer Drawing	

form: A3

PRODUCT NO.	GUIDE PIN/STANDOFF
74814-002	YES GUIDE PIN
74814-003	NO
74814-002LF	YES GUIDE PIN
74814-003LF	NO



NOTES:

- ① MATERIALS:
DIELECTRIC: LCP
CONTACTS: PHOS. BRZ.
FRAME: ZINC ALLOY #3
- ② PLATING:
SOLDER TAILS: 150u"/3.81um Sn Pb
FRAME: 150u"/3.81um Sn
CONTACT:
30u"/.76um GXT OVER 50u"/1.27um Ni

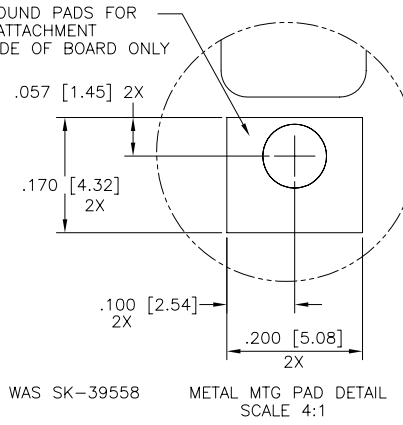
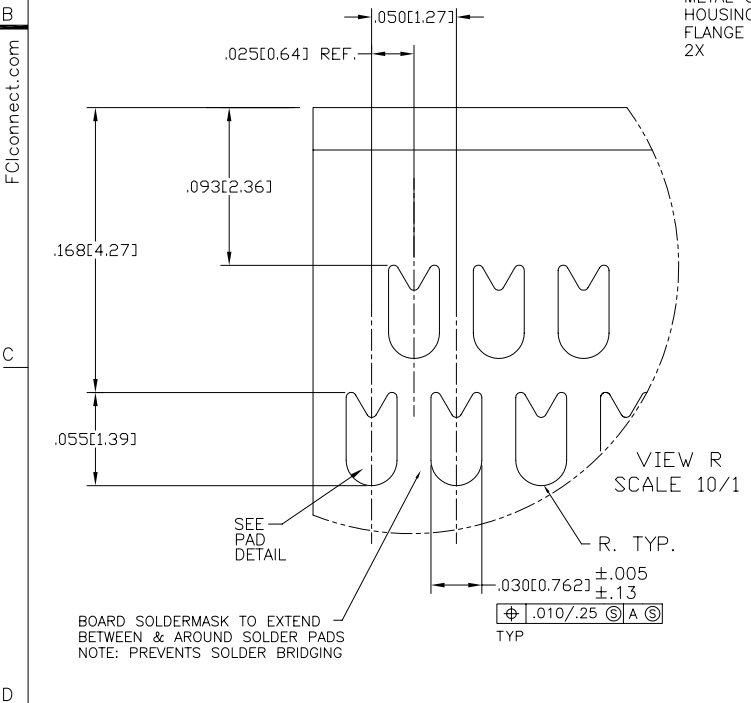
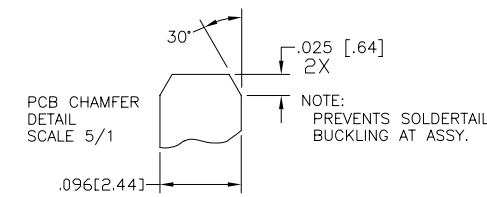
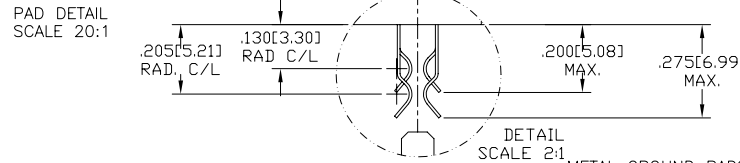
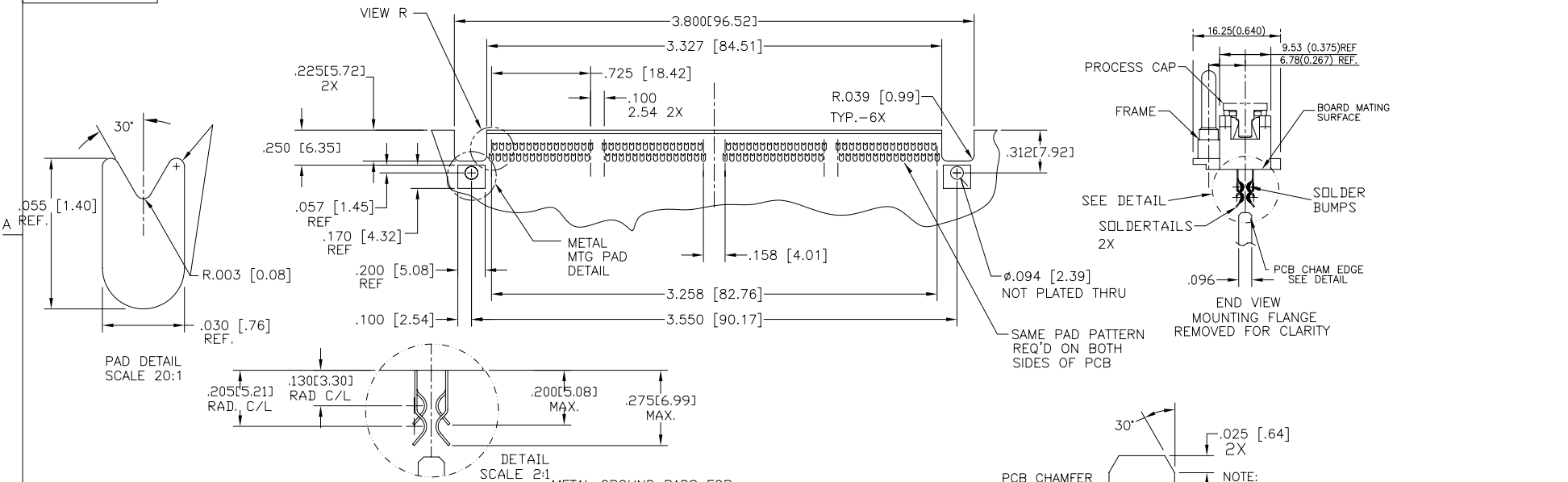
LEAD FREE OPTION:
SOLDER TAILS: 100u"/2.54um Sn
FRAME: 150u"/3.81um Sn
CONTACT:
30u"/.76um GXT OVER 50u"/1.27um Ni
- ③ DO NOT REMOVE PROCESSING CAP UNTIL SOLDERING IS COMPLETED.
- ④ PART NUMBERS WITH LF SUFFIX AT THE END ARE LEAD FREE.
- 8 THE HOUSING WILL WITHSTAND EXPOSURE TO 260°C PEAK TEMPERATURE FOR 20 SECONDS IN A CONVECTION, INFRA-RED OR VAPOR PHASE REFLOW OVEN.
- ⑨ IF "LF" P/N THE PRODUCT MEETS EUROPEAN UNION DIRECTIVES AND OTHER COUNTRY REGULATION AS DECREIBED IN GS-22-008.

74814-002 SHOWN
SAME AS 74814-001 EXCEPT AS SHOWN

WAS SK-39558

mat'l. code		surface ISO 1302 ✓		tolerance ISO 406 ISO 1101		projection ⊕		product family MICROPAX	
ltr	ecn	no	dr	date		tolerances unless otherwise specified		title	
C						.XX±.01/0.3 .XXX±.005/0.13 .XXX±.0020/0.051		MICROPAX 240P RECEPT. STRADDLE LONG TAIL	
angles		linear		0'±2'		INCH		scale 1.5:1	
dr		RGD		2/9/98		FCJ		dwg no 74814	
enr		D.JOHNESCU		2/9/98				sheet 2 of 3 size A3	
chr		D.JOHNESCU		2/9/98				type Product Customer Drawing	
appd		D.JOHNESCU		2/9/98					
sheet index	revision sheet								

PRODUCT NO.
SEE CHART



mat'l. code		surface ISO 1302 ✓		tolerance ISO 406 ISO 1101		projection INCH		product family MICROPAX	
ltr		ecn no		dr		date		title	
C								MICROPAX 240P RECEPT. STRADDLE LONG TAIL	
								scale 1.5:1	
								dwg no 74814	
								sheet 3 of 3 size A3	
								type Product Customer Drawing	
sheet index		revision sheet							

FCI
 FCIconnect.com
 Copyright FCI