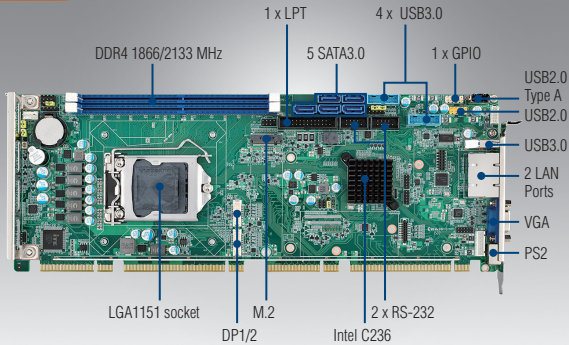


PCE-5129

6th Generation Intel® Core™ i LGA1151 System Host Board with DDR4, SATA 3.0, USB 3.0, M.2, Dual GbE, and Triple Displays

NEW



Features

- Intel® Core™ i7/i5/i3 LGA1151 processor with Q170 chipset
- Up to 32 GB of dual-channel (non-ECC) DDR4 1866/2133 MHz
- PCIe 3.0, M.2, USB 3.0, SATA 3.0, and SW Raid 0, 1, 5, 10
- Supports out-of-band remote management with AMT 11.0
- Supports Advantech's LPC modules, SUSIAccess, and embedded software APIs

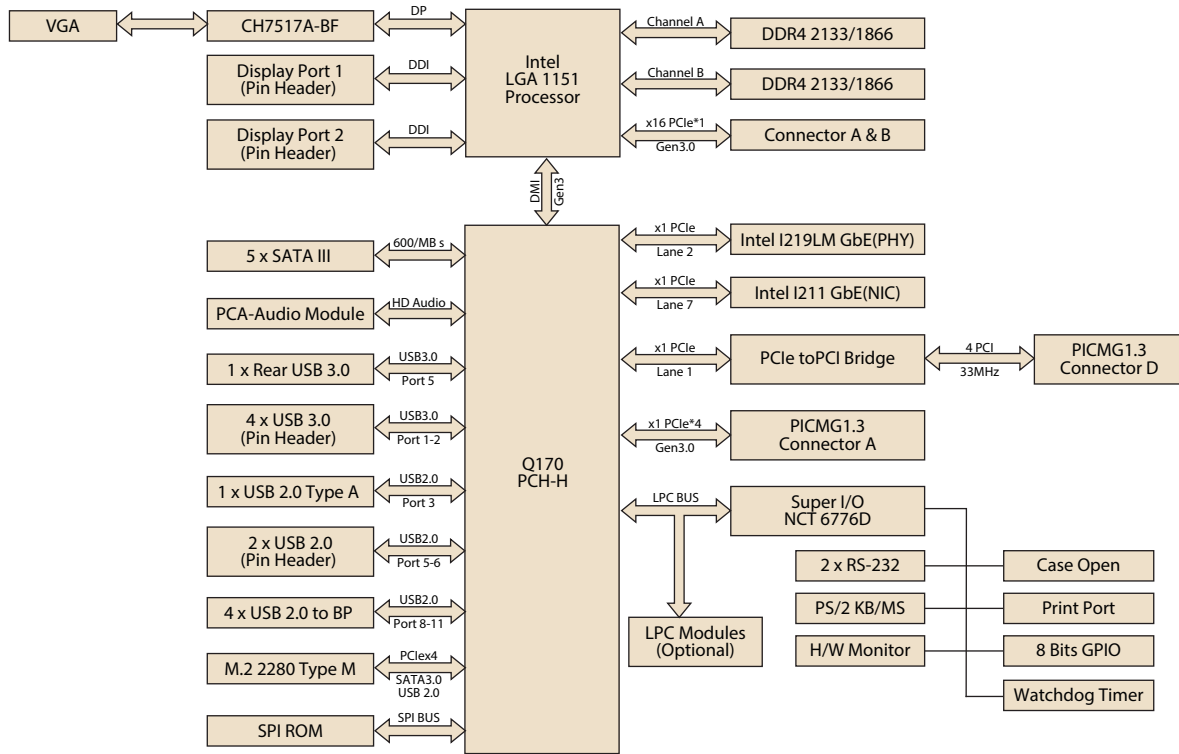
Quiet

CE FCC

Specifications

Processor System	CPU	i7-6700	i7-6700TE	i5-6500	i5-6500TE	i3-6100	i3-6100TE	G4400	G4400TE	G3900	G3900TE	
	Base Frequency	3.4GHz	2.4GHz	3.2GHz	2.3GHz	3.7GHz	2.7GHz	3.3GHz	2.9GHz	2.8GHz	2.6GHz	
	L3 Cache	8MB	8MB	6MB	6MB	4MB	4MB	3MB	3MB	2MB	2MB	
	SKU/Chipset	Intel® Q170										
	BIOS	AMI® SPI Flash 128 Mbit										
Bus	PCI-Express	1 x PCIe x16 and 1 x PCIe x4 to backplane										
	PCI	4 x PCI master to backplane, 32-bit, 33 MHz										
Memory	Technology	Dual-channel (non-ECC) U-DIMM DDR4 1866/2133 MHz (supports x8 DDR4 1024 M)										
	Max. Capacity	32 GB (16 GB per DIMM)										
	Socket	2 x DDR4 288-pin DIMM										
Graphics	Controller	Chipset integrated with Intel® HD Graphics										
	VRAM	Shared system memory is subject to OS										
	CRT	Supports resolutions of up to 1920 x 1200 pixel @ 60 MHz										
	DVI-D	Supports resolutions of up to 1920 x 1200 pixel @ 60 MHz										
	Display Port	Supports resolutions of up to 1920 x 1080 pixel @ 60 Hz										
Ethernet	Triple Display	CRT+DP/DVI-D+DP/DVI-D										
	Interface	10/100/1000 Mbps										
	Controller	LAN 1: Intel® I219-LM LAN 2: Intel® I211										
Rear I/O	Connector with LED	2 x RJ45										
	USB 3.0	1										
	Ethernet	2										
	VGA	1										
	PS/2	1 (PS/2 Y cable supports 1 x keyboard and 1 x mouse)										
Internal Connector	USB	7 x USB 2.0 (pin header*2 + USB Type A*1 + 4 on backplane) 4 x USB 3.0 (pin header)										
	SATA (SW Raid 0,1,5,10)	5										
	M.2 (2280 Type M)	1 (supports SATA 3.0 or PCIe x4)										
	DP/DVI-D	2 (Pin header)										
	COM	2										
	Parallel	1										
	IrDA	1										
	GPIO	8bit										
Watchdog Timer	Output	System reset										
	Interval	Programmable 1-255 sec										
Miscellaneous	Audio	Intel® High Definition audio interface (requires audio extension module PCA-AUDIO-HDB1E)										
	Test Environment	i7-6700, 3.4 GHz, 65 W, with 2 x 8-GB DDR4 2133										
Power Requirement	Voltage	+12V	+5V	+3.3V	+5Vsb							
	Current	2.64A	1.23A	0.19A	0.09A							
	Operating									Non-Operating		
Environment	Temperature	0 ~ 60 °C (dependent on CPU and cooler solution)								-40 ~ 85 °C		
	Humidity	40 °C @ 85% relative humidity (non-condensing)								60 °C @ 95% relative humidity (non-condensing)		
Physical	Dimensions (L x W)	338 x 122 mm (13.3 x 4.8")										

Block Diagram



Ordering Information

Part Number	PCH	Memory	Backplane	LAN	VGA	DP/DVI-D	COM	SATA III	M.2	USB 2.0	USB 3.0	S/W Raid	AMT
PCE-5129G2-00A1E	Q170	Non-ECC	PCE-5BXX	2	Yes	2*	2	5	1	7	5	Yes	Yes

Note: DP/DVI-D cable is optional

Packing List

Part Number	Description	Quantity
1700003194	Serial ATA HDD data cable	x2
1700022749-11	Serial ATA HDD power cable	x1
1701260305	COM + printer ports cable kit	x1
1700060202	Keyboard and mouse Y-cable	x1
1700002204	2-port USB cable kit	x1
9689000068	Jumper package	x1
2190000902	Warranty card	x1
2001512910	Startup manual	x1
2061512900	Utility CD	x1

Optional Accessories

Part Number	Description
1960052651N021	2U CPU cooler (PWM ran)
1960049408N001	CPU cooler for 1U chassis
PCA-AUDIO-HDB1E	Audio module
PCA-TPM-00A1E	TPM module
PCA-COM232-00A1E	4-port RS-232 LPC module
PCA-COM485-00A1E	4-port RS-422/485 LPC module
1700020277-01	2-port USB 3.0 cable w/ BKT (30 cm)
1700021831-01	DP to DVI-D cable w/ BKT
PCE-DP10-00A1E	DP to DP cable w/ BKT

I/O View



PCE-5129G2-00A1E