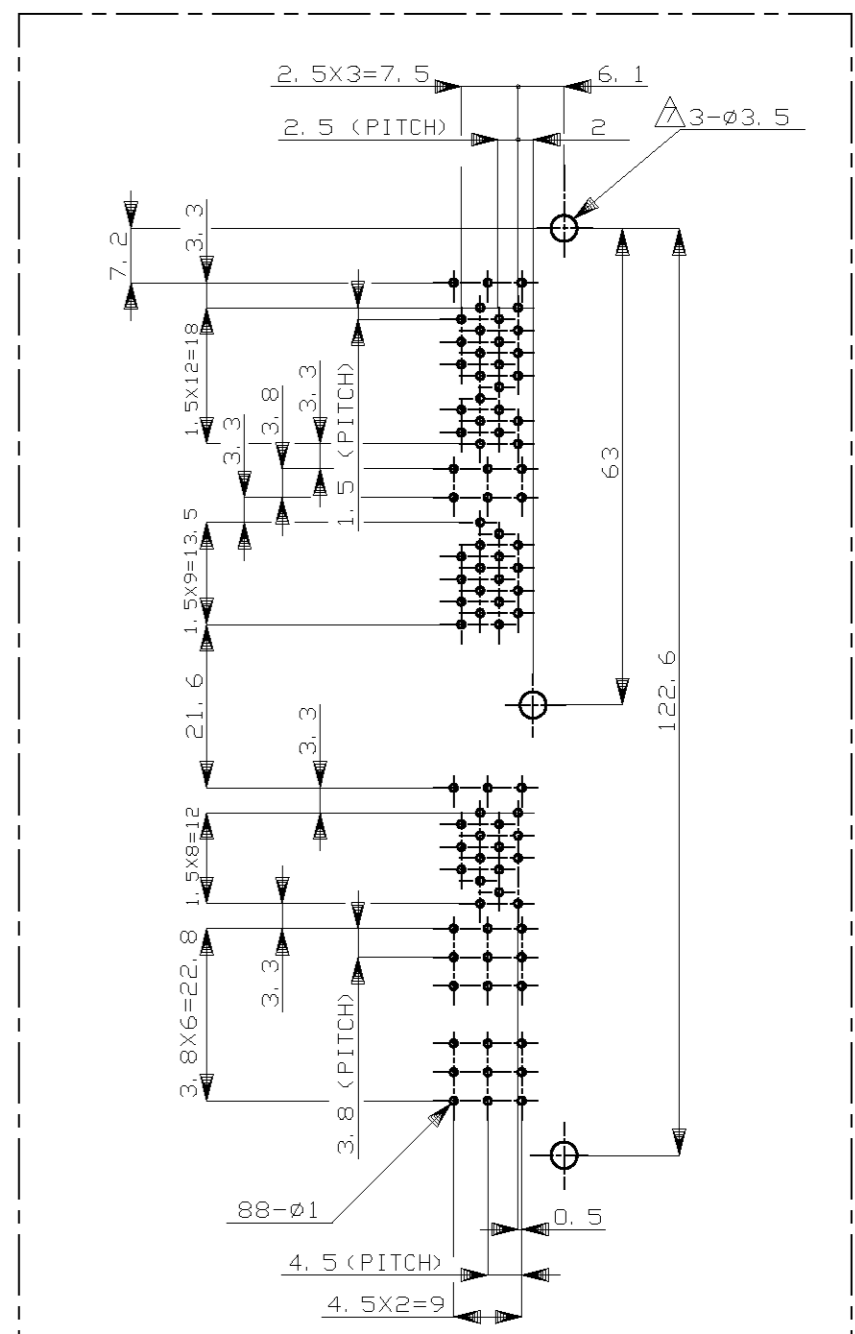
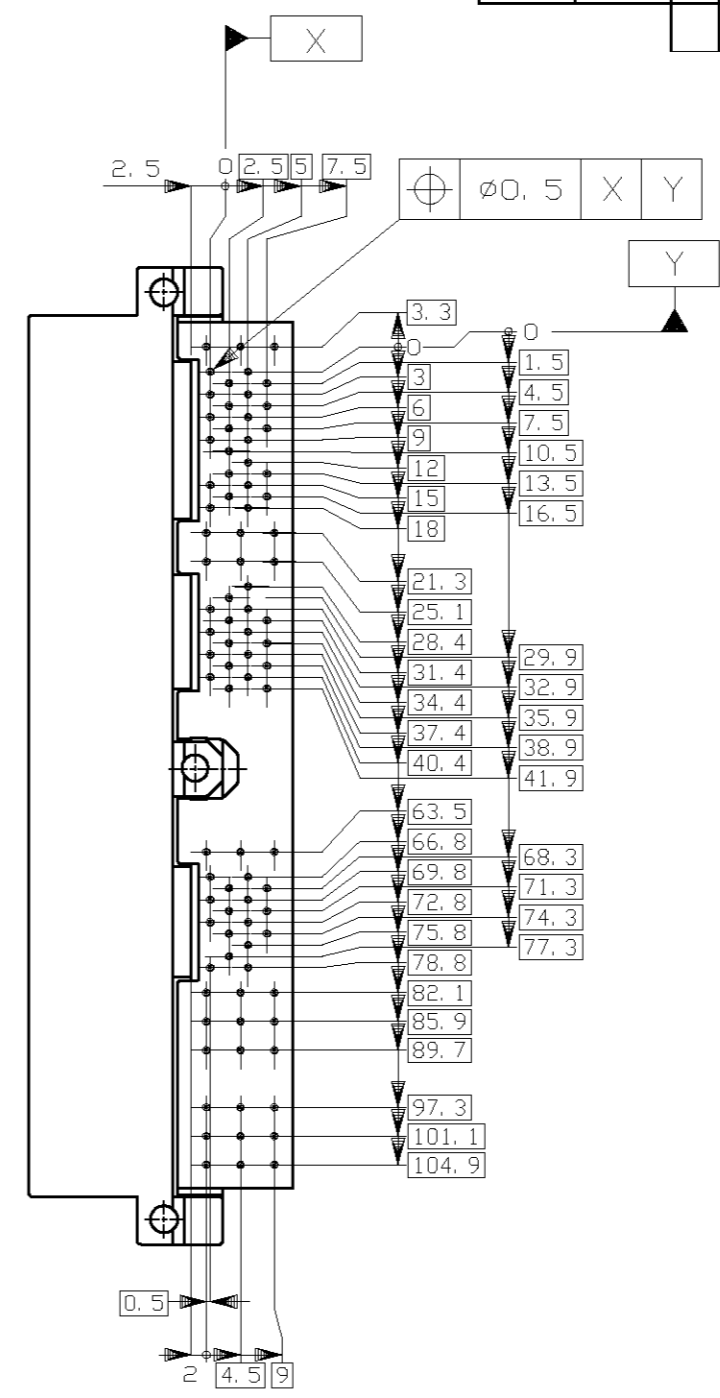
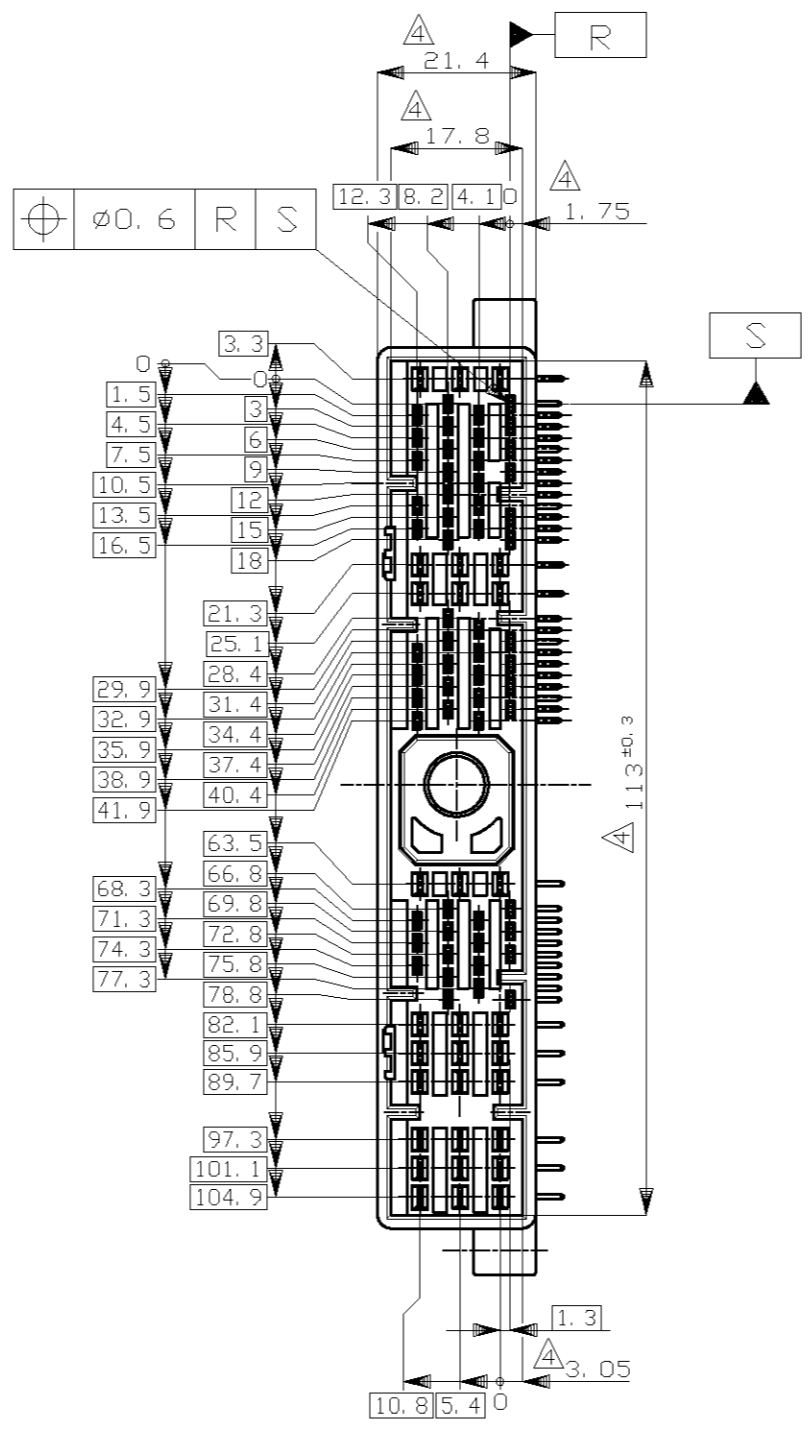
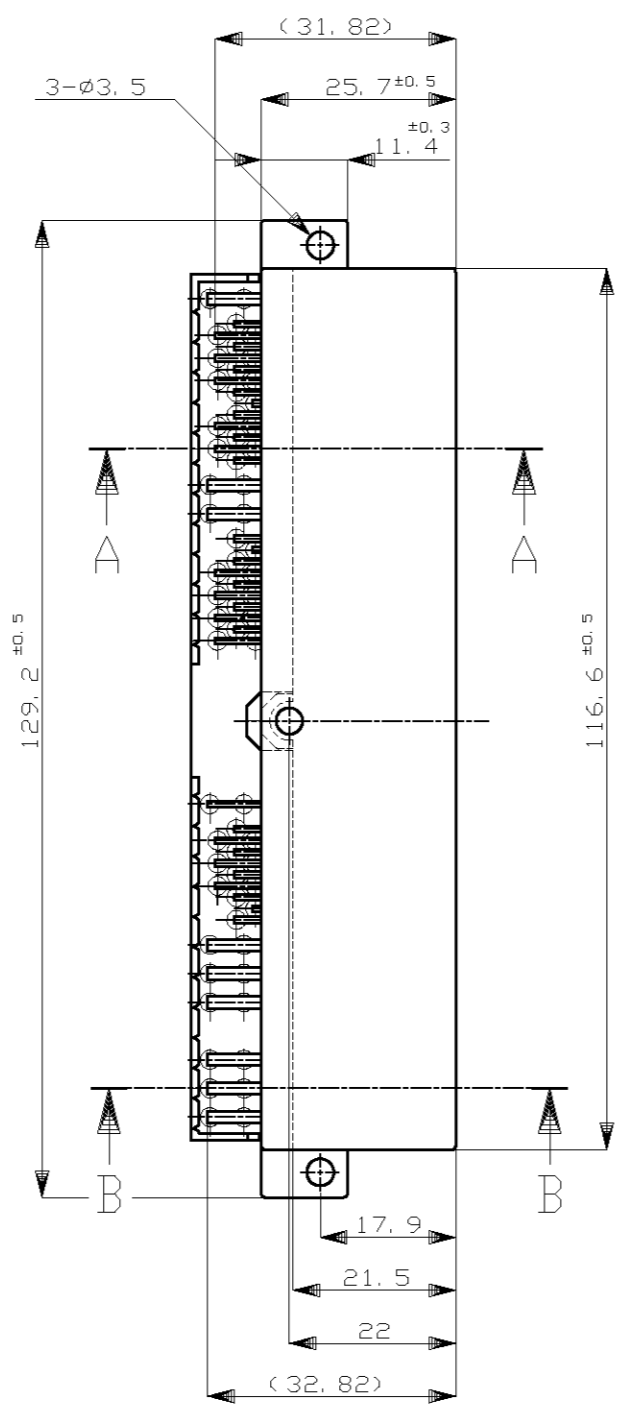
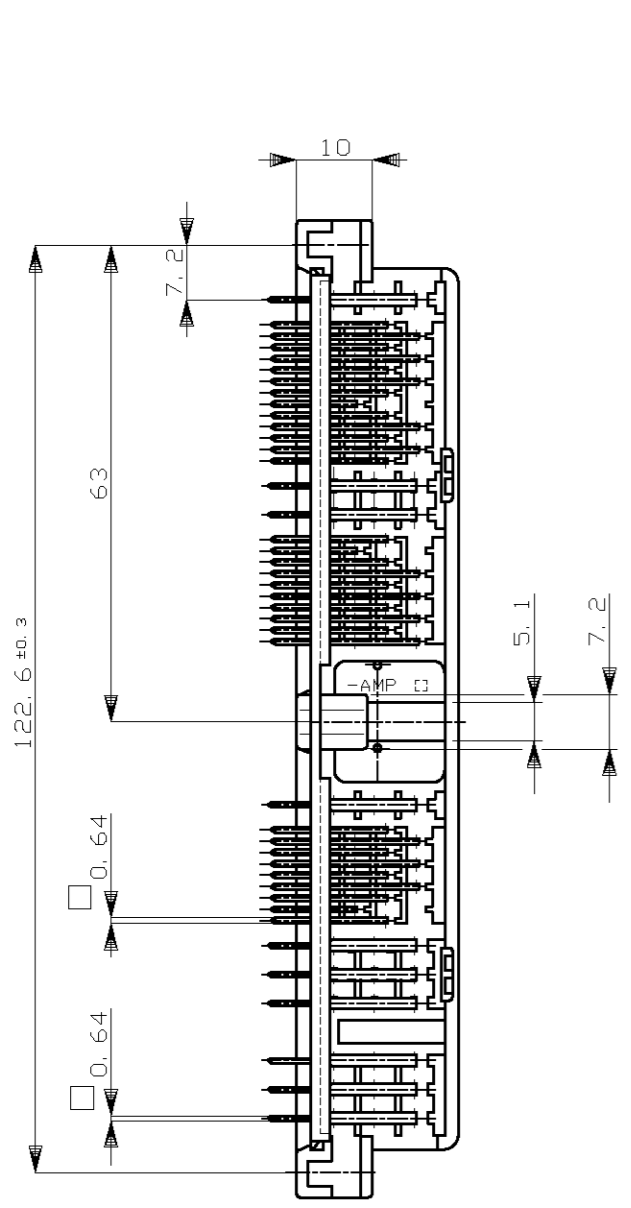
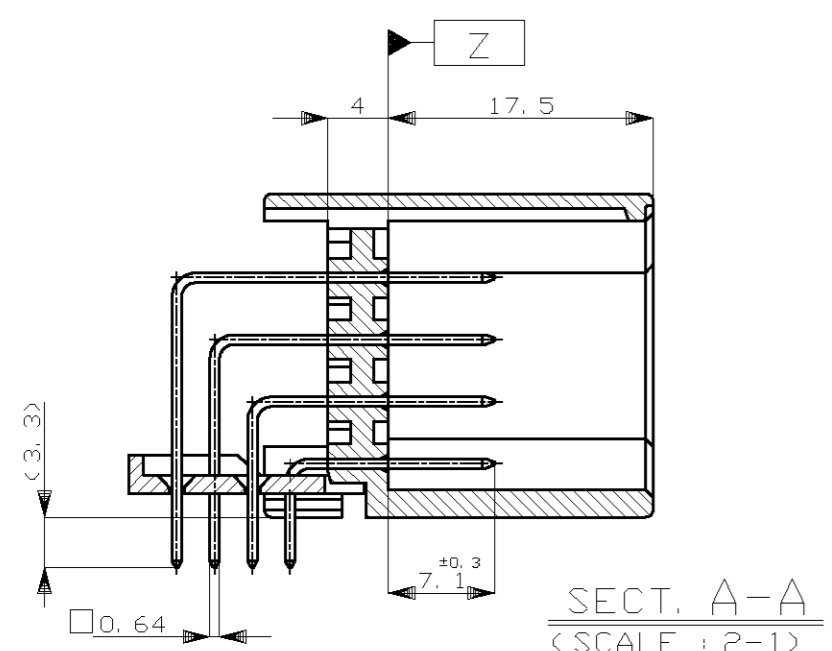


THIS DRAWING IS UNPUBLISHED. RELEASED FOR PUBLICATION
 © COPYRIGHT BY TYCO ELECTRONICS CORPORATION. ALL INTERNATIONAL RIGHTS RESERVED.

LOC	DIST	REVISIONS			
P	LTR	DESCRIPTION	DATE	DWN	APVD
J	-	REDRAWN W/CHANGE	ECR-11-004314	28FEB11	TS KB

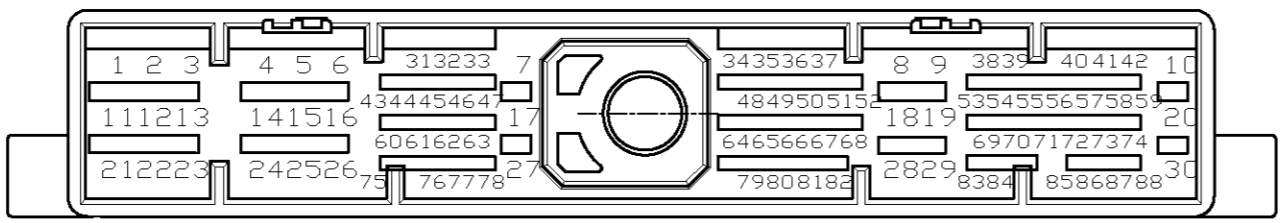
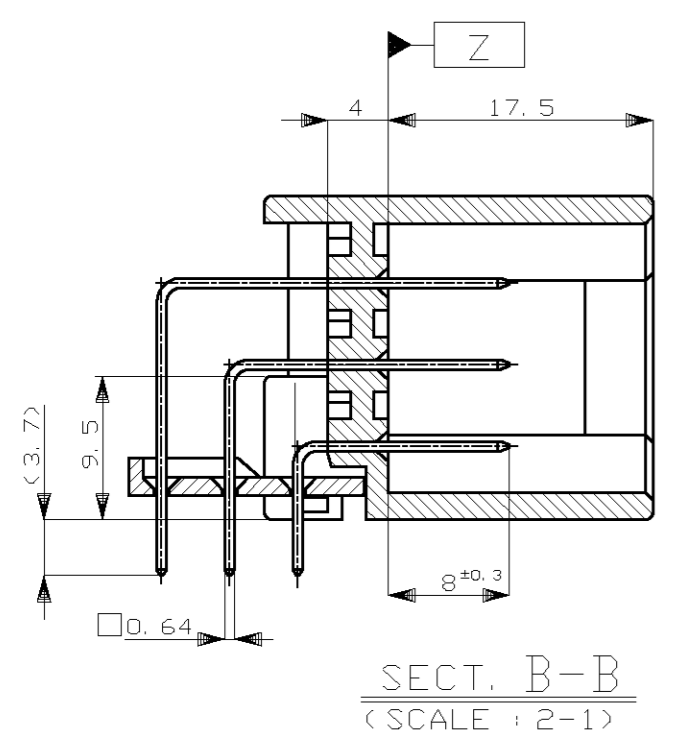


プリント基板取付寸法 (公差: ±0.1)
 (MOUNTING DIMENSION FOR P.C.B. BOARD: TOLERANCE ±0.1)
 *ピッチ公差は累積しないこと (NON ACCUMULATE PITCH TOLERANCE)



- 適用プリント基板厚: 1.6mm
 - 推奨取付ネジ: 呼び 3mm小ネジ 又は JIS B1122
タッピンネジ, 呼び 4mm 長さ, 8~12mm
(締め付けトルク: 0.8~1.2N-m)
 - 嵌合相手ハウジング番号: 178080
- △Z- 面より2mmの範囲で測定
 △5 全面ニッケルメッキ上に接触部分は金メッキ
 半田付部分は半田メッキ
 △6 金メッキ位置 (下図参照のこと)
 △7 タッピンネジを使用する場合, 寸法は4.5mm

- APPLICABLE P.C.B BOARD THICKNESS: 1.6mm
 - RECOMMENDED MOUNTING SCREW 3mm DIA SMALL SCREW
OR 4mm DIA, 8~12mm LENGTH TAPPING SCREW SPECIFIED
IN JIS B1122 (TIGHTENING TORQUE: 0.8~1.2N-m)
 - THE MATING PLUG HOUSING PART NUMBER: 178080
- △Z- TO BE MEASURED WITH 2mm FROM [Z-]
 △5 GOLD PLATING FOR CONTACT AREA AND TIN-LEAD
 PLATING FOR SOLDERING AREA OVER ALL-OVER
 NICKEL PLATING
 △6 GOLD TAB POSITIONS
 △7 HOLE DIMENSIONS 4.5mm, WHEN USE TAPPING SCREW



OBSOLETE	PRE-TINNED (69), SELECTIVE GOLD (19)	△5 29,30,37~40,52,54~56,68~72,83~86	WHITE	3-178078-1
OBSOLETE	PRE-TINNED (68), SELECTIVE GOLD (20)	△5 29,30,37~40,52~56,68~72,83~86	WHITE	2-178078-1
OBSOLETE	PRE-TINNED (77), SELECTIVE GOLD (11)	△5 37~40,52,53,56,69,71,72,85	WHITE	178078-2
	PRE-TINNED (88)	-	WHITE	178078-1
	FINISH OF CONTACT タブ仕上げ (本数)	△6	CIRCUIT NO. OF GOLD PLATED CONTACT 金メッキ端子使用回路番号	HOUSING COLOR ハウジング色
				PART NUMBER 製品型番

GENERAL TOLERANCE
 一般公差

10 ≥	±0.2
30 ≥	>10 : ±0.25
100 ≥	>30 : ±0.3
	ANGLE : ±3°

THIS DRAWING IS A CONTROLLED DOCUMENT.

DIMENSIONS:	TOLERANCES UNLESS OTHERWISE SPECIFIED:
mm	
0 PLC	±
1 PLC	±
2 PLC	±
3 PLC	±
4 PLC	±
ANGLES	±
FINISH	-

MATERIAL
 HOUSING: PBT
 CONTACT: BRASS

DWN	T.SHINOHARA	28FEB11	 Tyco Electronics Corporation Kawasaki, Japan	88POSITION CAP HOUSING ASSEMBLY IMPUL MATE CONNECTOR
CHK	K.BETSUI	28FEB11		
APVD	K.BETSUI	28FEB11		
PRODUCT SPEC				
APPLICATION SPEC			NAME	
WEIGHT	-		SIZE	A2
CUSTOMER DRAWING			CAGE CODE	00779
			DRAWING NO	C=178078
			RESTRICTED TO	-
			SCALE	1:1
			SHEET	1 of 1
			REV	F