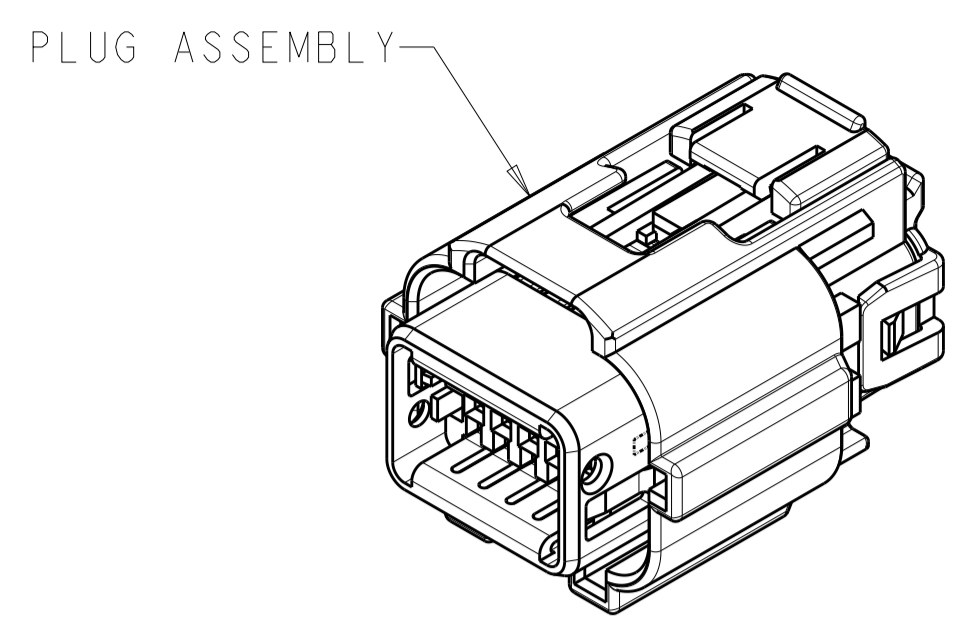
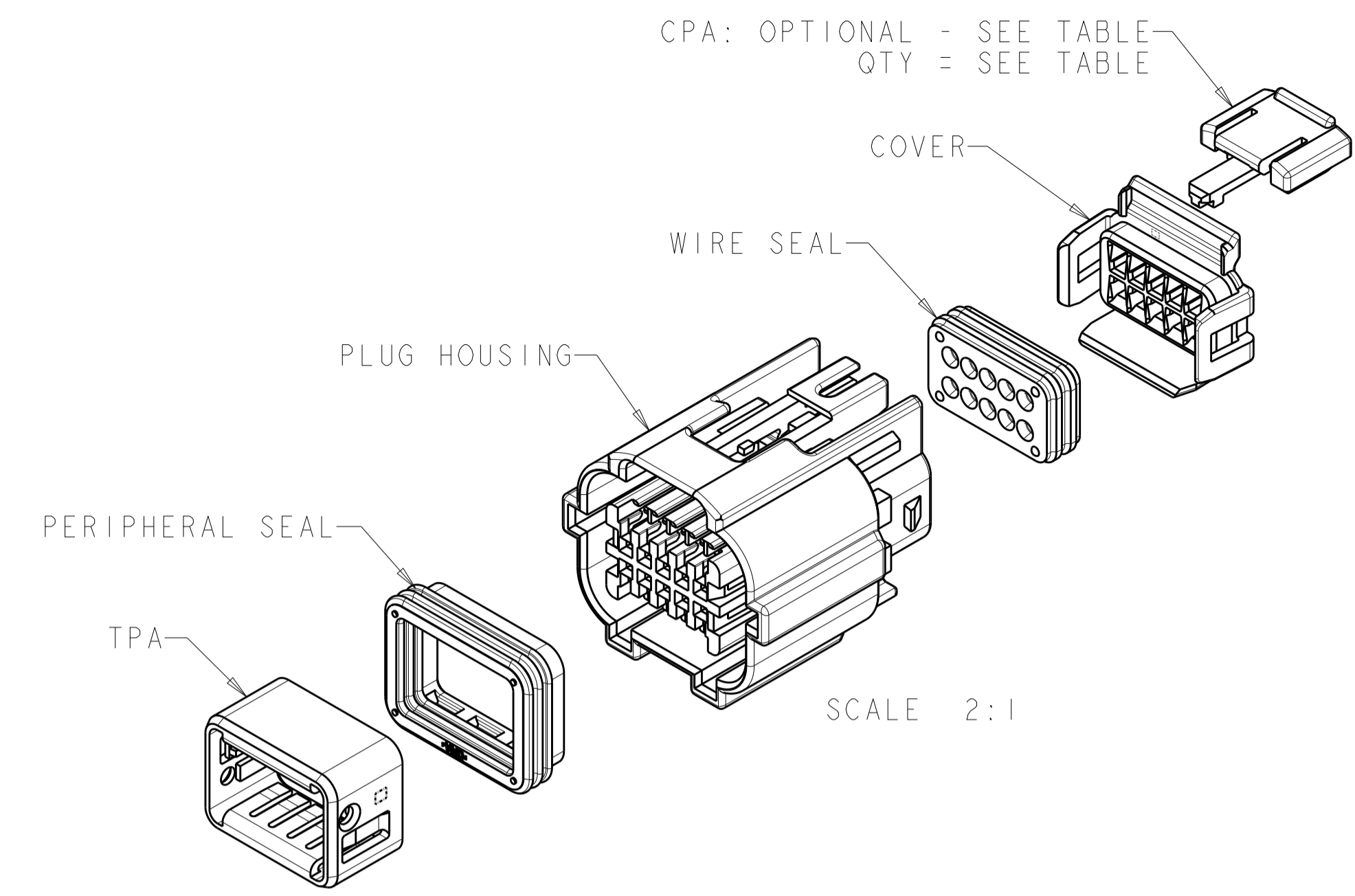
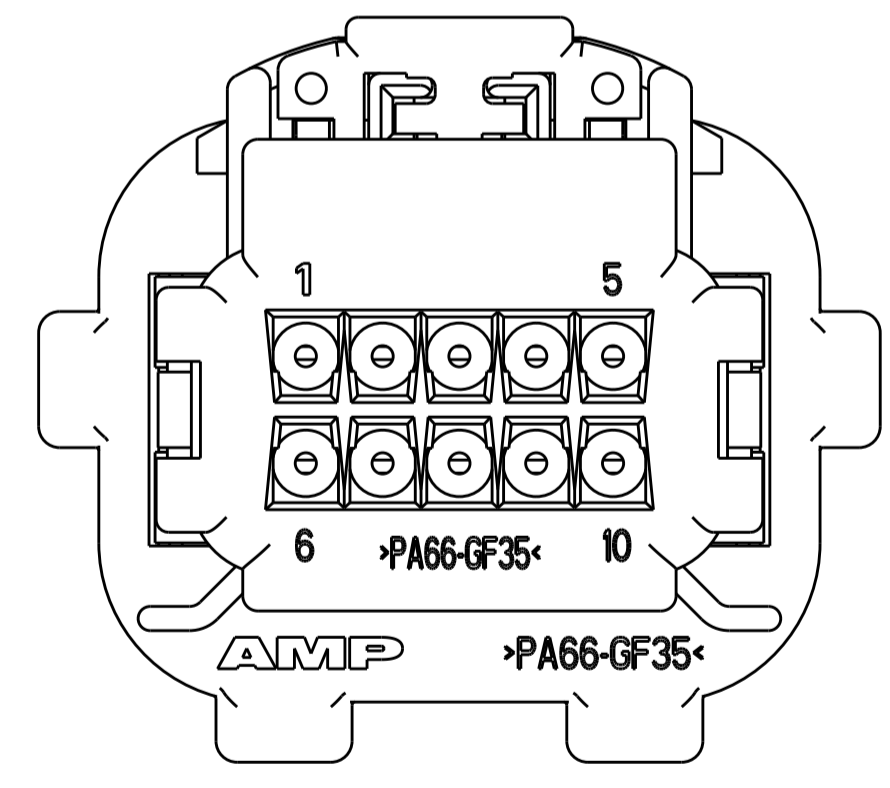
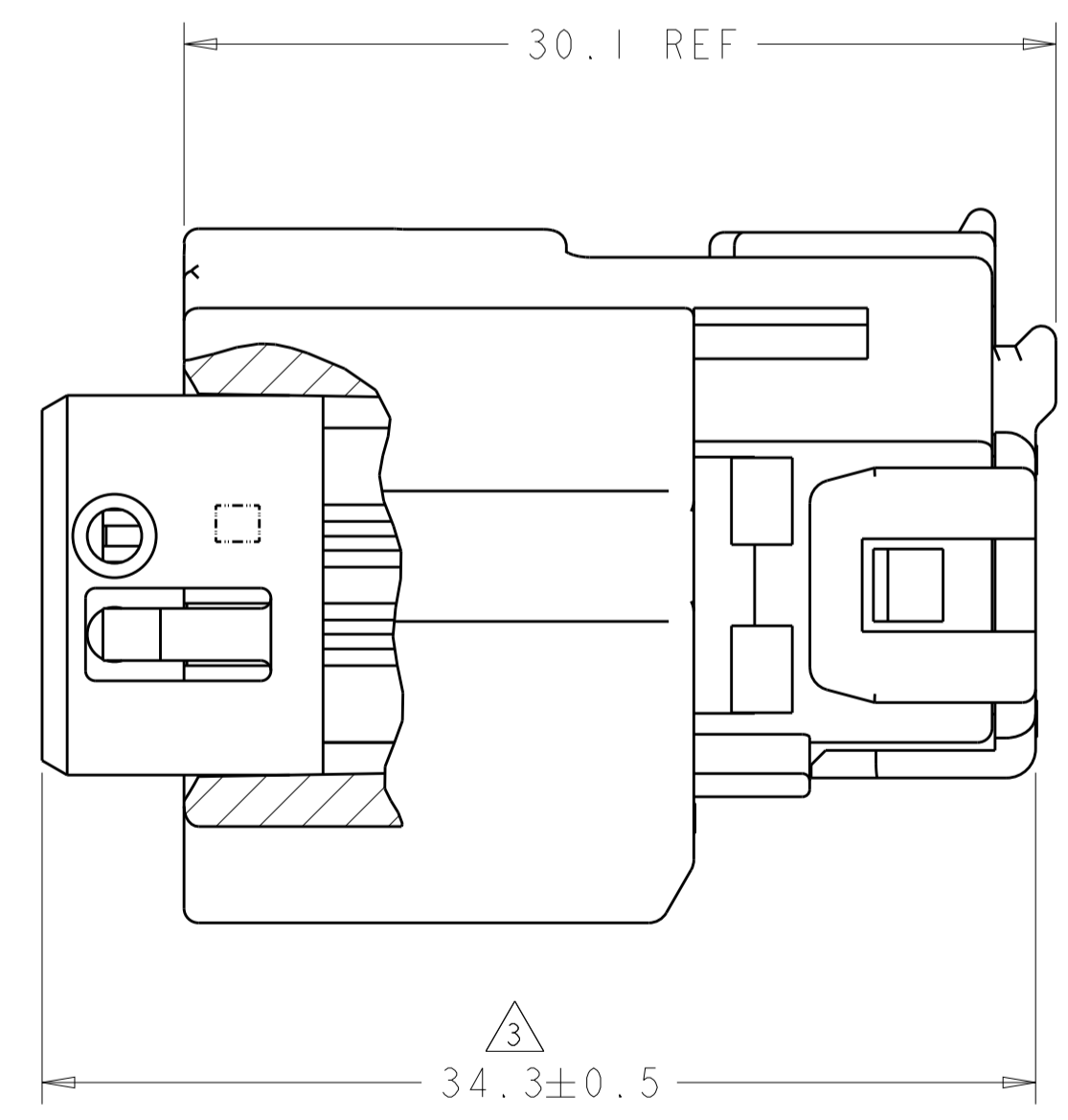
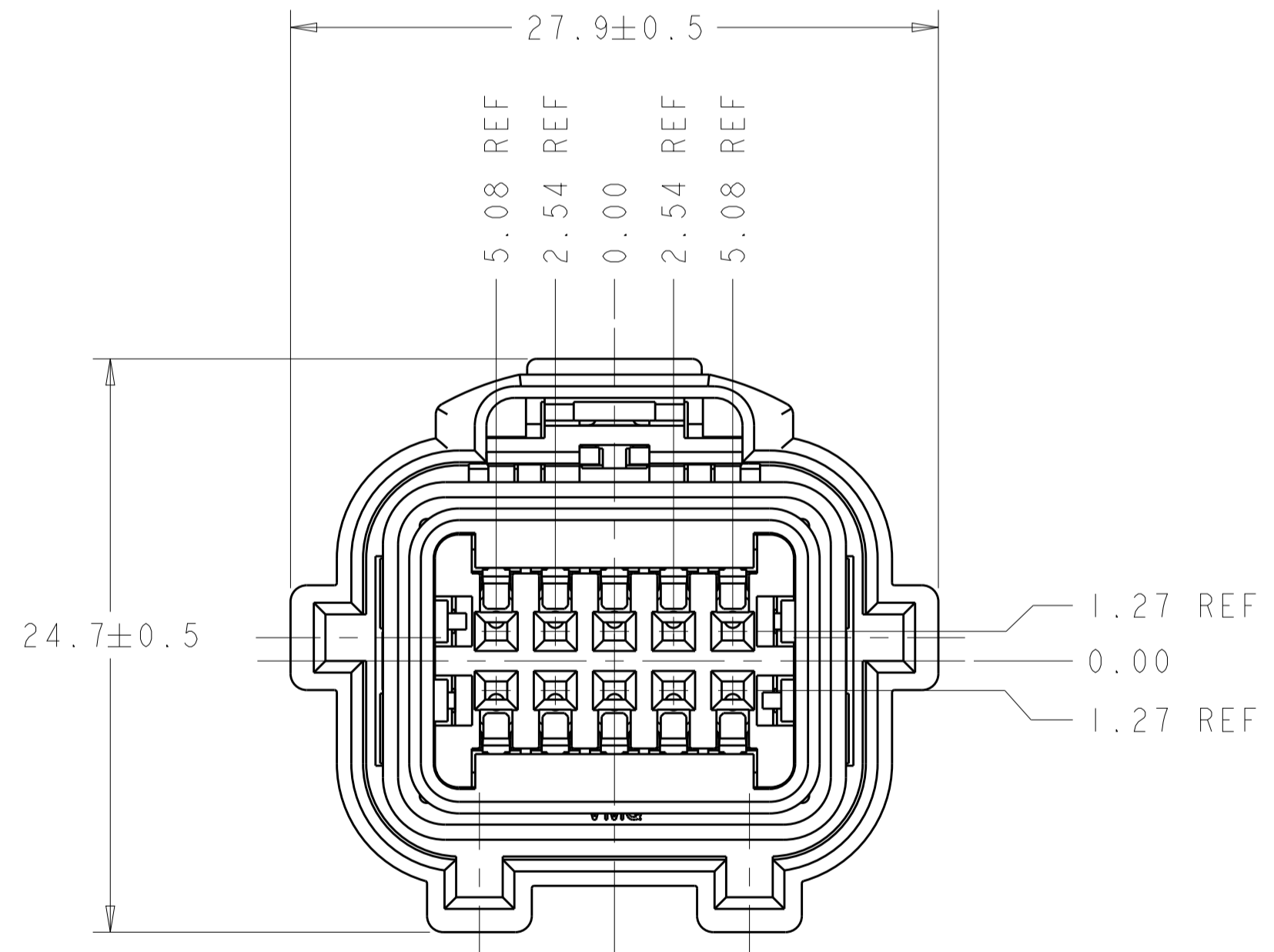
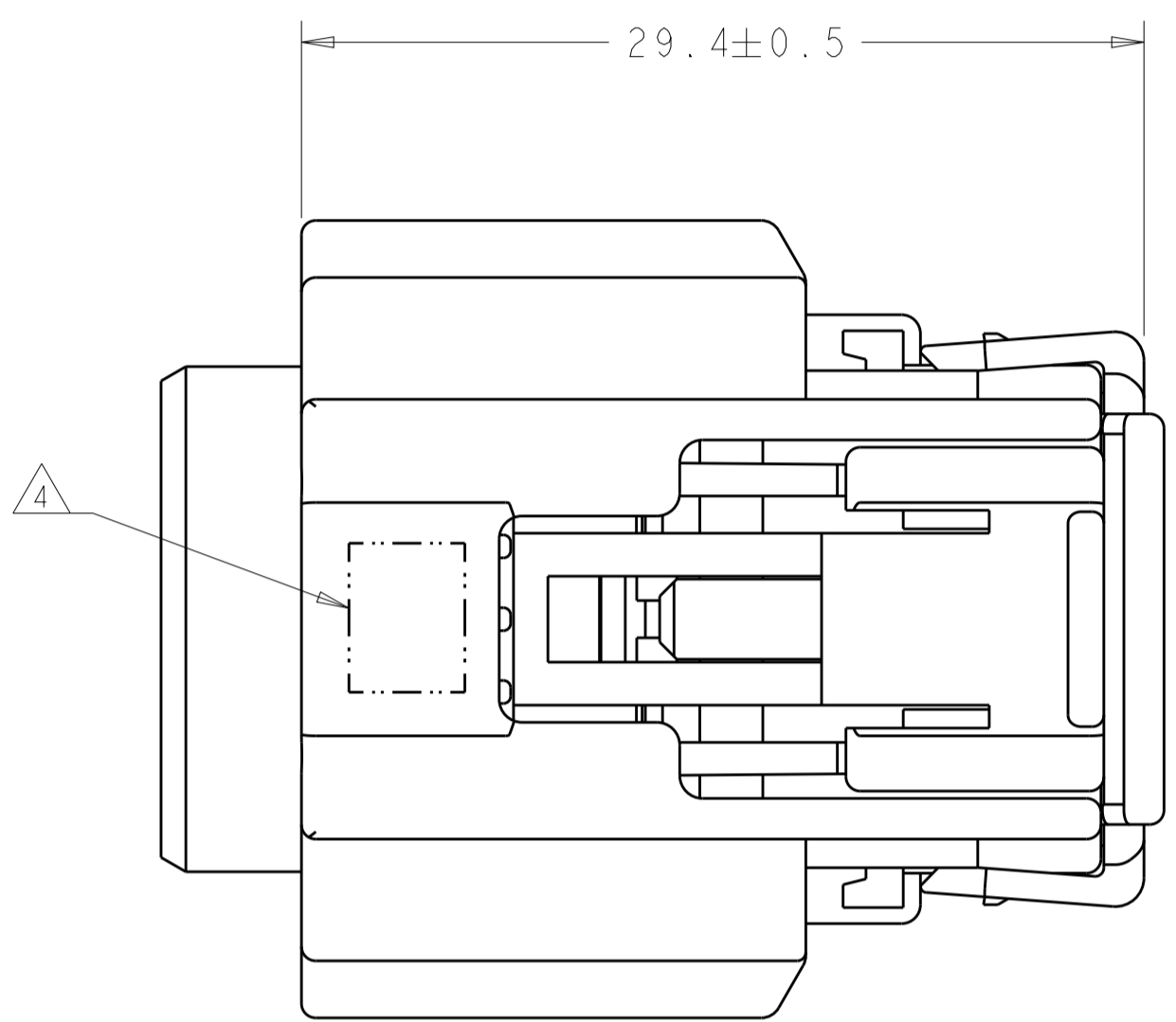


REVISIONS				
P	LTN	DESCRIPTION	DATE	OWN APVD
K7		REVISED PER ECO-11-005030	12MAR2011	RK HMR
K8		REVISED PER ECO-12-003785	16DEC2016	DD MB



- 1. 638517-5 SHOWN.
- 2. PLUG HOUSING: NYLON 6/6, 35% GLASS FILLED, 25% MAX REGRIND. COLOR: SEE TABLE.  
COVER: NYLON 6/6, 35% GLASS FILLED, BLACK, 25% MAX REGRIND.  
TPA: NYLON 6/6, 35% GLASS FILLED, RED, 25% MAX REGRIND.  
PERIPHERAL SEAL AND WIRE SEAL: SILICONE RUBBER, DARK BLUE.  
CPA: PBT, 15% GLASS, RED
- 3. TPA SHOWN IN PRE-LATCHED POSITION.
- 4. MARK FOUR DIGIT JULIAN DATE CODE (DDDY), LOCATED IN APPROXIMATE AREA SHOWN.
- 5. TERMINALS SOLD SEPARATELY, SEE AMP RECOMMENDED P/N 1326028 (GOLD) OR 638551 (TIN) FOR TERMINATION AND REELING OPTIONS.
- 6. PRELIMINARY - NOT RELEASED FOR PRODUCTION.



PLUG HOUSING COLOR	CPA QTY	KEYING ARRANGEMENT (SEE SHEET 2)	PART NUMBER
YELLOW	1	"A"	5-638517-4
BLACK	1	"A"	3-638517-1
BLACK	1	"A"	3-638517-0
BLACK	1	"A"	2-638517-9
BLACK	1	"A"	2-638517-8
BLACK	1	"A"	2-638517-7
BLACK	1	"A"	2-638517-6
BLACK	1	"A"	2-638517-5
TBD	1	"A"	2-638517-4
TBD	1	"A"	2-638517-3
BLACK	1	"A"	2-638517-2
BLACK	1	"A"	2-638517-1
TBD	1	"D"	638517-8
TBD	1	"C"	638517-7
TBD	1	"B"	638517-6
BLACK	1	"A"	638517-5

THIS DRAWING IS A CONTROLLED DOCUMENT. DWN: H. FOLTZ 22FEB00  
CHK: M. SHORE 08MAY01  
APVD: G. BALON 08MAY01

DIMENSIONS: mm  
TOLERANCES UNLESS OTHERWISE SPECIFIED:  
0 PLC ±0.2  
1 PLC ±0.10  
2 PLC ±0.10  
3 PLC ±0.10  
4 PLC ±0.10  
ANGLES ±0.5°  
FINISH

MATERIAL: NYLON 6/6, 35% GLASS FILLED, 25% MAX REGRIND.  
SAE/USCAR-2 8/97

PRODUCT SPEC: SAE/USCAR-2 8/97  
APPLICATION SPEC: SAE/USCAR-2 8/97

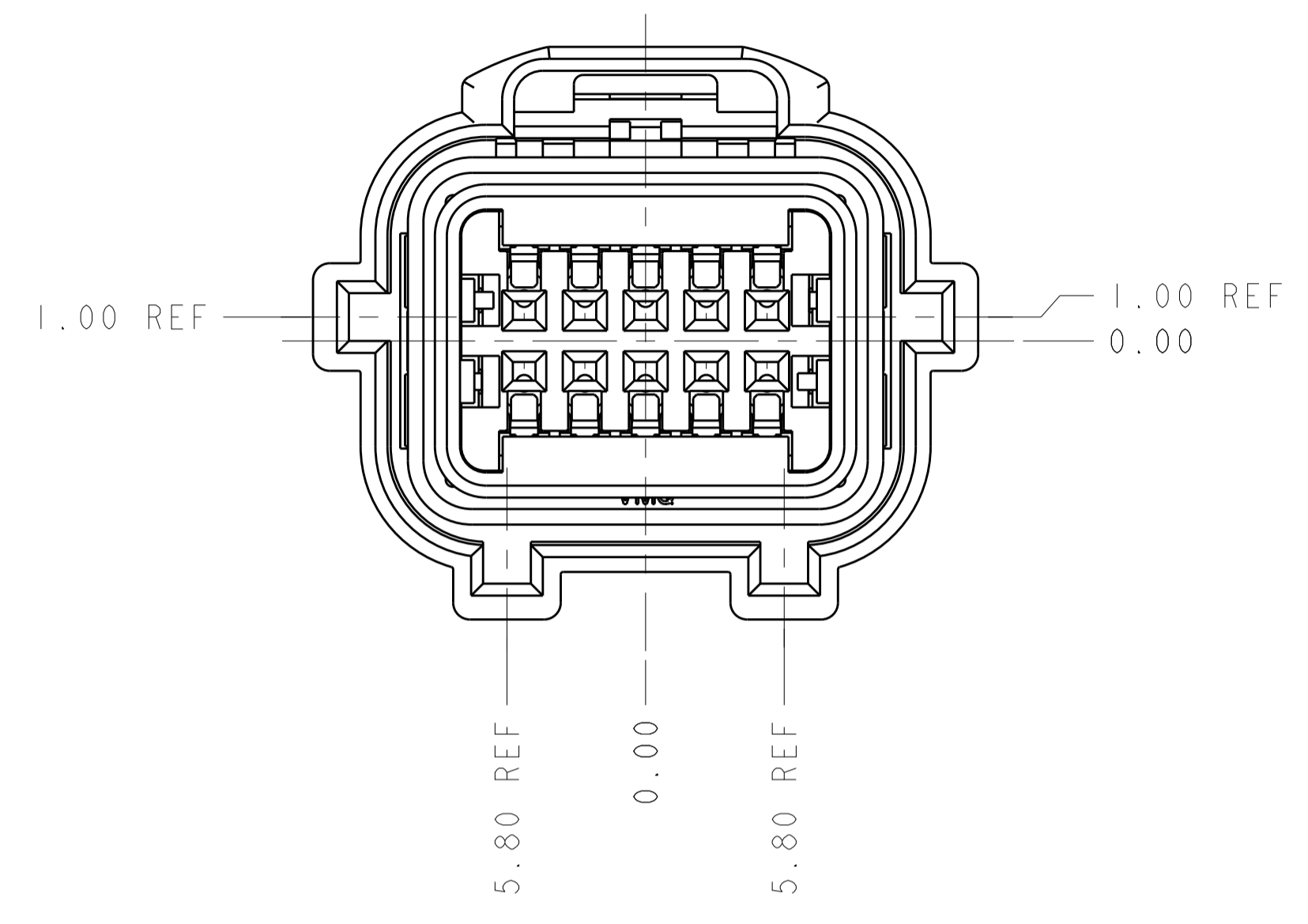
WEIGHT: -  
CUSTOMER DRAWING

SIZE: A1  
CAGE CODE: 100779  
DRAWING NO: 638517  
RESTRICTED TO: -

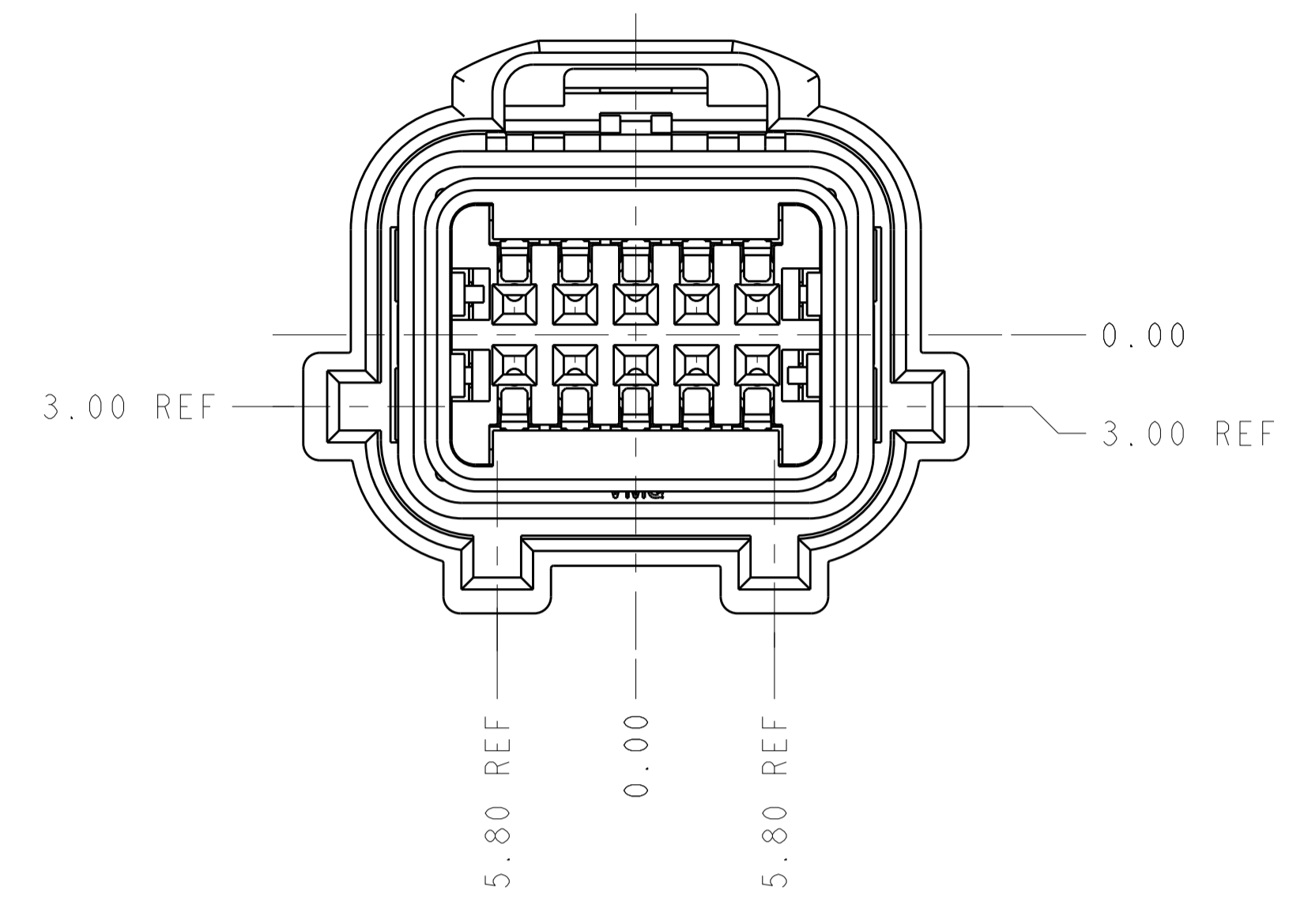
SCALE: 4:1  
SHEET: 1 OF 3  
REV: K8

**TE** TE Connectivity  
PLUG ASSEMBLY, 10 POSITION 2X5, SEALED, 0.64mm CONNECTOR

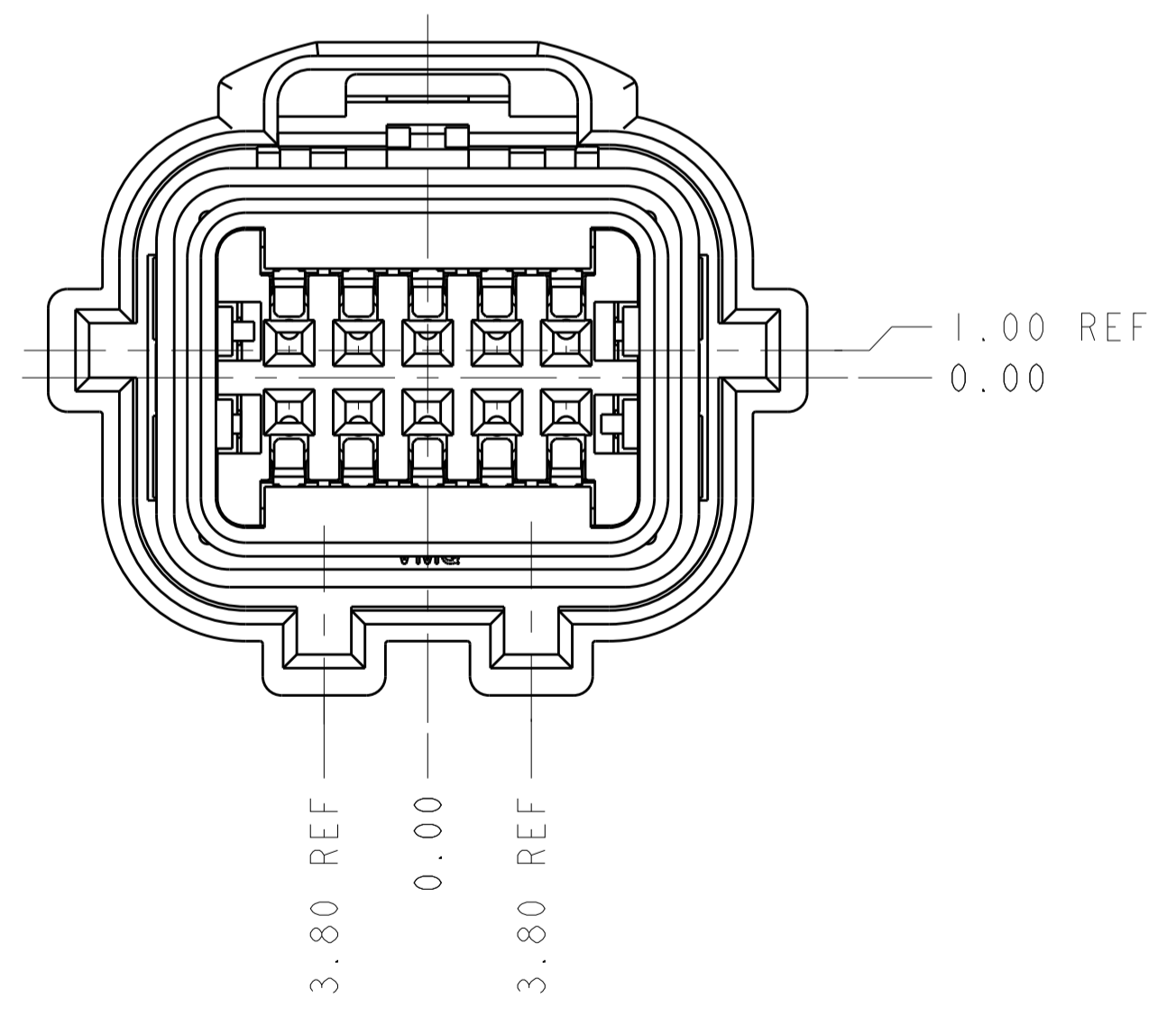
REVISIONS				
P.	LTN	DESCRIPTION	DATE	APVD
-	-	SEE SHEET 1	-	-



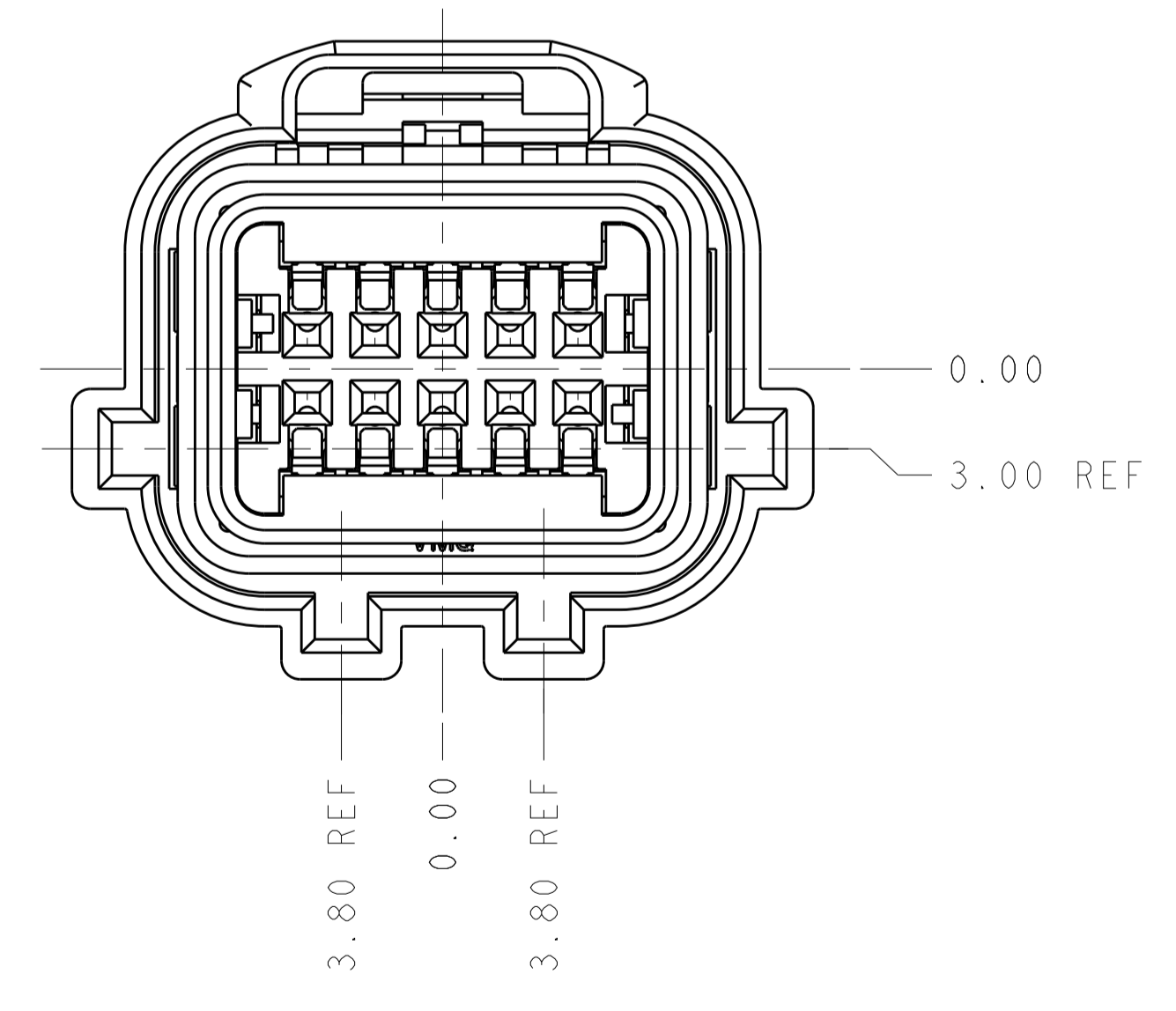
KEY CODE "A"  
 (APPLIES TO -5, 2--1, 2--2,  
 2--3 THRU 3--1 & 5--4 ONLY)  
 SCALE 4:1




KEY CODE "B"  
 (APPLIES TO -6 ONLY)  
 SCALE 4:1



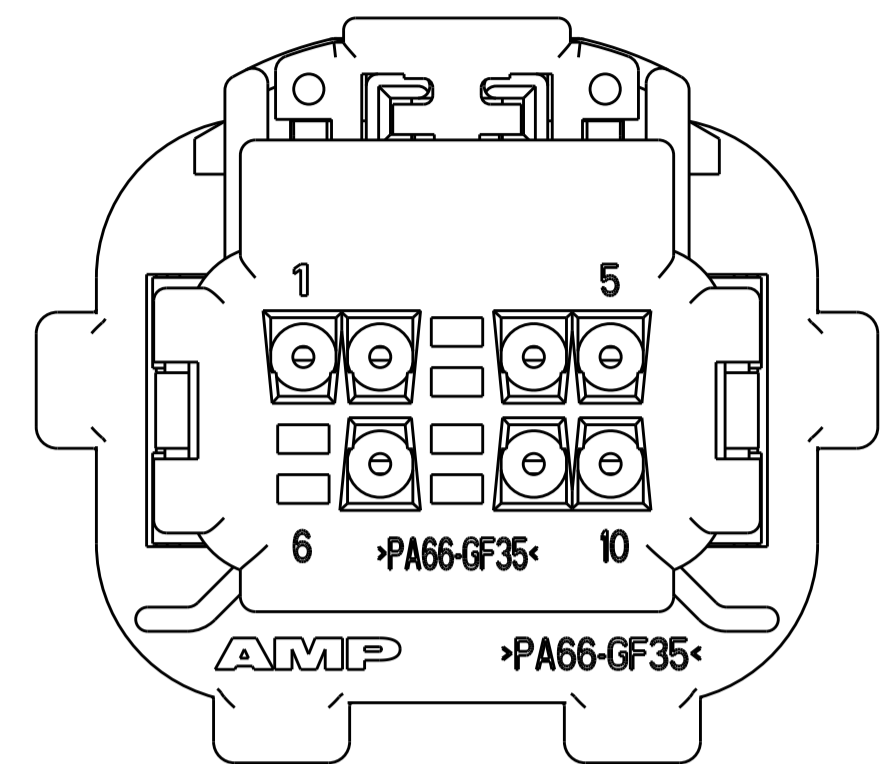
KEY CODE "C"  
 (APPLIES TO -7 ONLY)  
 SCALE 4:1



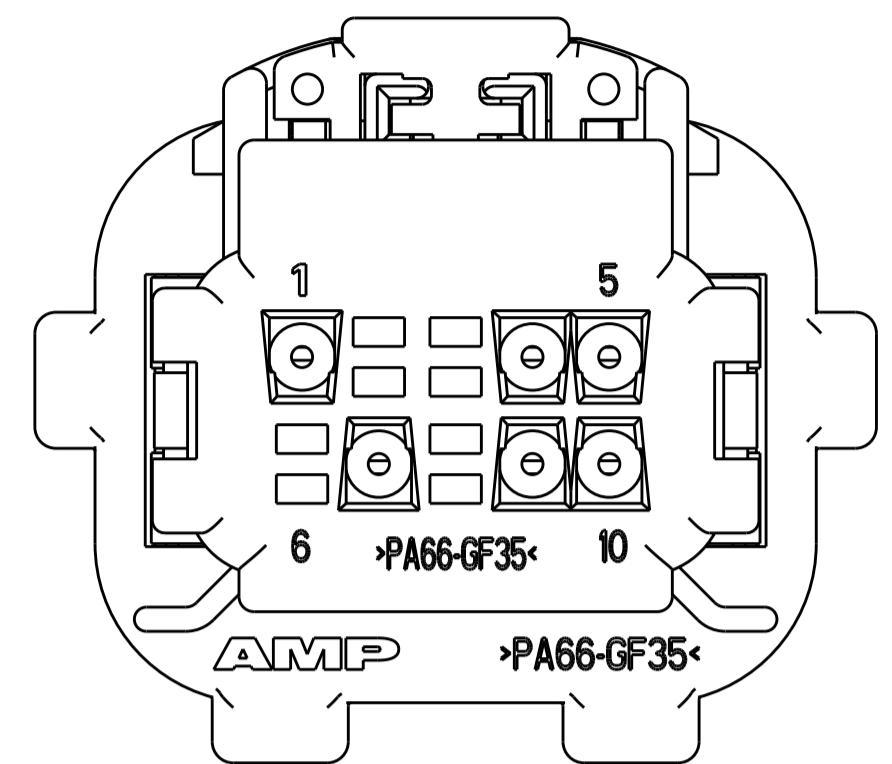
KEY CODE "D"  
 (APPLIES TO -8 ONLY)  
 SCALE 4:1

THIS DRAWING IS A CONTROLLED DOCUMENT.		DWN R. FOLTZ	22FEB00	 TE Connectivity
DIMENSIONS:		CHK M. SHORE	08MAY01	
mm	TOLERANCES UNLESS OTHERWISE SPECIFIED:	APVD G. BALON	08MAY01	NAME
0 PLC	±	PRODUCT SPEC		PLUG ASSEMBLY, 10 POSITION 2X5, SEALED, 0.64mm CONNECTOR
1 PLC	±0.2	SAE/USCAR-2 8/97		
2 PLC	±0.10	APPLICATION SPEC		SIZE
3 PLC	±	FINISH		CAGE CODE
4 PLC	±	MATERIAL		DRAWING NO
ANGLES	±	WEIGHT		RESTRICTED TO
		CUSTOMER DRAWING		A100779
		SCALE		4:1
		SHEET		2 OF 3
		REV		K8

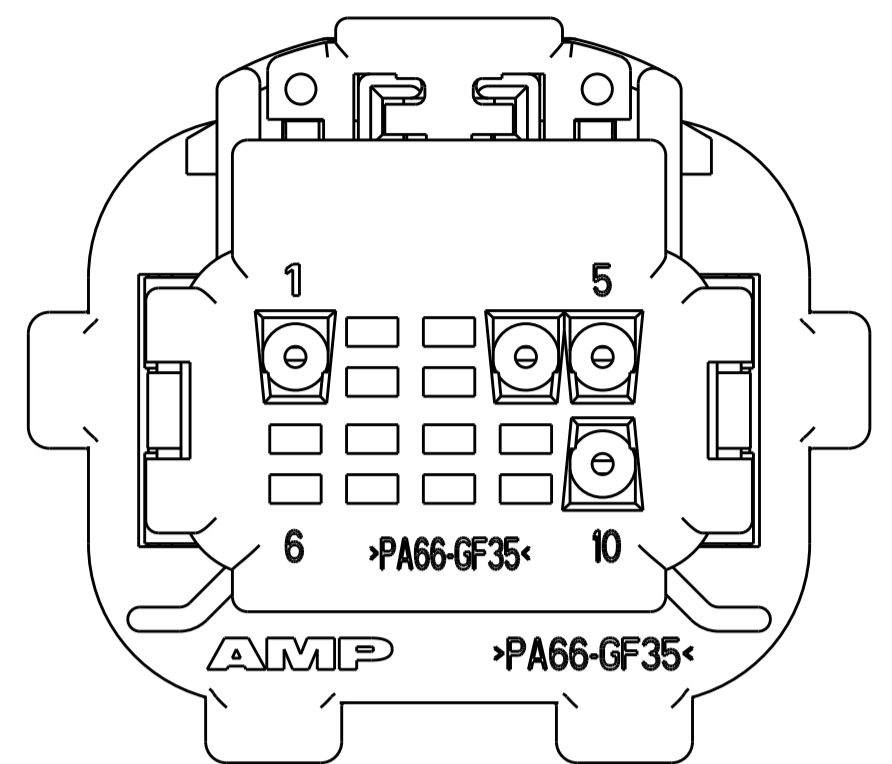
REVISIONS				
P.	LTN.	DESCRIPTION	DATE	APP'D.
-	-	SEE SHEET 1	-	-



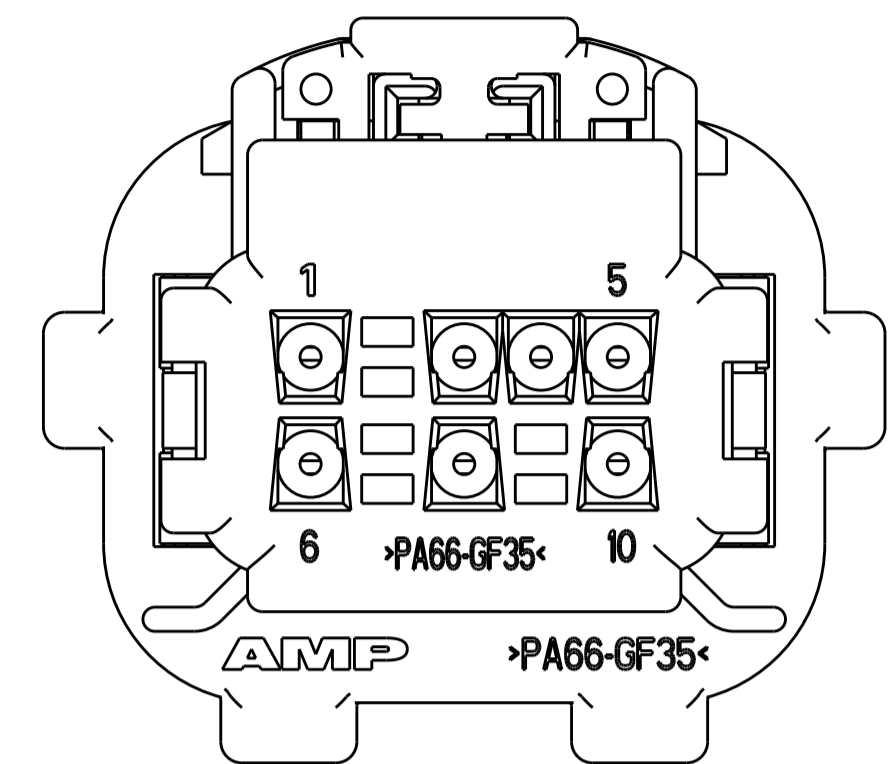
VIEW SHOWS COVER,  
FOR 2-638517-1



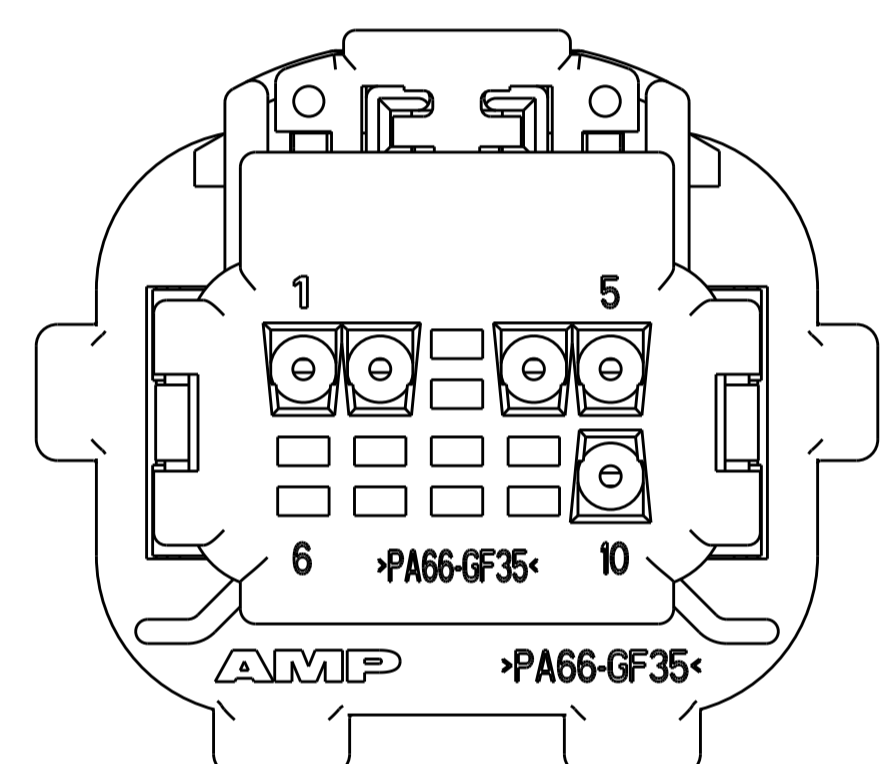
VIEW SHOWS COVER,  
FOR 2-638517-2



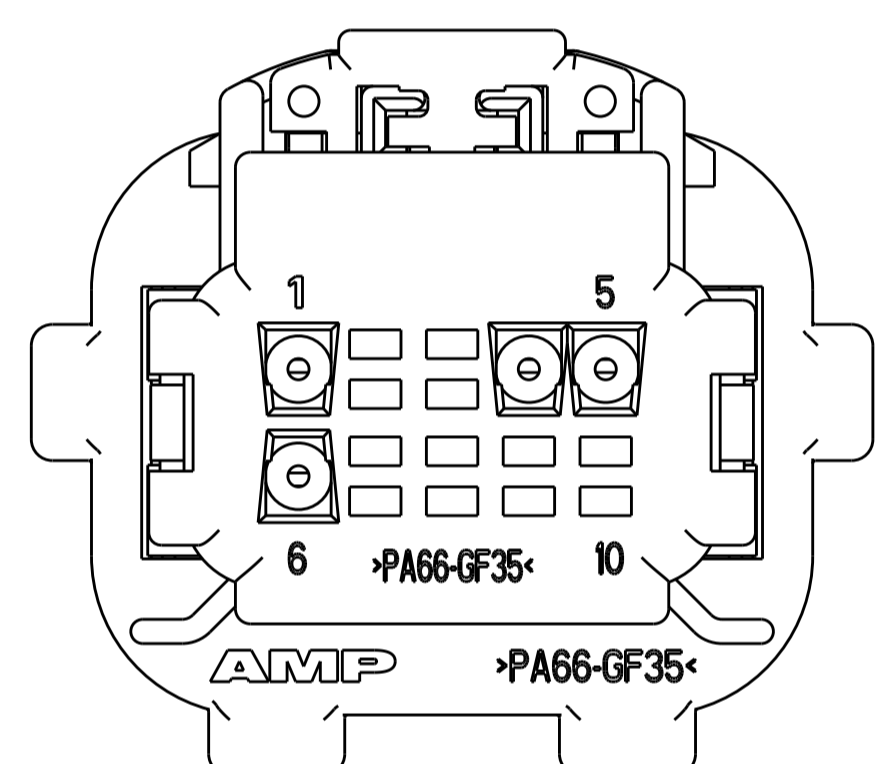
VIEW SHOWS COVER,  
FOR 2-638517-3



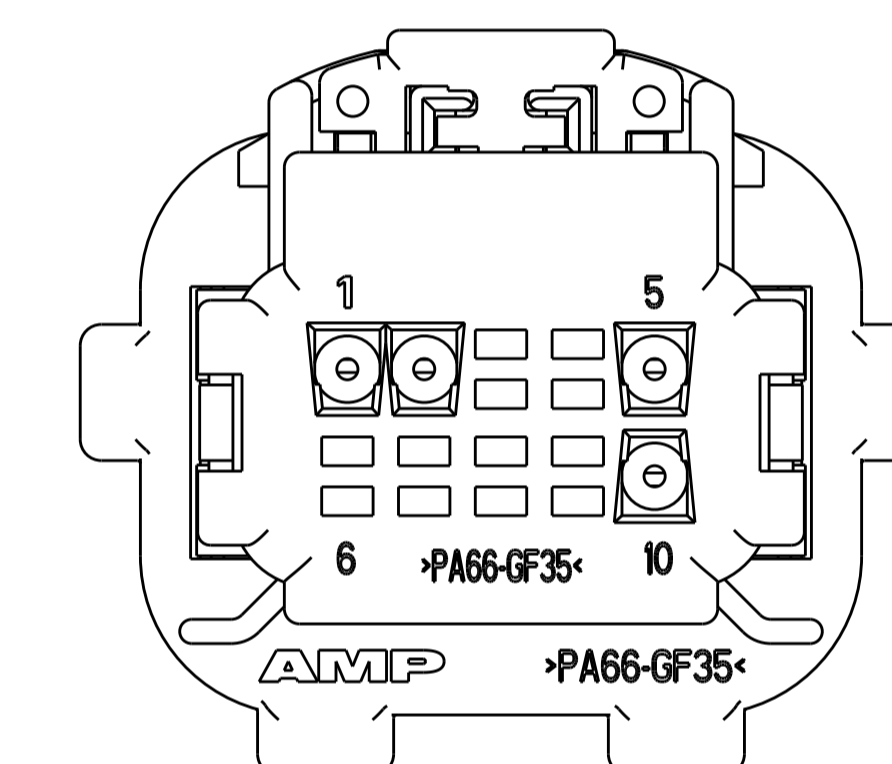
VIEW SHOWS COVER,  
FOR 2-638517-4 & 5-638517-4



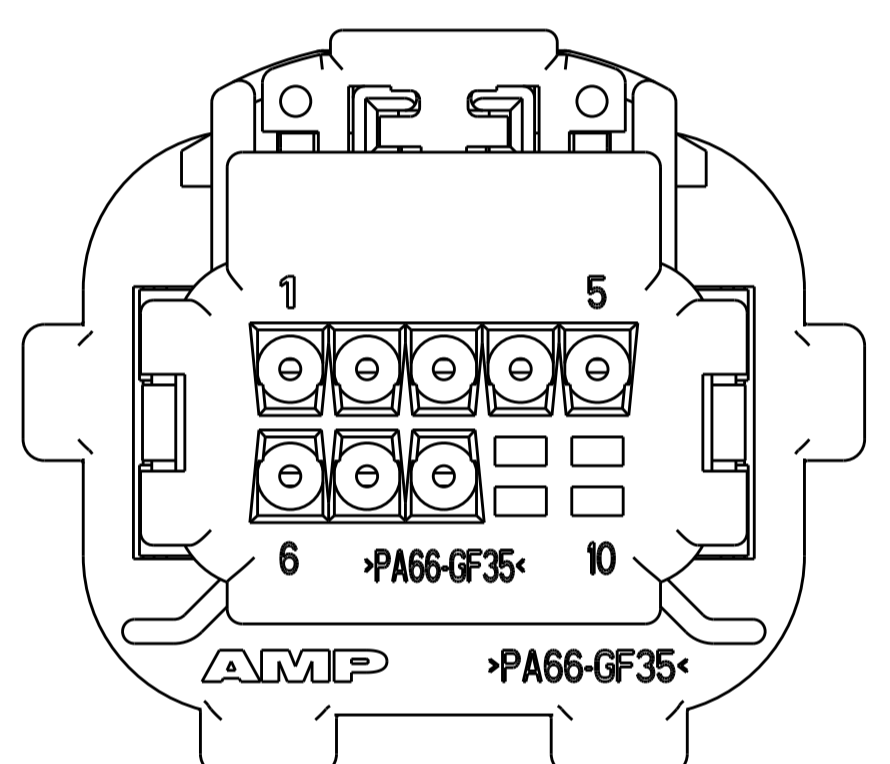
VIEW SHOWS COVER,  
FOR 2-638517-5



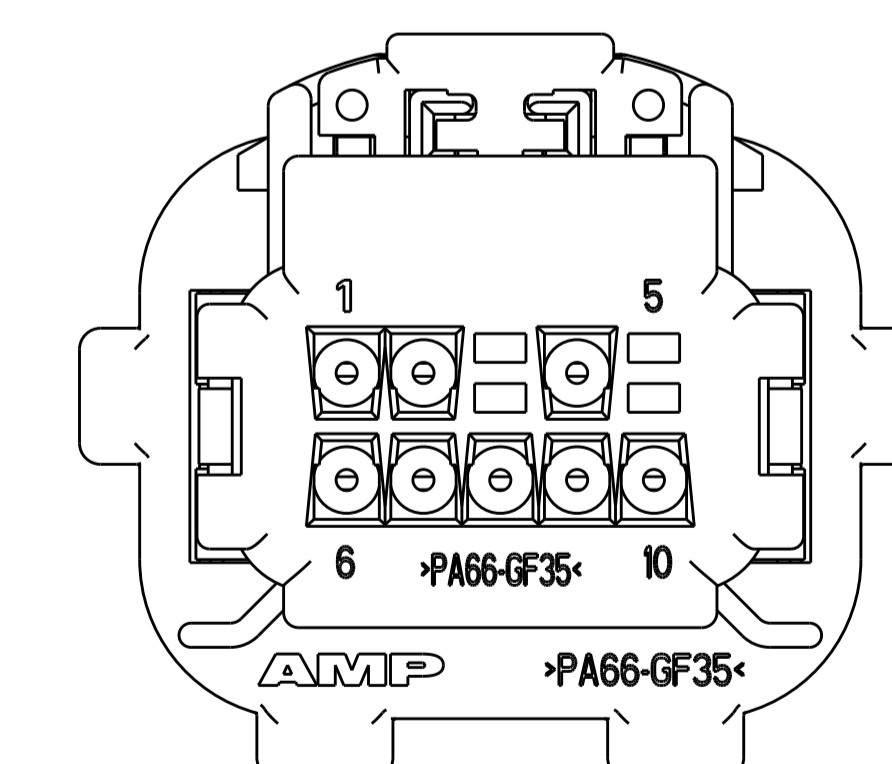
VIEW SHOWS COVER,  
FOR 2-638517-6



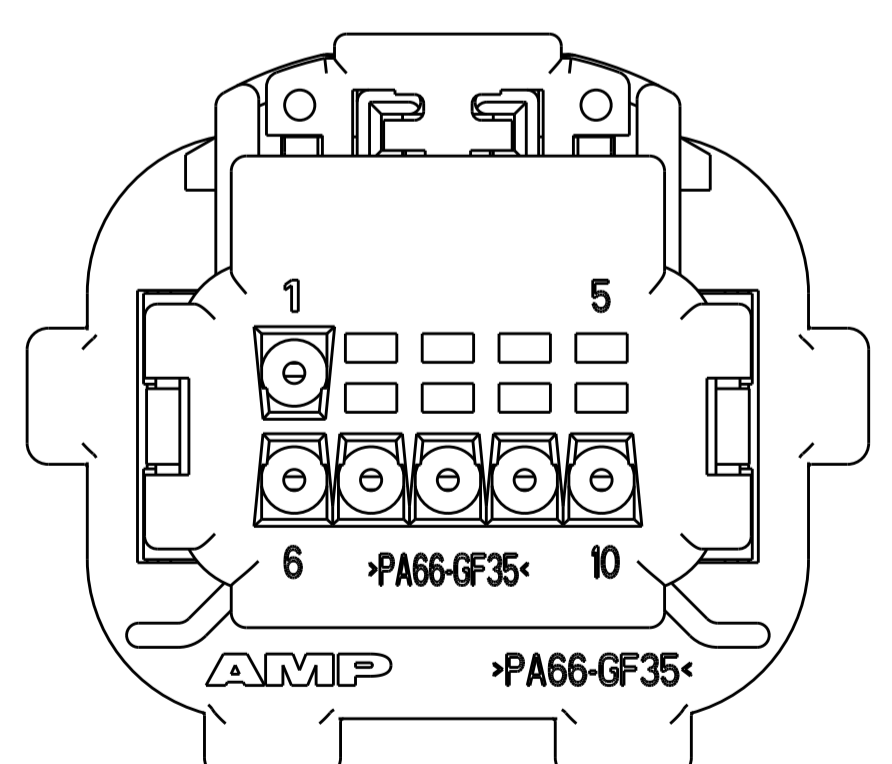
VIEW SHOWS COVER,  
FOR 2-638517-7



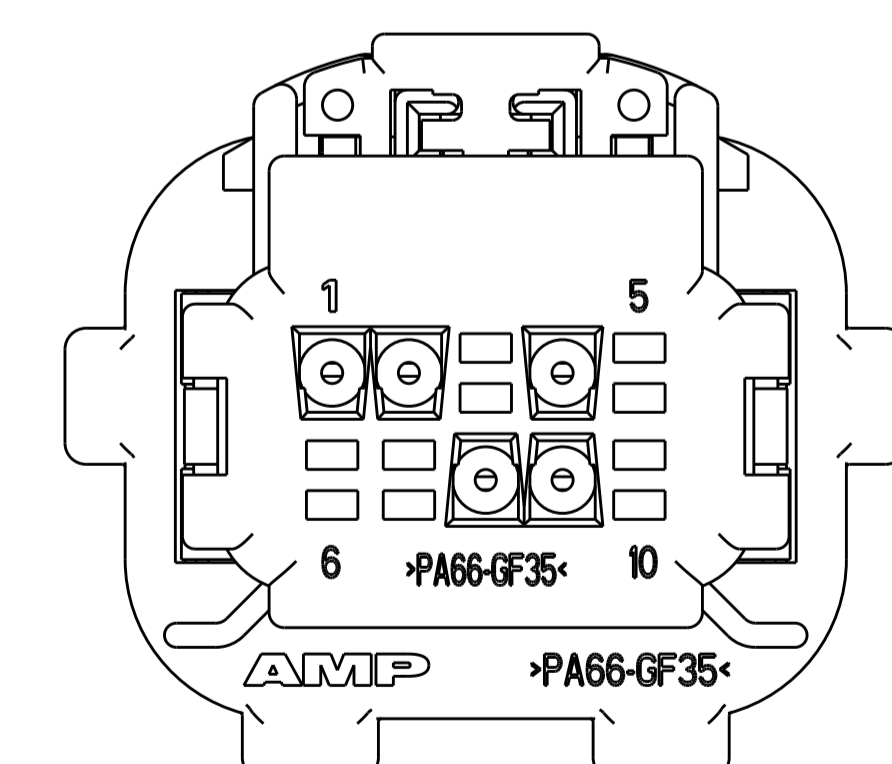
VIEW SHOWS COVER,  
FOR 2-638517-8



VIEW SHOWS COVER,  
FOR 2-638517-9



VIEW SHOWS COVER,  
FOR 3-638517-0



VIEW SHOWS COVER,  
FOR 3-638517-1

THIS DRAWING IS A CONTROLLED DOCUMENT.		OWN: R. FOLTZ 22FEB00	TE Connectivity
DIMENSIONS: mm		CHK: M. SHORE 08MAY01	
TOLERANCES UNLESS OTHERWISE SPECIFIED:		APP'D: G. BALON 08MAY01	NAME: PLUG ASSEMBLY, 10 POSITION 2X5, SEALED, 0.64mm CONNECTOR
0 PLC ±		PRODUCT SPEC: SAE/USCAR-2 8/97	RESTRICTED TO:
1 PLC ±0.2		APPLICATION SPEC:	SIZE: A100779
2 PLC ±0.10		FINISH:	CAGE CODE: 638517
3 PLC ±		WEIGHT:	SCALE: 4:1
4 PLC ±		CUSTOMER DRAWING:	SHEET 3 OF 3
ANGLES ±			REV: K8