

# 1200 series

## Momentary pushbutton switches - round plunger

*Distinctive features and specifications*



- ❑ Butt action contacts, double break
- ❑ NF (EN 61058-1), UL and CSA approved

### ELECTRICAL SPECIFICATIONS

- Max. current/voltage rating with resistive load :
  - silver contacts (A) : 4A 250VAC - 8A 125VAC - 4A 24VDC - 8A 12VDC
  - silver plated copper contacts. (C) : 2A 250VAC - 3A 125VAC  
2A 24VDC - 3A 12VDC
- Initial contact resistance : 10 mΩ
- Insulation resistance : 1.000 MΩ min. at 500VDC
- Dielectric strength :
  - 2.000 Vrms 50 Hz min. between terminals
  - 3.000 Vrms 50 Hz min. between terminals and frame
- Electrical life : 10.000 cycles at full load

### MATERIALS

- Case : polyamide
- Plunger : polyamide
- Bushing : brass, nickel plated
- Contacts :
  - A : silver
  - C : copper, silver plated

### GENERAL SPECIFICATIONS

- Torque : 1,50 Nm (1.10 Ft.lb) max. applied to nut
- Panel thickness : 5 mm (.196) max.
- Total travel :
  - NO : 4,5 (.177) +/- 0,3 (.011)
  - NC : 3,5 (.137) +/- 0,3 (.011)
- Operating temperature : -20°C to +55°C

### AGENCY APPROVALS



EN 61058-1

2A 250VAC or 4A 250VAC, T55/125°C  
All models



4A 250VAC - 8A 125VAC  
All models function 3 (NO)

Models 1233X209 and 1233X209L are standard marked NF.  
To order switches marked NF, UL or CSA, complete appropriate box of ordering format.

### ABOUT THIS SERIES

**Dimensions** : first dimensions are in mm while inches are shown as bracketed numbers.



**Sealing boots** are available to protect the switches against dust and water. They are presented in section H.



**Mounting accessories** : standard hardware supplied :

- silver contact models : 1 hex nut U166 and 1 knurled nut U411
- copper contact models : 1 hex nut U42 and 1 knurled nut U411

Standard and special hardware are presented in section I.

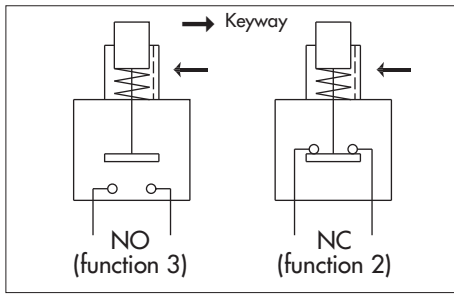


**Packaging unit** : 40 pieces, except model 1200.L (50 pieces).

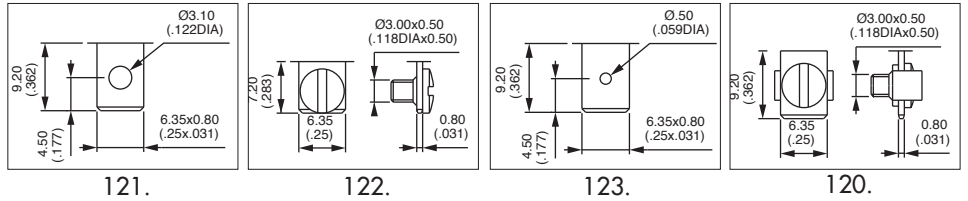
# 1200 series

## Momentary pushbutton switches - round plunger

Solder lug/quick-connect terminals - screw terminals



- Single pole configurations
- Approved models : see following pages
- Panel cut-out :  $\varnothing 12,2 (.480)$



MODEL STRUCTURE

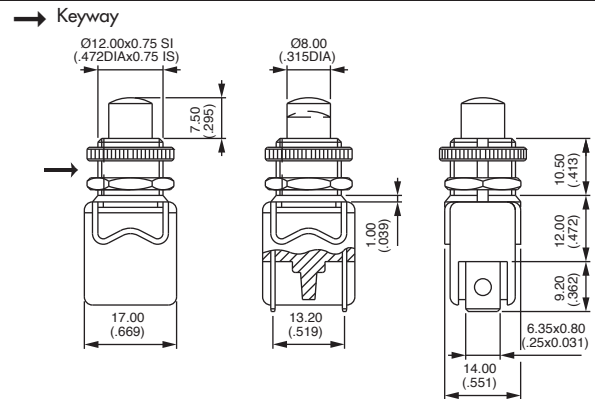


Plunger height : NO model : 7,50 mm, NC model : 5,80 mm

### Solder lug/quick-connect terminals



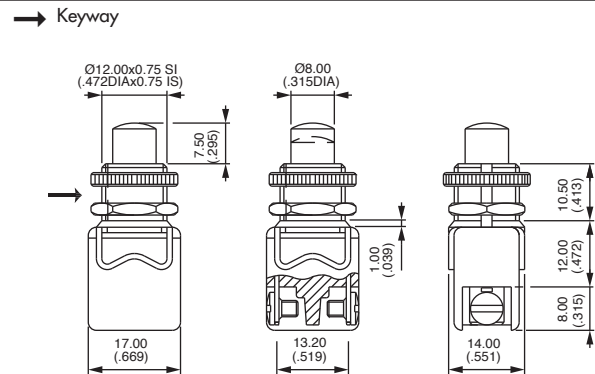
- |      |  |                 |
|------|--|-----------------|
| 1212 |  | Normally Closed |
| 1213 |  | Normally Open   |



### Screw terminals



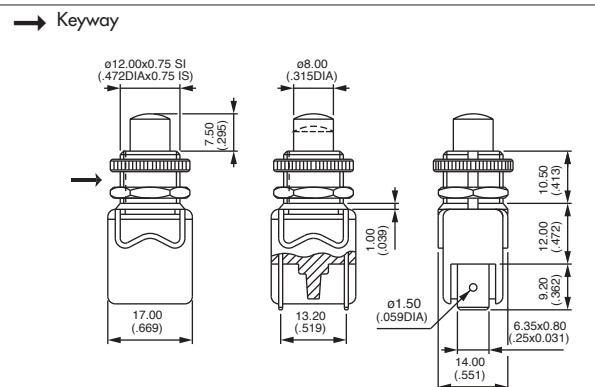
- |      |  |                 |
|------|--|-----------------|
| 1222 |  | Normally Closed |
| 1223 |  | Normally Open   |



### Normalized quick-connect terminals



- |      |  |                 |
|------|--|-----------------|
| 1232 |  | Normally Closed |
| 1233 |  | Normally Open   |





# 1200 series

## Momentary pushbutton switches - round plunger

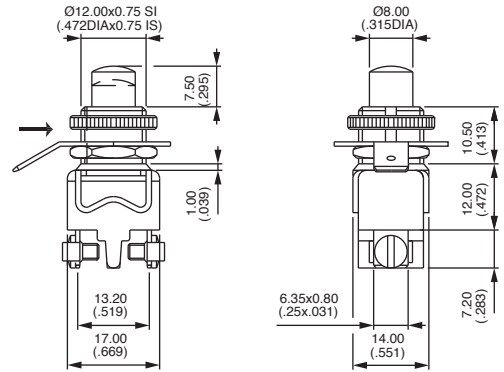
Plunger height : NO model : 7,50 mm, NC model : 5,80 mm

### Straight screw terminals + clamp



1202		Normally Closed
1203		Normally Open

→ Keyway

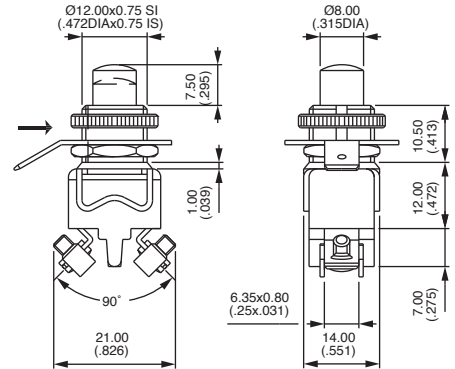


### Right angle screw terminals + clamp

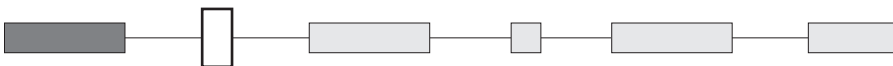


1203-7		Normally Open
--------	--	---------------

→ Keyway



### CONTACT MATERIALS



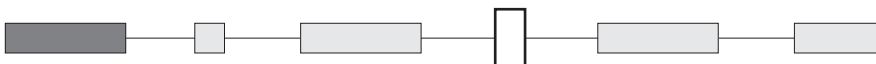
- A Silver
- C Copper, silver plated

### FINISH



- LUXE Chrome plated cap nut U117 instead of knurled nut U411

### PLUNGER COLOURS



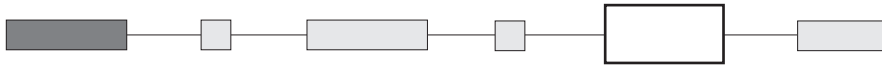
- 2 : Black - 3 : Green - 6 : Red - 7/1 : White

# 1200 series


## Momentary pushbutton switches - round plunger



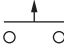
### SPECIAL MODELS



**X209** NF standard marked - Silver contacts

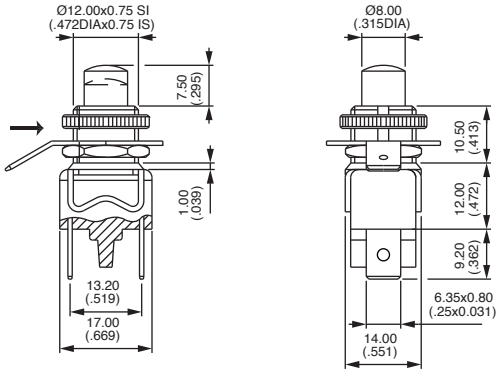


**1233AX209**




Normally open


→ Keyway



**X209L** NF standard marked - Silver contacts

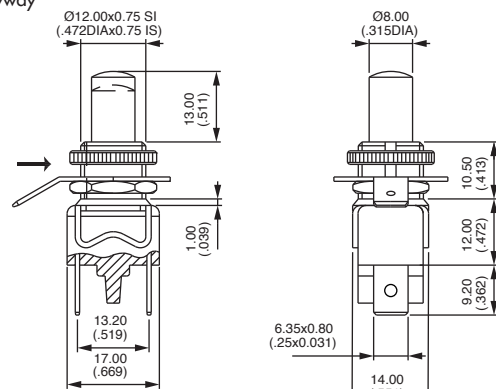


**1233AX209L**



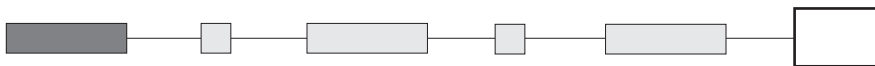
Normally open

→ Keyway



 **NOTE :** Ground connector **U187** compulsory on models X209 and X209L if the panel is not metallic or not connected to ground. Order separately : see section I.

### AGENCY APPROVALS



**NF** All models

**UL-CSA** All models function 3 (NO), including X209 and X209L

**Marking :** to order switches marked NF, UL or CSA, complete above box with desired approvals.

# 1200M/MR series

Robust momentary pushbutton switches - metal plunger

*Distinctive features and specifications*



Butt action contacts, double break

UL and CSA approved

## ELECTRICAL SPECIFICATIONS

- Max. current/voltage rating with resistive load :
  - silver contacts (A) : 4A 250VAC - 8A 125VAC - 4A 24VDC - 8A 12VDC
  - silver plated copper contacts (C) : 2A 250VAC - 3A 125VAC - 2A 14VDC - 3A 12VDC
- Initial contact resistance : 10 mΩ max.
- Insulation resistance : 1.000 MΩ min. at 500VDC
- Dielectric strength :
  - 2.000 Vrms 50 Hz min. between terminals
  - 3.000 Vrms 50 Hz min. between terminals and frame
- Electrical life : 10.000 cycles at full load

## MATERIALS

- Case : polyamide
- Plunger : top chrome plated brass on polyamide base
- Bushing : brass, nickel plated
- Cap nut : brass, chrome plated
- Contacts : **A** : silver  
**C** : copper, silver plated

## GENERAL SPECIFICATIONS

- Torque : 1,50 Nm (1.10 Ft.lb) max. applied to nut
- Panel thickness : 4,5 mm (.177) max.
- Total travel :
  - NO : 4,5 mm (.177) +/- 0,3 (.011)
  - NC : 3,5 mm (.137) +/- 0,3 (.011)
- Operating temperature : -20°C to +55°C

## AGENCY APPROVALS



4A 250VAC - 8A 125VAC

**Availability** : approved models are 1213A and 1203A (M or MR)  
(model 1223A is only UL approved).

**Marking** : to order switches marked UL or CSA, complete appropriate box of ordering format.

## ABOUT THIS SERIES

**Dimensions** : first dimensions are in mm while inches are shown as bracketed numbers.



**Mounting accessories** : standard hardware supplied with all models : 1 hex nut U166 and 1 conic cap nut U1866-6.  
Special cap nut U1874 is presented on the following pages.

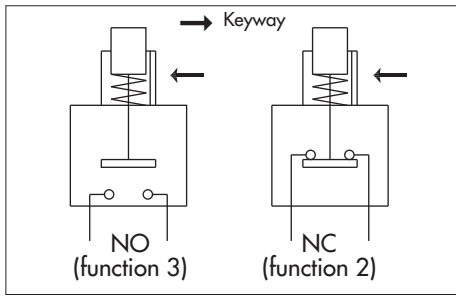


**Packaging unit** : 40 pieces

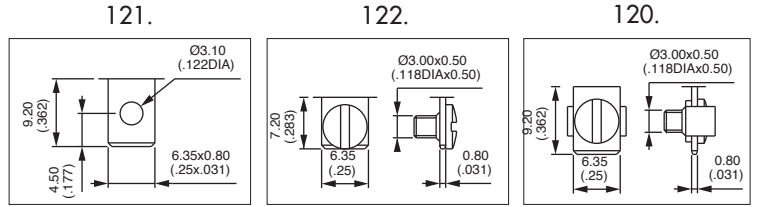
# 1200M/MR series

## Robust momentary pushbutton switches - metal plunger

Solder lug/quick-connect terminals - screw terminals



- Flat or curved plunger
- Panel cut-out  $\varnothing 12,2 (.480)$
- Single pole



MODEL STRUCTURE



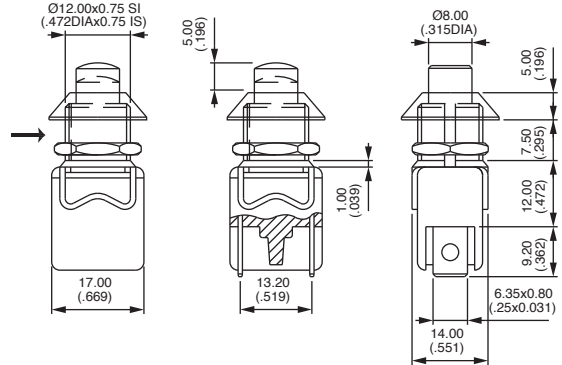
B2

### Solder lug/quick-connect terminals 6,35 x 0,8 (.250 x .031) → Keyway



Curved plunger Flat plunger

1212MR	1212M		NC
1213MR	1213M		NO

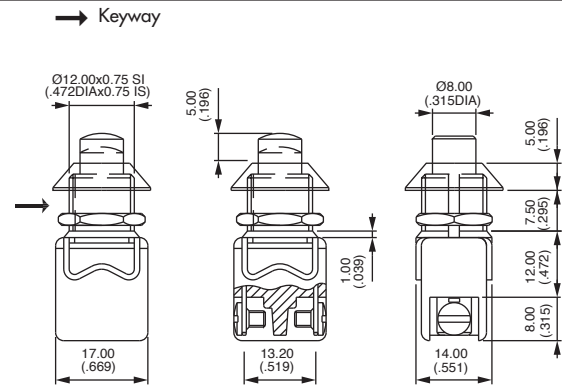


### Screw terminals



Curved plunger Flat plunger

1222MR	1222M		NC
1223MR	1223M		NO

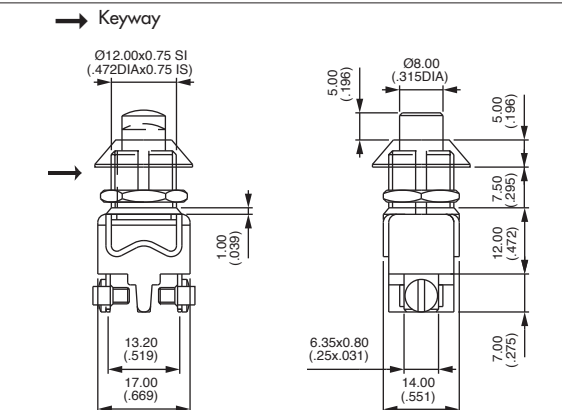


### Screw terminals + clamp



Curved plunger Flat plunger

1202MR	1202M		NC
1203MR	1203M		NO

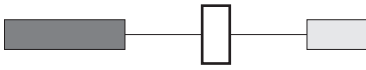




# 1200M/MR series

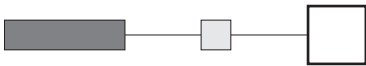
Robust momentary pushbutton switches - metal plunger

## CONTACT MATERIALS



- A Silver
- C Copper, silver plated

## AGENCY APPROVALS



UL - CSA

**Availability** : approved models are 1213A and 1203A (M or MR) - model 1223A is only UL approved.

**Marking** : to order switches marked UL or CSA, complete above box with desired approvals.

## SPECIAL CAP NUT

Chrome plated cap nut  $\varnothing 16$  (.629), flat and plain.  
Can be supplied instead of standard cap nut U1866-6.  
Order separately.

