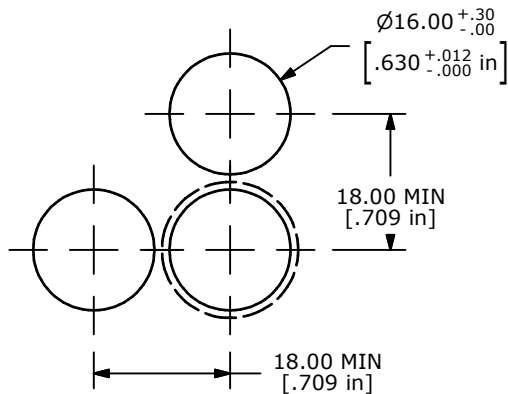
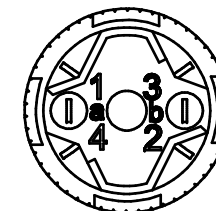
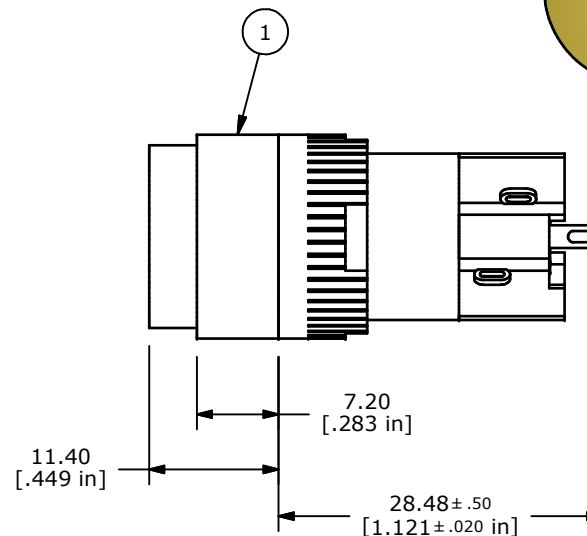
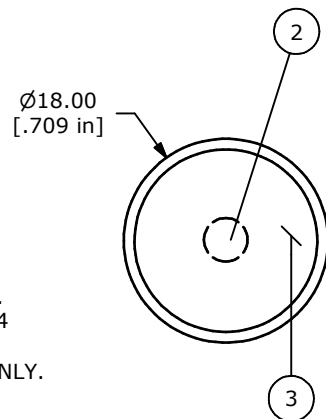
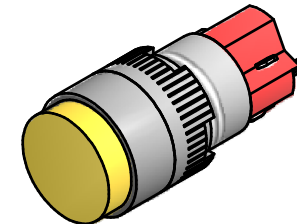
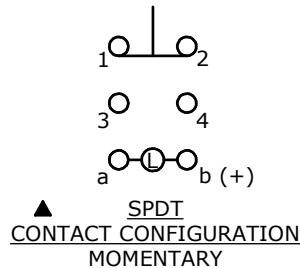


ITEM	QTY	PART NUMBER	DESCRIPTION
1	1	F040009	D16OAR11
2	1	F050424	50-004-24 24VDC YELLOW LED
3	1	F050118	50-001-16 ROUND, FLAT, OPAQUE, YELLOW LENS



PANEL MOUNTING



NOTE:

1. ALL DIMENSIONS IN MM [INCH].
2. GENERAL TOLERANCE: X.X=±0.4  
X.XX=±0.25
3. TERMINAL NUMBERS FOR REF ONLY.
4. RATING: 5A @ 250VAC UL, VDE  
8A @ 125VAC UL, VDE  
6A @ 24VDC  
0.2A @ 250VDC
5. ELECTRICAL LIFE: 50,000 MAKE-AND-BREAK CYCLES  
AT FULL LOAD min.
6. INSULATION RESISTANCE: 1,000 MEGA-OHM min.
7. OPERATING TEMP.: -25°C to +55°C
- ▲ 8. LAMP VOLTAGE: 24V DC LED (YELLOW)
9. PANEL THICKNESS = 0.5mm TO 5.0 mm
10. ▲ DENOTES CRITICAL PARAMETER.
11. PACKAGE: BOX / 20 PIECES PER BOX
12. DEGREE OF PROTECTION: IP40
13. TRAVEL: 3.00 mm.
14. 2002/95/EC (ROHS) COMPLIANT.



TITLE D16OAR11KYELYEL

A	18257	RELEASED FOR PRODUCTION	9/24/08	BLR
REV	PCR NO	DESCRIPTION	DATE	BY

SCALE	DATE	DR	DWG	REV
2:1	9/24/2008	AR	XF0768P	A

THE INFORMATION CONTAINED IN THIS DOCUMENT IS PROPRIETARY TO E-SWITCH AND IS NOT TO BE COPIED OR TRANSFERRED