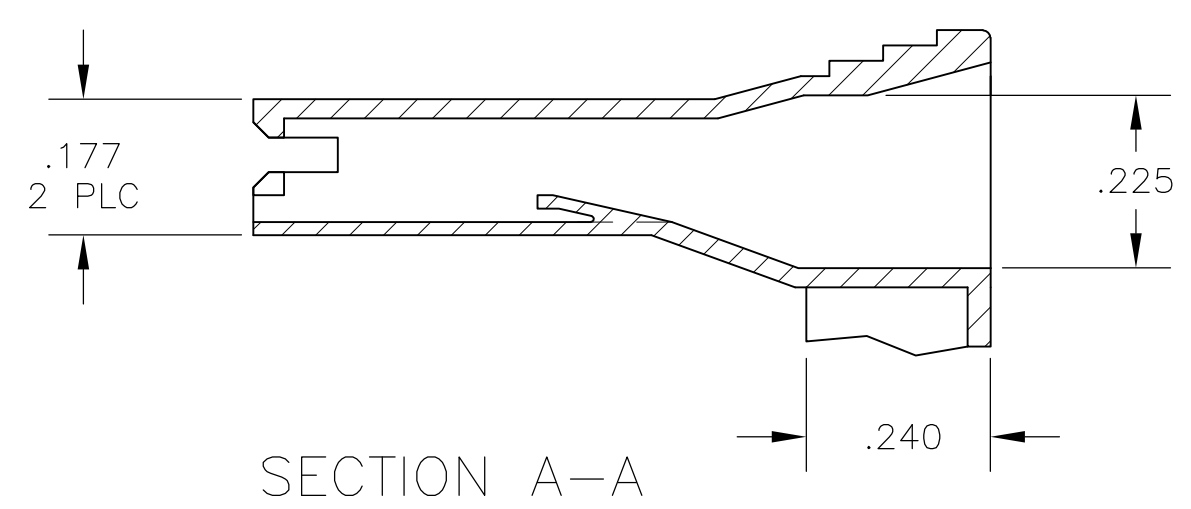
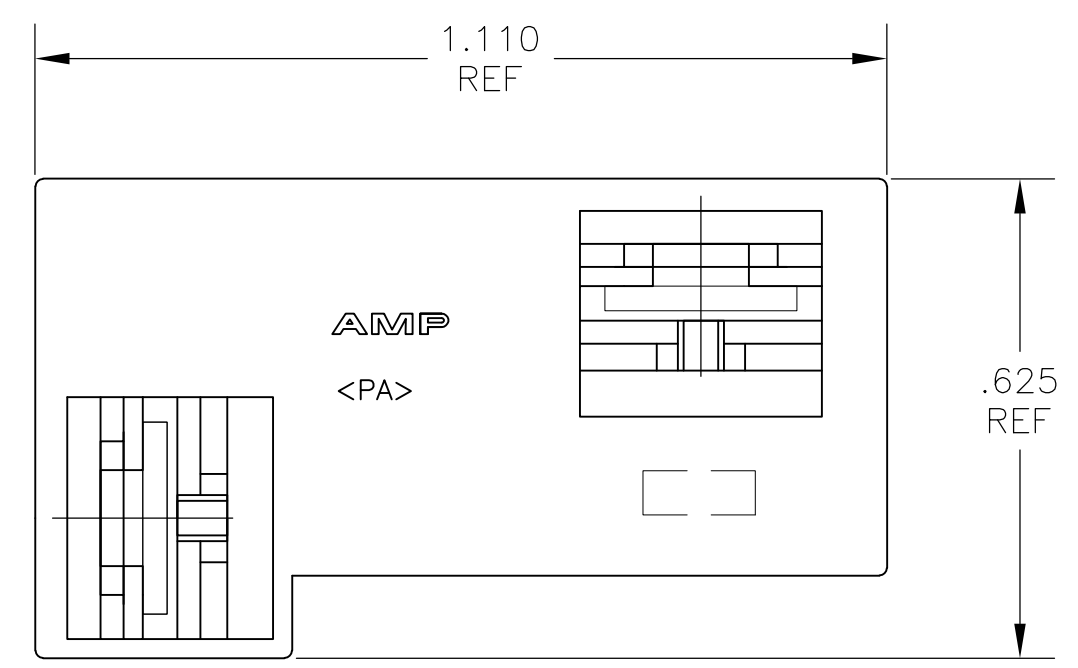
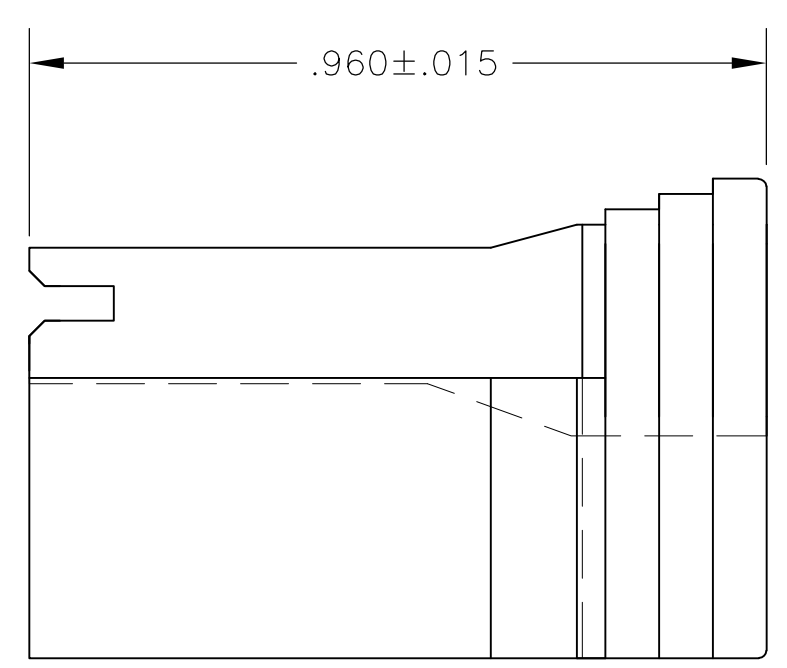
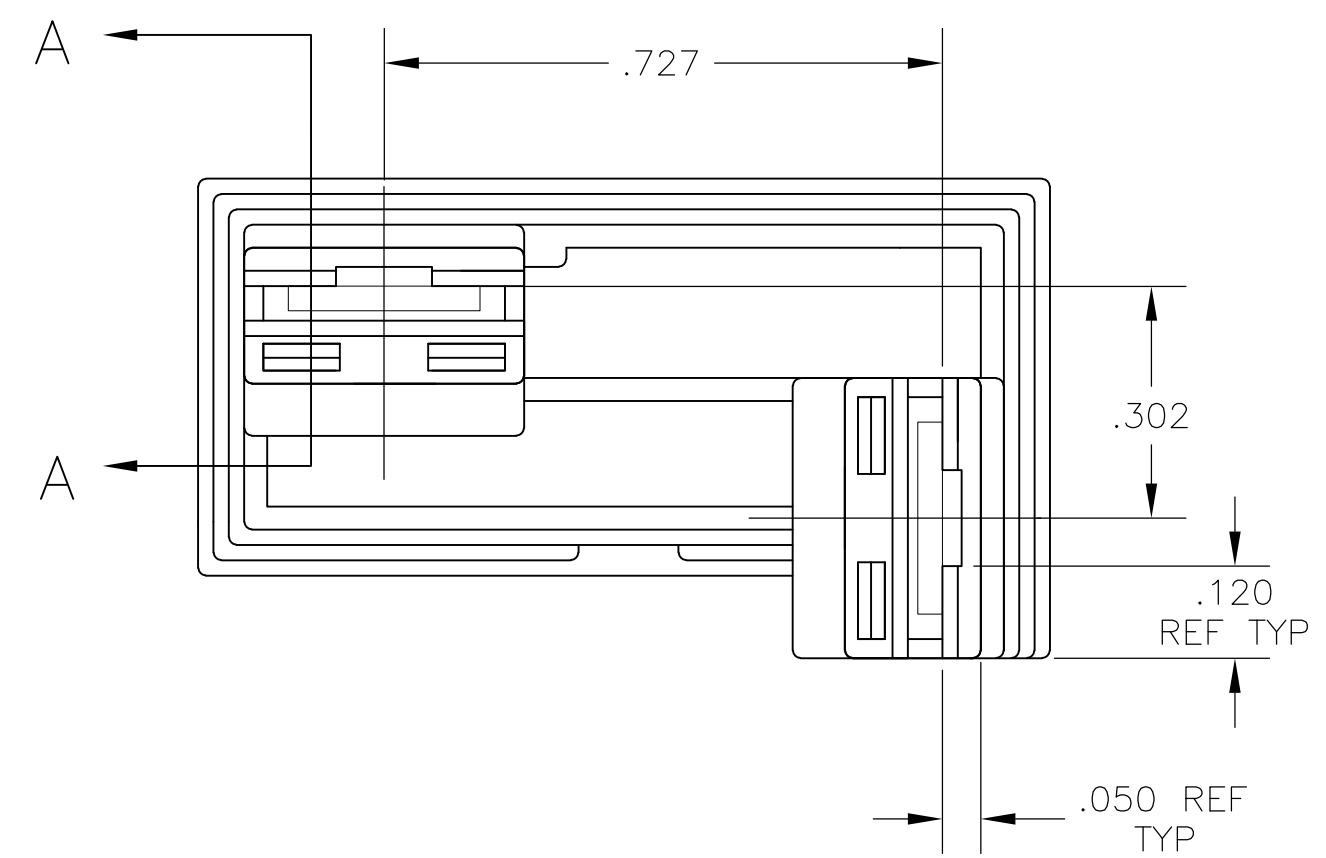
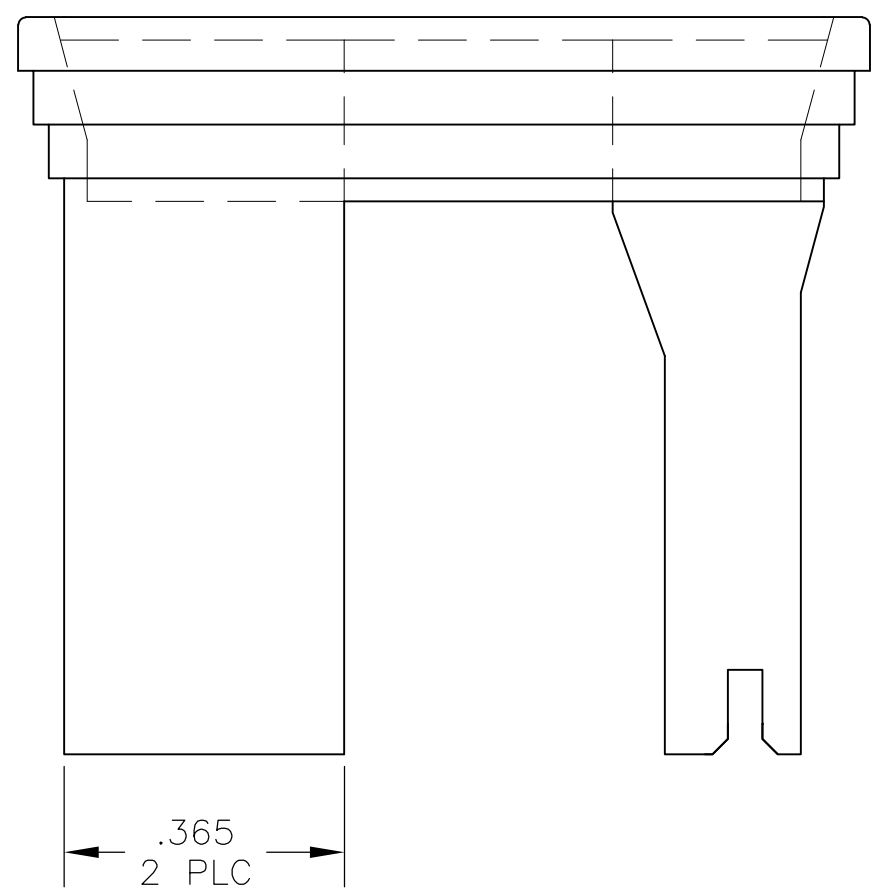


THIS DRAWING IS UNPUBLISHED. RELEASED FOR PUBLICATION
 © COPYRIGHT - By - ALL RIGHTS RESERVED.

LOC	DIST	REVISIONS					
		P	LTR	DESCRIPTION	DATE	DWN	APVD
AF	50	C2		REVISED PER ECR-17-005517	18APR2017	BW	GG

- 1 ACCEPTS .250 SERIES FASTON RECEPTACLE 63435-1 OR 63306-1.
- 2 FOR PROPER MATING, THE MATING TAB MUST BE A MIN. OF .375 LONG.
- 3 MATING TAB CENTERLINES MUST BE VERIFIED BY CUSTOMER.
- 4 MATERIAL: POLYIMIDE UL94, V2. ACCORDING TO IEC 60355-1, GLOW WIRE.
- 5 PRELIMINARY - NOT FOR PRODUCTION.
- 6 PA6, UL94 V0 AND HIGH TEMPERATURE VERSION 150C



COLOR	MATERIAL	PART NO	
BLACK	6 NYLON, V0	521785-4	
NATURAL	6	521785-3	
NATURAL	4	5	521785-2
NATURAL	66 NYLON, V0	521785-1	

THIS DRAWING IS A CONTROLLED DOCUMENT.

DWN	jr ruth	09FEB05
CHK	P DESANTIS	09FEB05
APVD	P DESANTIS	09FEB05

TE Connectivity

HOUSING, RECEPTACLE, FASTON, 2 POSITION, .250 SERIES

SIZE	A2	CAGE CODE	00779	DRAWING NO	C=521785	RESTRICTED TO	-
SCALE	4:1	SHEET	1 of 1	REV	C2		

521785

A