

## DETAILS

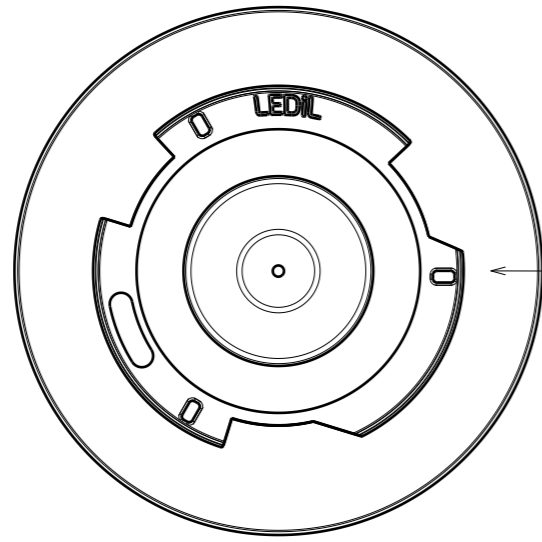
<b>Product Number</b>	C15800_MOLLY-S
<b>Family</b>	Molly
<b>Type</b>	Lens
<b>Color</b>	clear
<b>Diameter</b>	69,8 mm
<b>Height</b>	24,8 mm
<b>Style</b>	round
<b>Optic Material</b>	PMMA
<b>Holder Material</b>	
<b>Fastening</b>	
<b>Status</b>	production ready
<b>ROHS Compliant</b>	Yes
<b>Date Updated</b>	12/04/2017



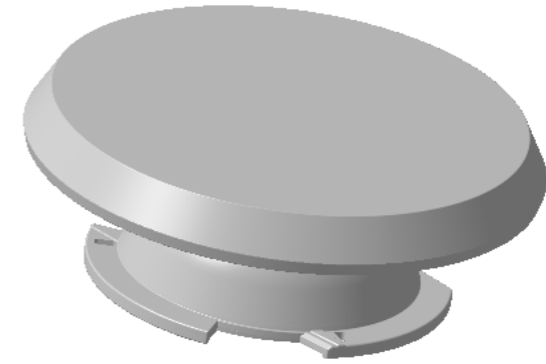
## OPTICAL PROPERTIES

LED	Viewing	Light	Effi-		Connector
	Angle	Beam	ciency	cd/lm	
CLL03x/CLU03x	23 deg	Spot	87 %	3.870	Bender Wirth: 433 Typ L1
CLL02x/CLU02x (LES10)	sim: 16	Spot	sim: 87 %	sim: 8.780	Bender Wirth: 434 Typ L1
CXA/B 1816 & CXA/B 1820 & CXA 1850	sim: 19	Spot	sim: 89 %	sim: 6.450	LEDiL: C14123_CLAMP-CXA15-18
CXA/B 25xx	sim: 25	Spot	sim: 85 %	sim: 3.500	LEDiL: C14036_CLAMP-CXA25-30
SLE G6 LES19 H	sim: 26	Spot	sim: 81 %	sim: 3.070	TE: OPTIC CLIP Z50 TYPE1 2213194-1
SLE G6 LES17 H	sim: 27	Spot	sim: 85 %	sim: 3.700	TE: OPTIC CLIP Z50 TYPE1 2213194-1
SLE G6 LES15 H D50	sim: 23	Spot	sim: 82 %	sim: 0.000	TE: OPTIC CLIP Z50 TYPE1 2213194-1

Bottom view  
Scale: 1:1

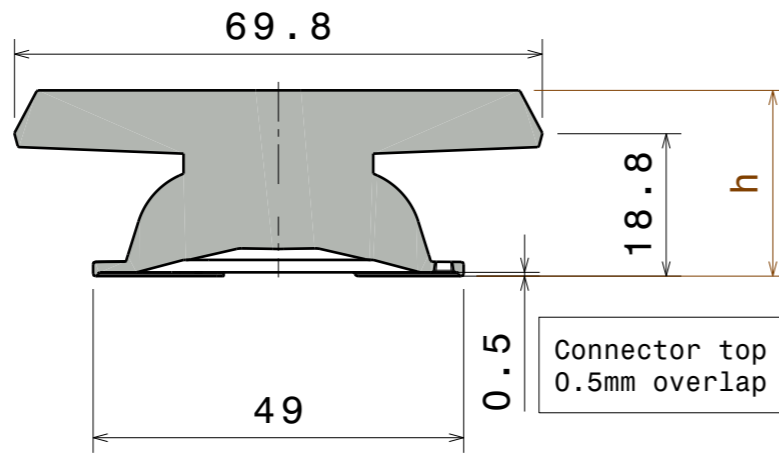


Direct bayonet fit to standard 3-hook connector designs

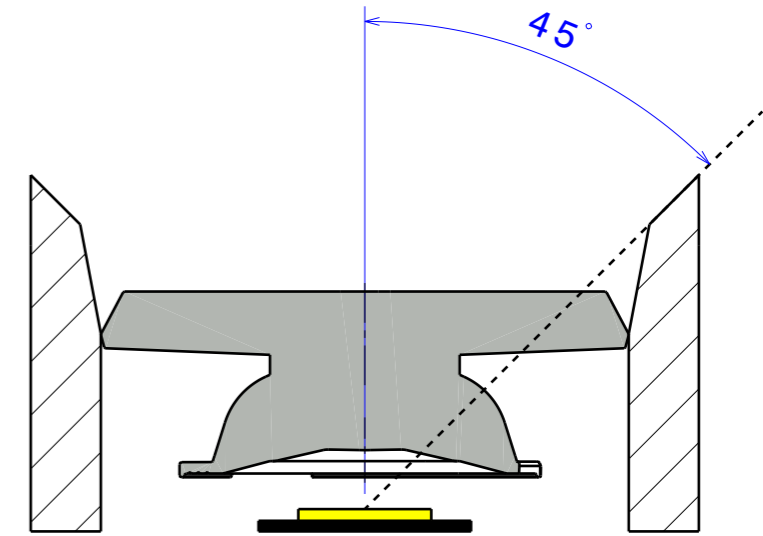


Isometric view  
Scale: 1:1

Section view A-A  
Scale: 1:1

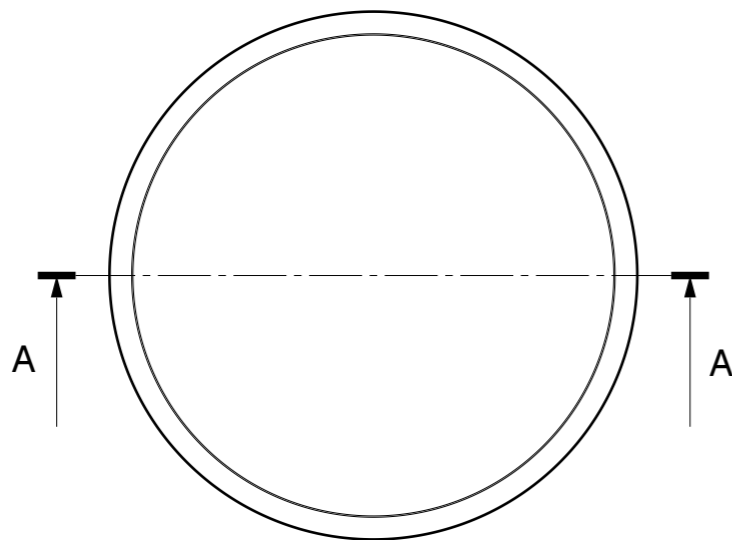


Connector top edges  
0.5mm overlap with optic



Typical recessed mounting

Top view  
Scale: 1:1



Part no. h

C15800_MOLLY-S	24.8
C15801_MOLLY-M	23.6
C15802_MOLLY-W	22.1

INDEX	PART NO	DESCRIPTION	MATERIAL	COLOUR
1	C15800 C15801 C15802	MOLLY	PMMA	Clear

Tolerances if not otherwise shown  
According to DIN ISO 2768-1  
Linear measures:  
Up to 30mm class F, otherwise class M.  
According to DIN ISO 2768-2  
Form and position: class K  
Control for SPC marked dimensions.



Ledil Oy  
Salorankatu 10  
FIN 24240 SALO  
Finland

THIRD ANGLE PROJECTION:

DRAWING TITLE

MOLLY

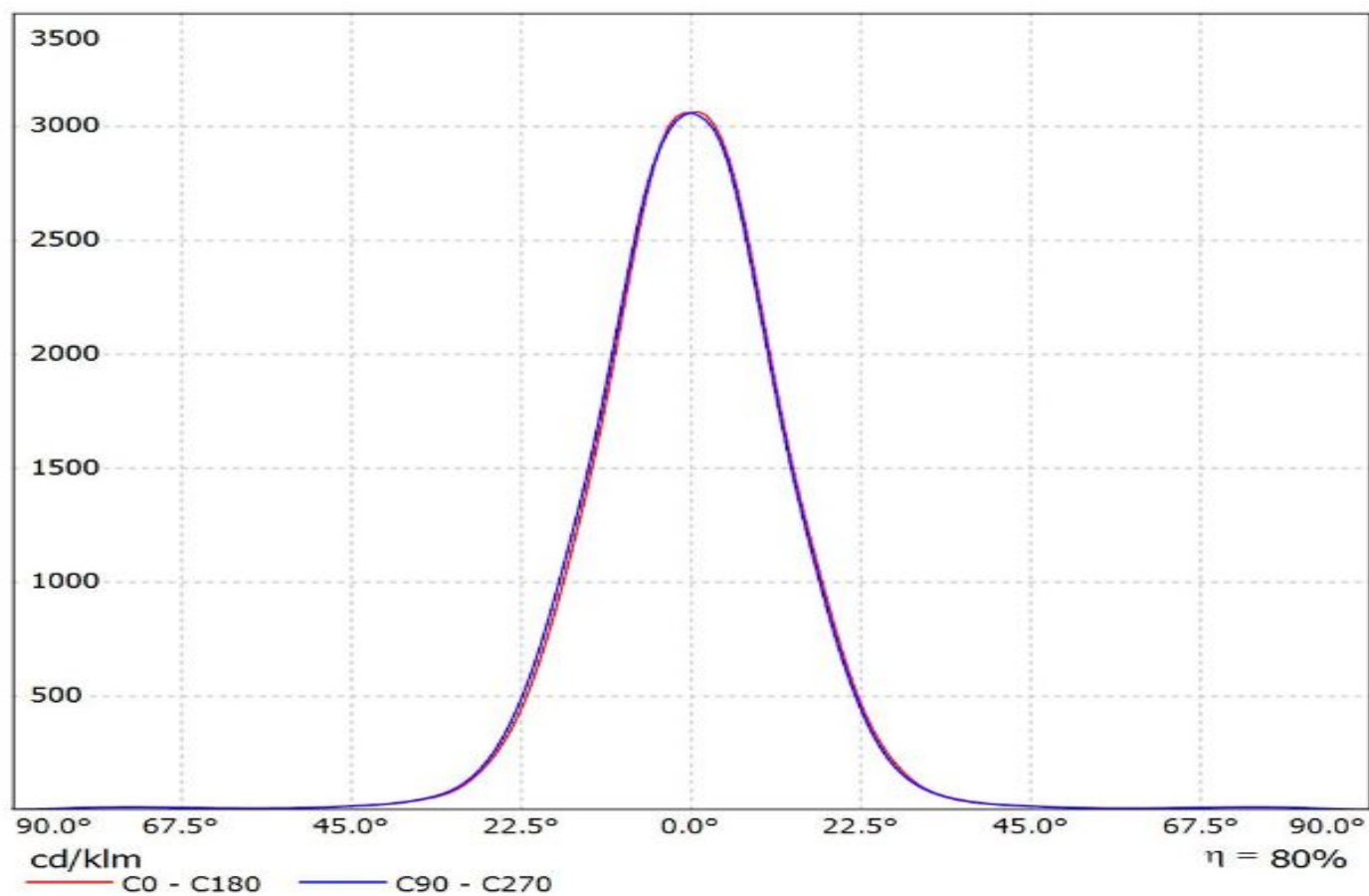
This drawing is the property  
of LEDiL Oy. It may not be  
reproduced, copied or  
communicated without a written  
agreement with LEDiL Oy.

SIZE PART NUMBER

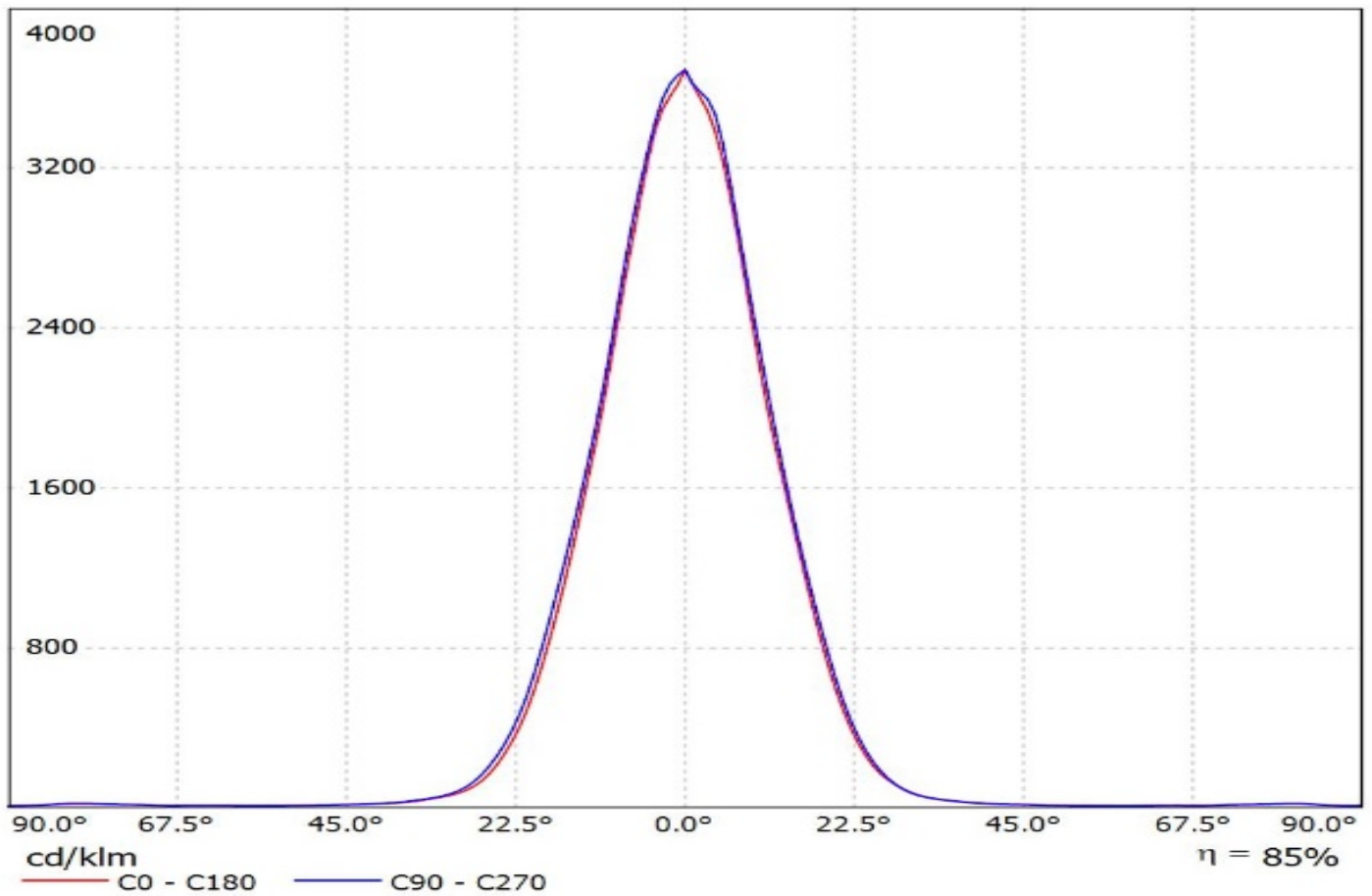
A3 C15800\_ C15801, C15802

SCALE 1:1 WEIGHT - g SHEET 1/1

Luminaire: Ledil Oy C15800\_MOLLY-S\_+\_TE\_2213194-  
1\_Z50\_Optical\_Clip\_Type1\_TRIDONIC\_SLE\_G6\_LES19\_H\_SIMULATED  
Lamps: 1 x TRIDONIC SLE G6 LES19 H

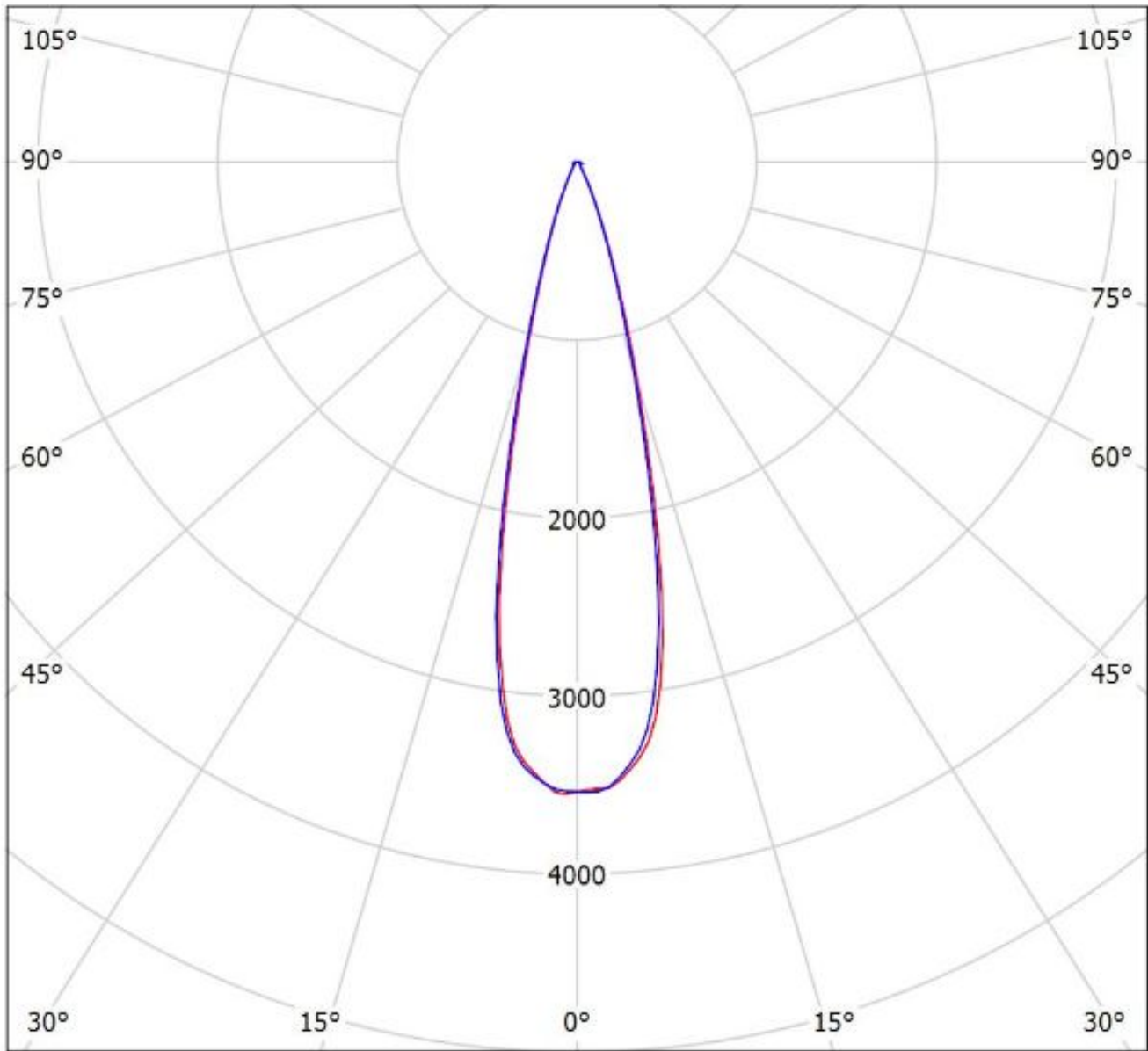


Luminaire: Ledil Oy C15800\_MOLLY-S\_(SLE\_G6\_LES17\_H)\_ (2213194-1)\_SIMULATED  
Lamps: 1 x Tridonic SLE G6 LES17 H + Tyco Electronics 2213194-1 optic clip



Luminaire: Ledil CN15803\_MOLLY-S\_(CLU034)

Lamps: 1 x Citizen\_CLU034\_(CLU034-1205B8-303M1A2)\_1164.66lm@250mA\_P=8.5215W\_I=0.250A+KA15411



cd/klm

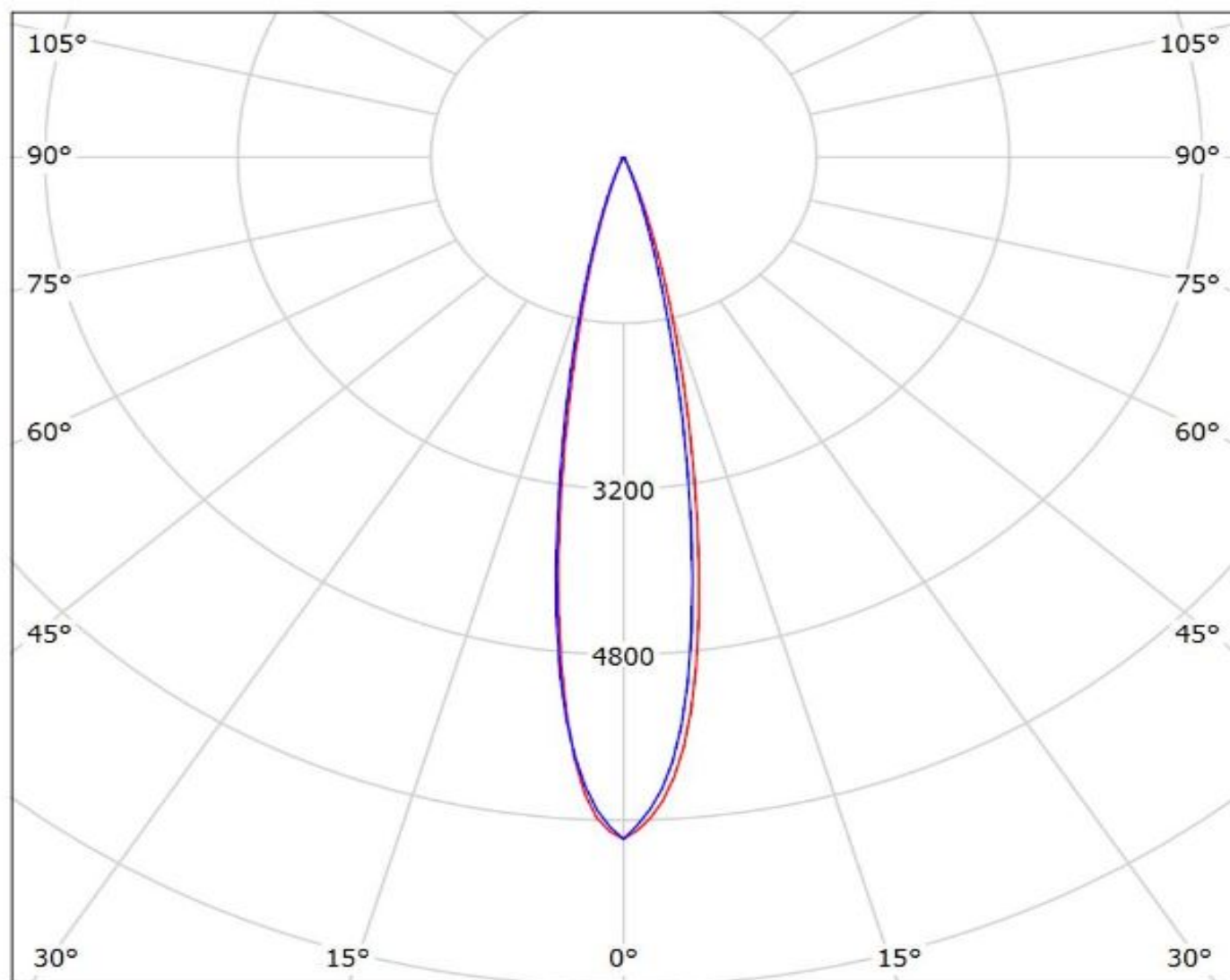
— C0 - C180 — C90 - C270

$\eta = 87\%$

# Ledil Oy C15800\_MOLLY-S\_simulated\_CXA1820 / LDC (Polar)

Luminaire: Ledil Oy C15800\_MOLLY-S\_simulated\_CXA1820

Lamps: 1 x 980LM

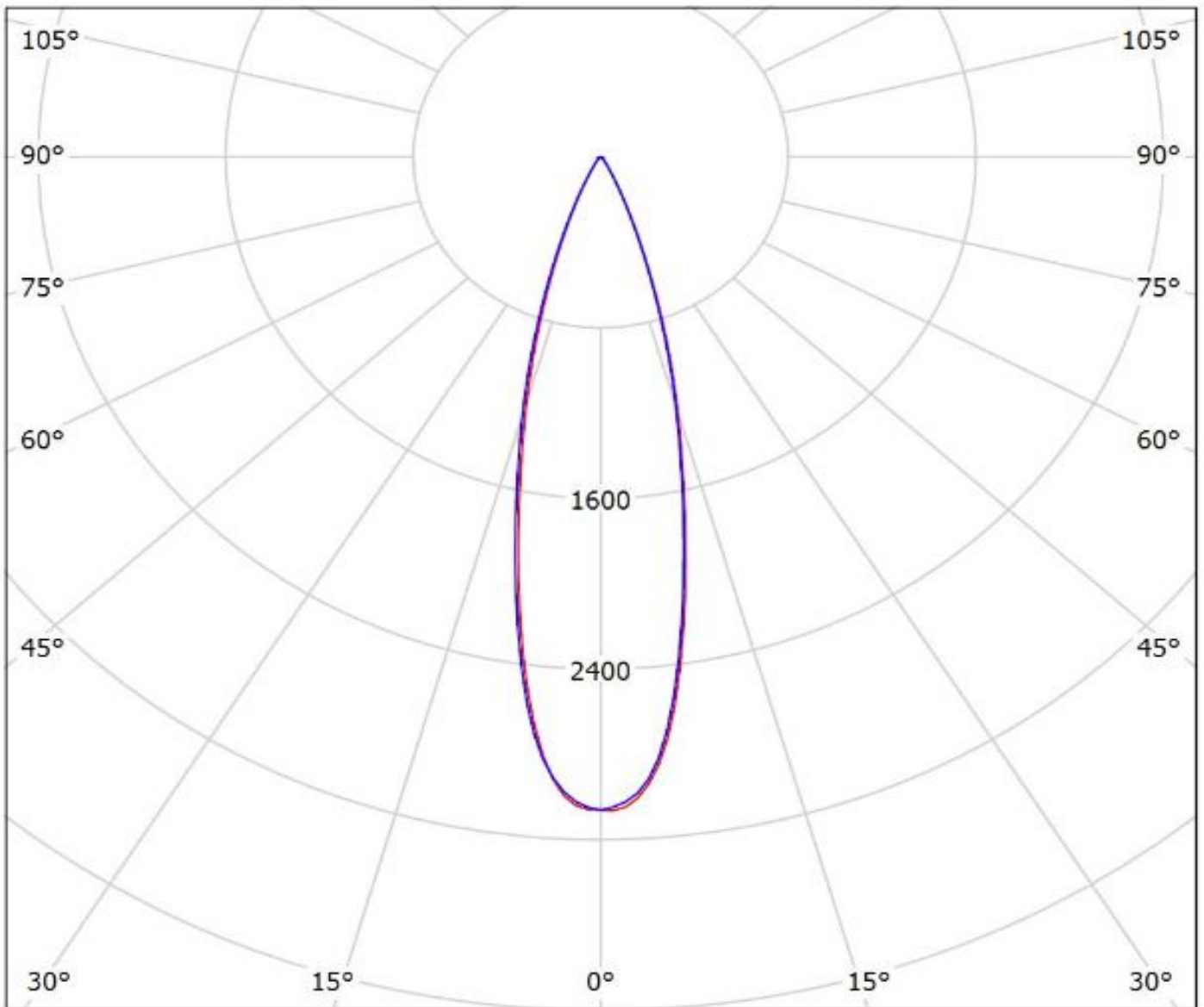


cd/klm

— C0 - C180 — C90 - C270

$\eta = 88\%$

Luminaire: Ledil Oy C15800\_MOLLY-S\_+\_TE\_2213194-  
1\_Z50\_Optical\_Clip\_Type1\_TRIDONIC\_SLE\_G6\_LES19\_H\_SIMULATED  
Lamps: 1 x TRIDONIC SLE G6 LES19 H



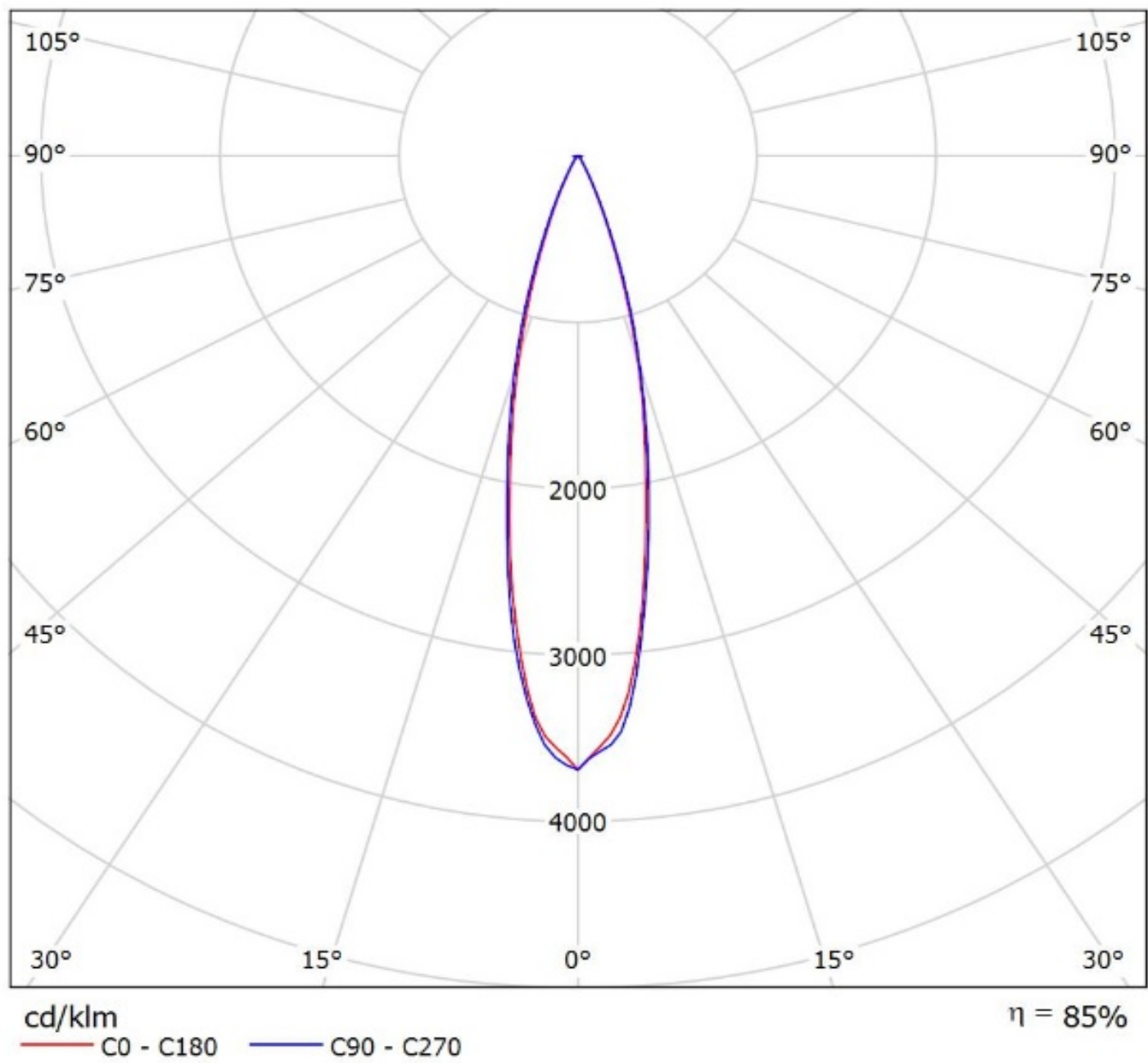
cd/klm

— C0 - C180 — C90 - C270

$\eta = 80\%$



Luminaire: Ledil Oy C15800\_MOLLY-S\_(SLE\_G6\_LES17\_H)\_(2213194-1)\_SIMULATED  
Lamps: 1 x Tridonic SLE G6 LES17 H + Tyco Electronics 2213194-1 optic clip





**NOTE: The typical divergence will be changed by different color, chip size and chip position tolerance. The typical total divergence is the full angle measured where the luminous intensity is half of the peak value.**

### **GENERAL INFORMATION**

- Product series especially designed & optimized for series of LEDs.
- Special care taken to make light distribution as uniform as possible.

Note! Due to use of high power COB's with this product, special attention to proper thermal design is highly recommended. LEDiL has no liability for direct, indirect or consecutive damages arising from the LEDiL products being used outside of the recommended temperature range.