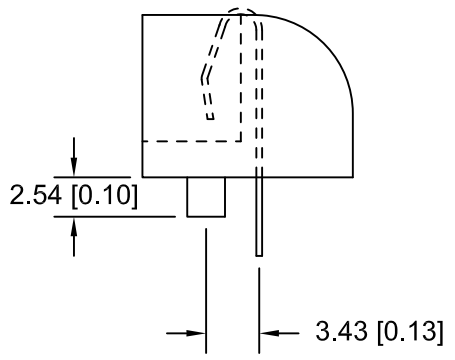
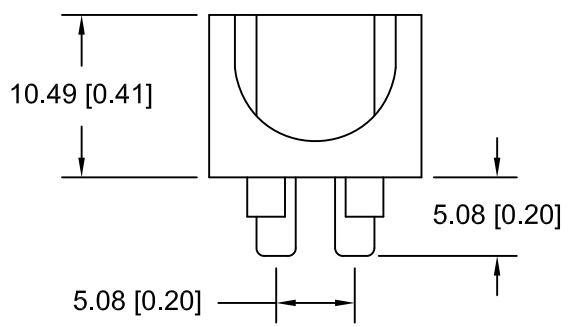
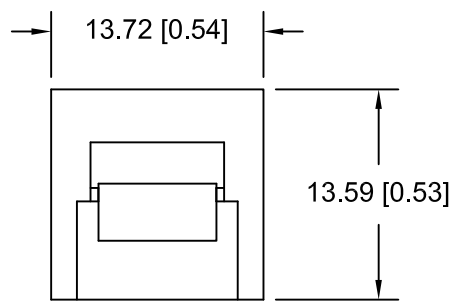



Date	SYM	REVISION RECORD	AUTH	DR.	CK.



SPECIFICATION:

- HOUSING : BLACK POLYPROPYLENE
 FLAMMABILITY RATING -UL94-HB, UL FILE NO. E216959
 TEMPERATURE RANGE: -10°C to +100°C
 CONTACTS: NICKLE PLATED STAINLESS STEEL
 ROHS COMPLIANT

Tolerance (Inches)	 Memory Protection Devices, Inc 200 Broad Hollow Road, Farmingdale, New York 11735		
Decimal ±.5 (.020)		Scale	Drawn By B.S. Approved By T.B.
Fractional ±.8 (.030)	Title AAA BATTERY HOLDER; NEGATIVE SIDE		
Angular ± 3°	Date 05/13/11	Drawing Number CB-AAA-PC-NEG	