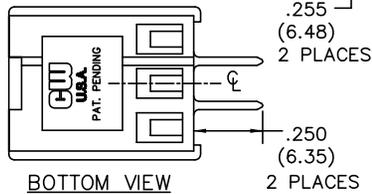
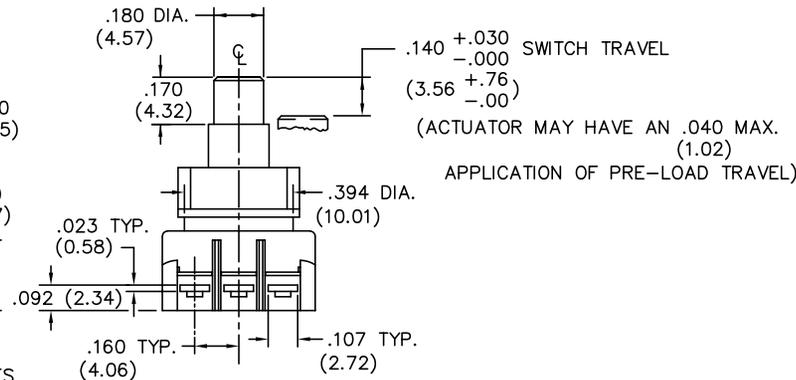
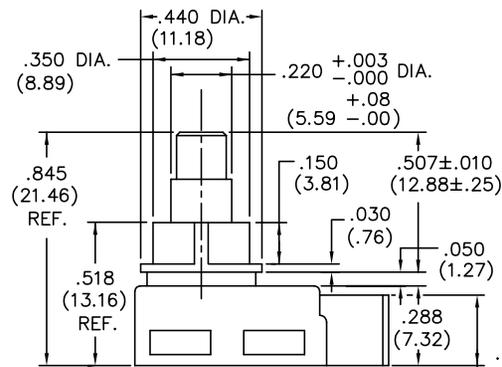
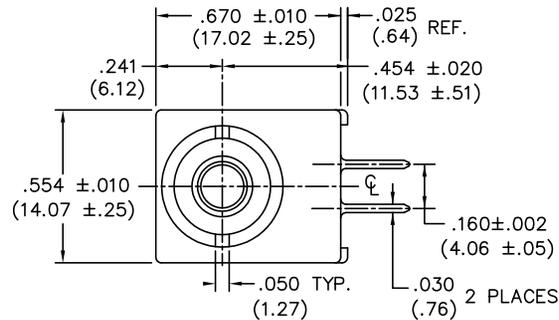


DIMENSIONS IN INCHES (MILLIMETERS)  
DO NOT SCALE DRAWING .....

Dwg. No.  
GC-536A-0114



TERMINATION - Switch mates with CW wire crimp terminal part no. G-20-225. Terminals insert & lock into slots shown on base of switch. Terminal can accept single 18 AWG. or Double Terminated 24 AWG. Wire Leads.

E  
D  
C  
B  
A

1 2 3 4 5 6 7 8 9 10

B-FORMAT 2002  
REVISIONS

THIS INFORMATION IS CONFIDENTIAL AND PROPRIETARY TO CW INDUSTRIES INCORPORATED AND ITS AFFILIATES. IT MAY NOT BE DISCLOSED TO ANYONE, OTHER THAN CW INDUSTRIES PERSONNEL, WITHOUT WRITTEN AUTHORIZATION FROM CW INDUSTRIES INCORPORATED, SOUTHAMPTON, PENNSYLVANIA USA.

**CW INDUSTRIES**  
Southampton, Pa. 18966

TOLERANCES UNLESS OTHERWISE SPECIFIED

2 Place Decimal ±.010	METRIC
3 Place Decimal ±.005	1 Place Dec. ±.25mm
Angles ..... ±1°	2 Place Dec. ±.13mm

Made for: CW IND.  
Drawn by: DGW 11-17-2010  
Checked by: G. Guild 11-18-10  
Approval: EJP 11/19/10

Title: SWITCH ASSEMBLY  
PUSH ON-PUSH OFF  
S.P.- D.T.  
W/BARRIERS

Division: SWITCH

Dwg. No.  
GC-536A-0114