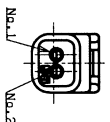
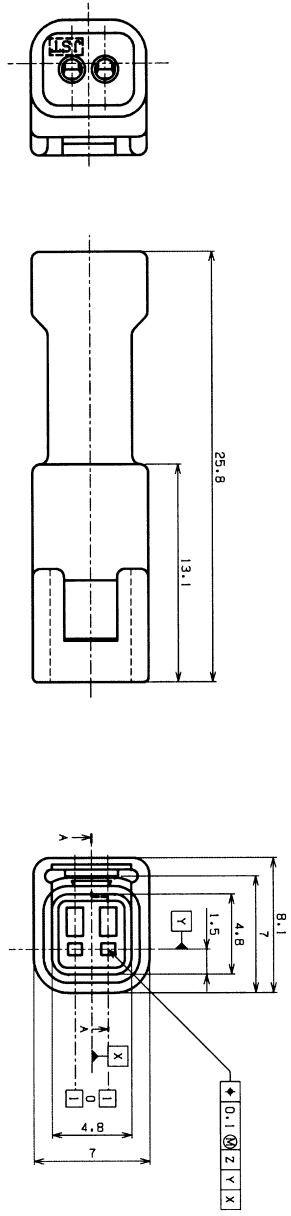
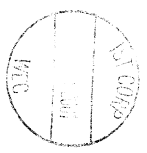
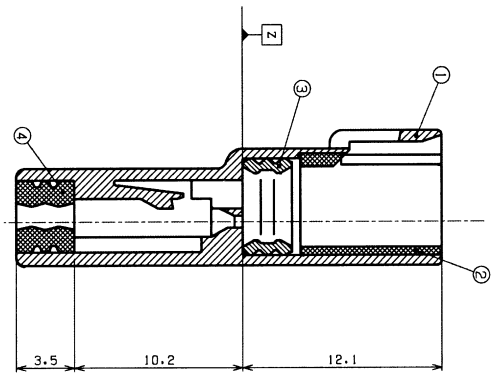
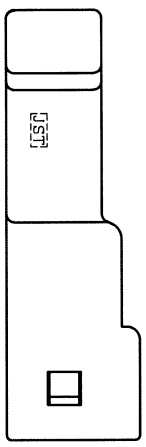


1 2 3 4 5 6 7 8 9 10 11 12

REV.	DESCRIPTION	DATE	DESIGNED
-2	Drawing renewal	Dec.26, 2000	K. Yuasa



NOTE
 1. Unless otherwise specified, tolerances are
 ISO-D-10-2
 2. Location of circuit number.



4	Seal Rubber Plate	SI (Light Blue)	
3	Seal Ring	SI (Blue)	
2	Seal Ring Holder	PBT (Yellow)	
1	TAB HOUSING	PBT (Natural)	UL94V-0

No.	PART NAME	MATERIAL	CUSTOMER	REMARKS
1	TAB HOUSING	PBT (Natural)	UL94V-0	

APPROVED	CHECKED	DESIGNED	DRAWN

SIZE	UNIT	SCALE	PROJECTION	DATE
A2	METRIC	10:1	1st Angle	DEC.26, 2000

A. Title	K. Yuasa	N. Murata
----------	----------	-----------

BRIDGE PART No.	02T-JMPF-VSLB-S
DRYING No.	KRD-25215-2
RD	80

THIS DRAWING CONTAINS INFORMATION THAT IS PROPRIETARY TO J.S.T. AND SHOULD NOT BE USED WITHOUT WRITTEN PERMISSION.