



# PRODUCT DATASHEET

## Lena series

last update 23/2/2014

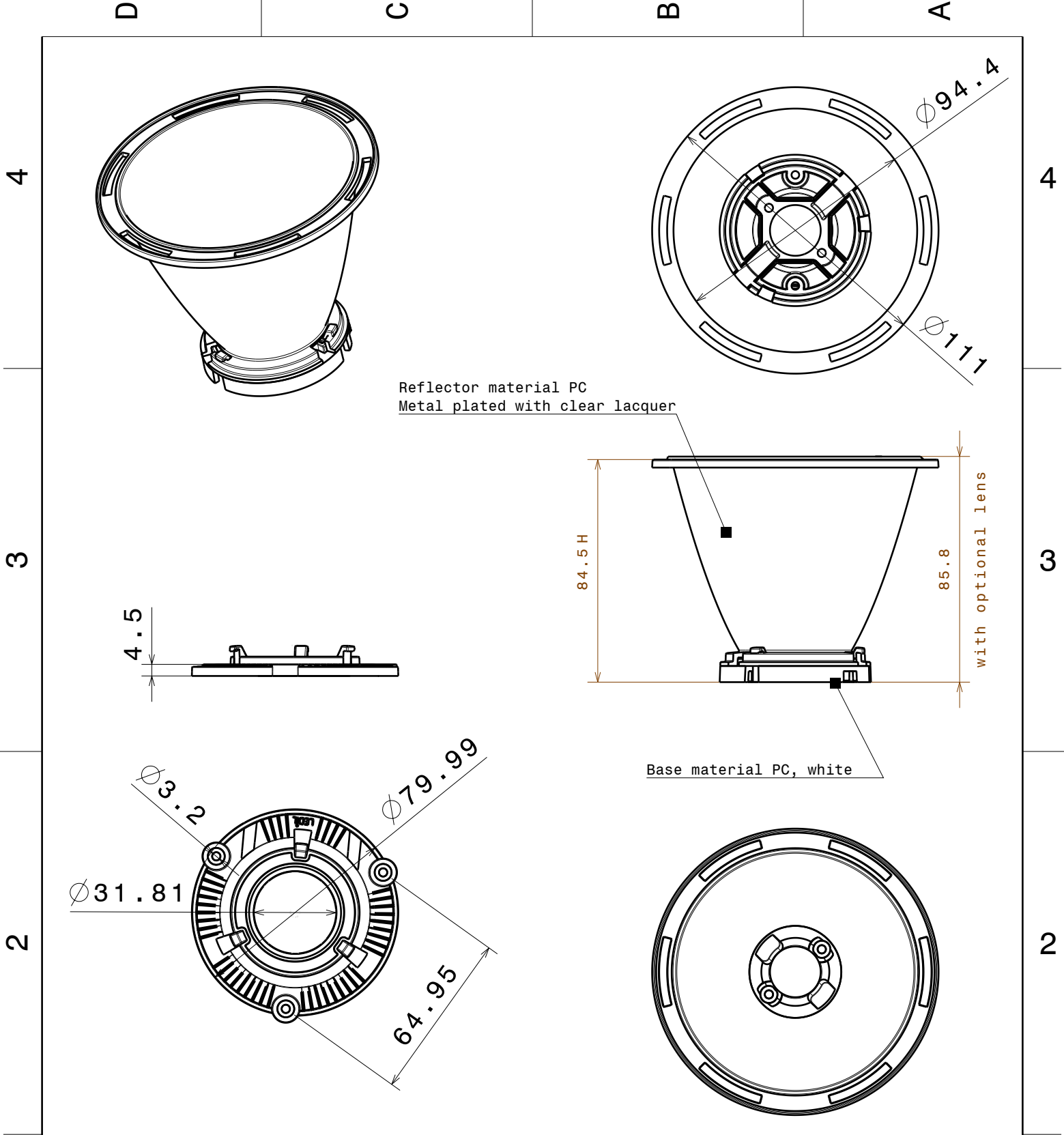
### DETAILS

<b>Product Number</b>	CN12305_LENA-M-DL
<b>Family</b>	Lena
<b>Type</b>	RefPack
<b>Color</b>	metal
<b>Diameter</b>	111 mm
<b>Height</b>	85,6 mm
<b>Style</b>	round
<b>Optic Material</b>	PC
<b>Holder Material</b>	
<b>Fastening</b>	screw
<b>Status</b>	production ready
<b>ROHS Compliant</b>	Yes
<b>Date Updated</b>	23/02/2014

### OPTICAL PROPERTIES

LED	Viewing Angle	Light Beam	Efficiency	cd/lm	Connector
BXRA RS	29 deg	Medium Dif...	79 %	-	-





Reflector material PC  
Metal plated with clear lacquer

Base material PC, white

This drawing is our property.  
It can't be reproduced  
or communicated without  
our written agreement.



Ledil Oy  
Salorankatu 10  
FIN-24240 SALO  
Finland

DRAWING TITLE

Datasheet Lena-BXRA-RS-assembly

DRAWN BY ah	DATE 10.1.2012	DRAWING TITLE			REV 2
	CHECKED BY pl	DATE 10.1.2012	SIZE A4	DRAWING NUMBER	
	DESIGNED BY pl	DATE 01.04.2011	SCALE 1:2	WEIGHT (g)	

**NOTE: The typical divergence will be changed by different color, chip size and chip position tolerance. The typical total divergence is the full angle measured where the luminous intensity is half of the peak value.**