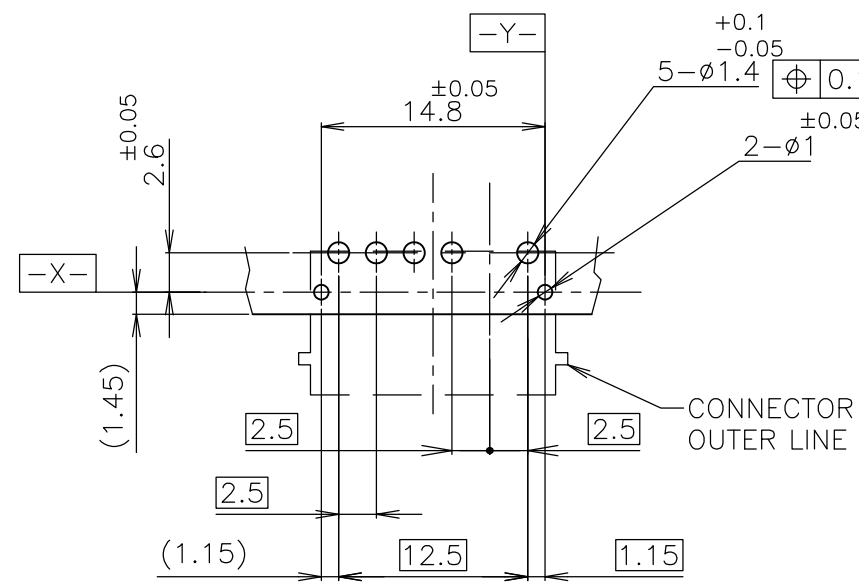
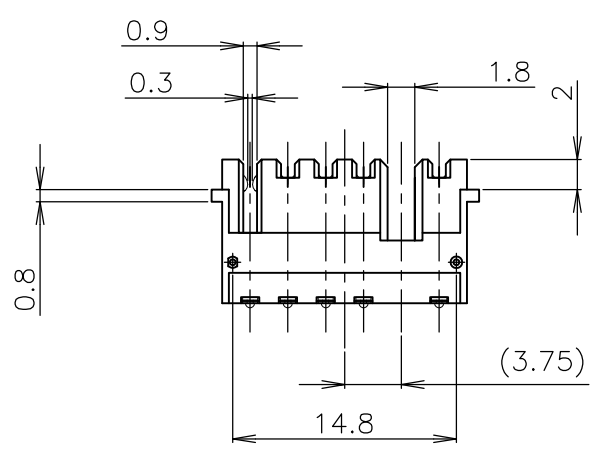
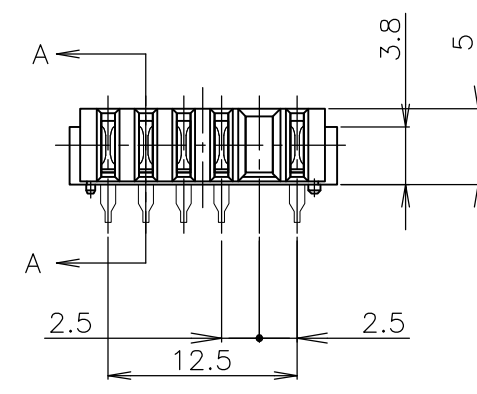
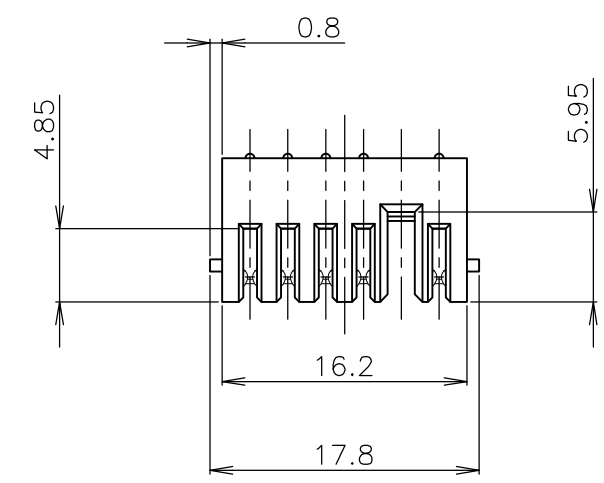
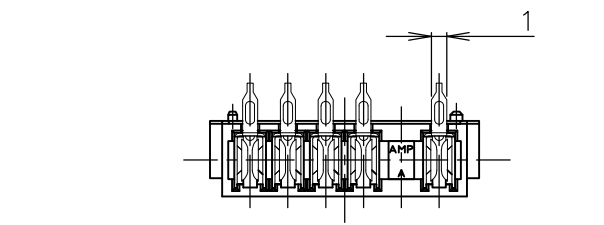
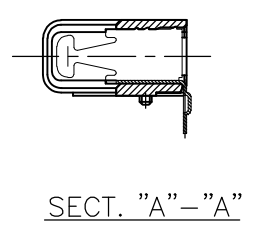
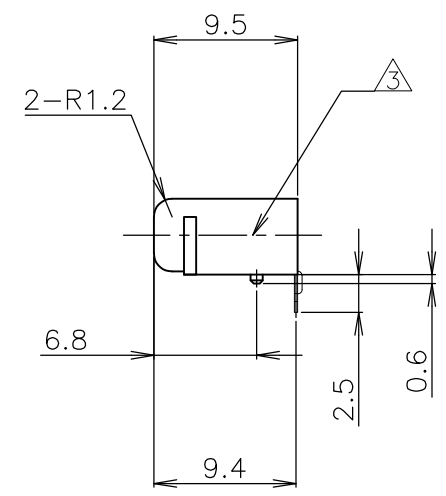


THIS DRAWING IS UNPUBLISHED. RELEASED FOR PUBLICATION 2001.
 © COPYRIGHT 2001 Tyco Electronics Japan G.K. ALL RIGHTS RESERVED.

LOC	DIST	REVISIONS					
		P	LTR	DESCRIPTION	DATE	DWN	APVD
J			C1	REVISED (ECR-14-017817)	24FEB2015	E.L	V.P
			-	-	-	-	-
			-	-	-	-	-
			-	-	-	-	-



基板取付推奨寸法
 RECOMMENDED P.C.BOARD LAYOUT
 P.C.BOARD THK 0.8~1.2
 (VIEW FROM CONNECTOR MOUNTING SIDE)



注記

- ① 材料 ハウジング：熱可塑性樹脂 UL94V-0
色；黒
コンタクト：銅合金
- ② 仕上げ コンタクト：Ni 下地めっき
半田付け部 Sn めっき（半光沢）
接触部 Au めっき
- ③ 指示する位置にレーザーマーキング有り

NOTES

- ① MATERIAL HOUSING : THERMOPLASTIC RESIN, UL94V-0
COLOR ; BLACK
CONTACT : COPPER ALLOY
- ② FINISH CONTACT : Ni ALL OVER UNDER PL
Sn PLATE(MATTE) AT LEAD AREA
Au PL. AT CONTACT AREA
- ③ LASER MARKING TO THIS POSITION

1473971-2 :AS SHOW

THIS DRAWING IS A CONTROLLED DOCUMENT.		DWN M.IWASAKI 07AUG01	TE Connectivity	
		CHK T.KUSUHARA 07AUG01		
		APVD I.ENOMOTO 07AUG01	NAME	
DIMENSIONS: mm		PRODUCT SPEC 108-5783	RECEPTACLE ASSEMBLY FOR 2.5mm PITCH 2ND BATTERY CONNECTOR	
TOLERANCES UNLESS OTHERWISE SPECIFIED:		APPLICATION SPEC	SIZE	CAGE CODE
0 PLC ± 0.3	1 PLC ± 0.3	WEIGHT	A3	00779
2 PLC ± 0.3	3 PLC ± 0.3	DRAWING NO		C-1473971
4 PLC ± 0.3	ANGLES ± 3°	RESTRICTED TO		-
MATERIAL ①	FINISH ②	CUSTOMER DRAWING		SCALE 2:1
		SHEET 1 OF 1		REV C1