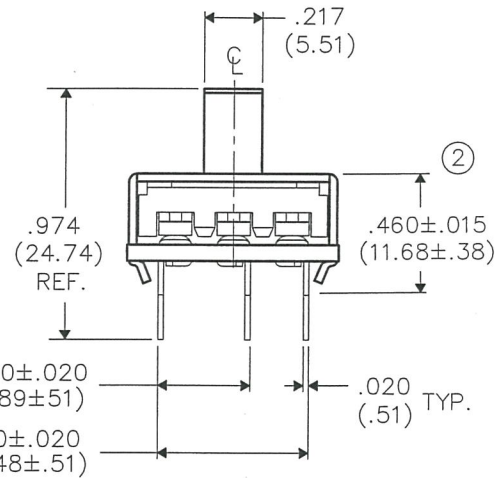
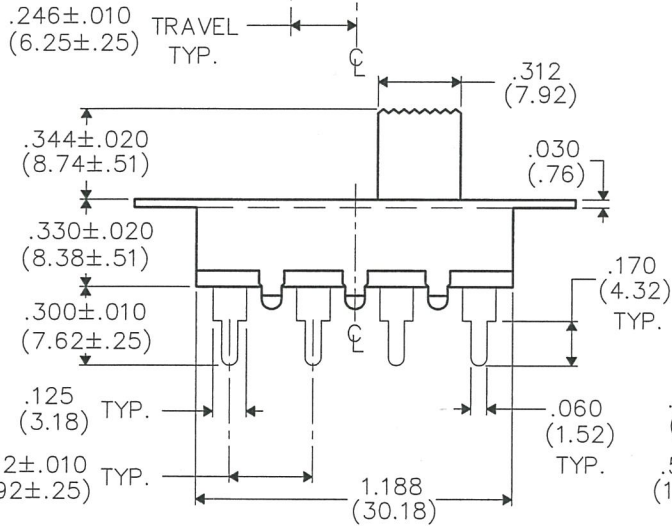
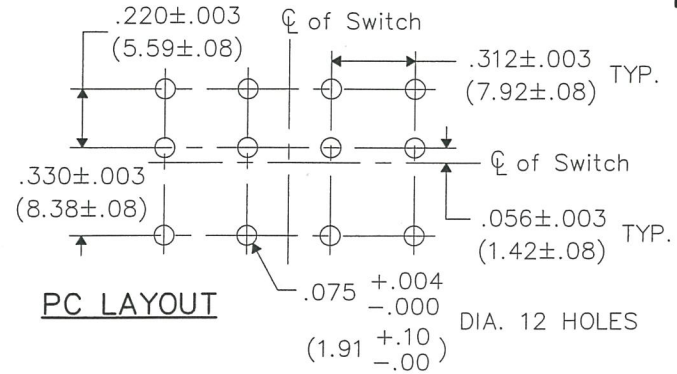
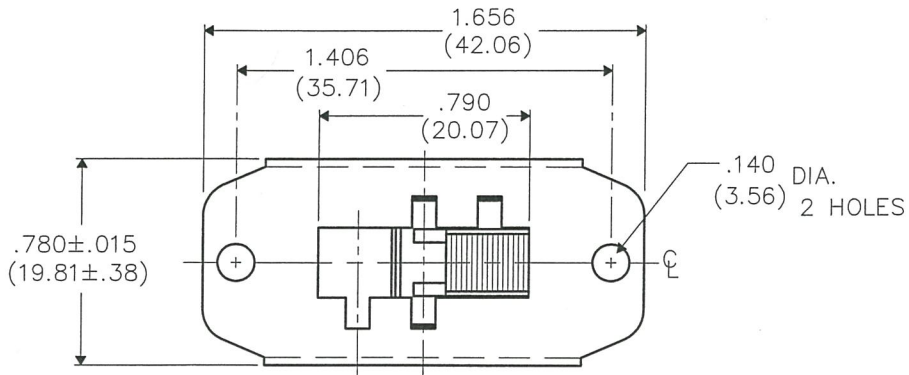


DIMENSIONS IN INCHES (MILLIMETERS)
DO NOT SCALE DRAWING

Dwg. No.
G-368S-0001



1 2 3 4 5 6 7 8 9 10

B-FORMAT 2002	REVISIONS	1	UPDATED & REDRAWN. DGW 3-27-2003
		2	CORRECTED .460±.015 DIMENSION LINE LOCATION IN SIDE VIEW. DGW 6-22-2012

G.G. JUN 2 2013

ATTENTION
THIS DRAWING AND ITS ATTACHMENT, IF ANY, ARE
PROPRIETARY TO CW INDUSTRIES AND DESCRIBE
DESIGNS THAT ARE CONFIDENTIAL AND MUST NOT
BE DISCLOSED UNLESS AUTHORIZED, IN WRITING,
BY AN OFFICER OF CW INDUSTRIES.....

CW INDUSTRIES Southampton, Pa. 18966	
TOLERANCES UNLESS OTHERWISE SPECIFIED	
2 Place Decimal ±.010	METRIC
3 Place Decimal ±.005	1 Place Dec. ±.25mm
Angles ±1'	2 Place Dec. ±.13mm
Made for: CW IND.	
Drawn by: DGW 3-27-2003	
Checked by: G.Guld 4-8-03	
Approval: B.F. Long 4-8-03	

Title:	SWIDGET ASSEMBLY 3P. 3P.
Division:	SWITCH
Dwg. No.	G-368S-0001

MASTER