

MODEL: CMS-26418N | **DESCRIPTION:** SPEAKER

FEATURES

- miniature speaker
- 520 Hz resonant frequency
- Nd-Fe-B magnet


SPECIFICATIONS

parameter	conditions/description	min	typ	max	units
input power	maximum power: IEC-60268-5, filter 60s on/120s off, 10 cycles at room temp		0.2	0.3	W
impedance	at 1.0 kHz, 1.0 V	6.8	8	9.2	Ω
resonant frequency (Fo)	at 1.0 V	416	520	624	Hz
frequency response	output SPL \pm 10 dB	Fo		6,500	Hz
sound pressure level	at 0.2 W, 0.1 m ave, at 1.0, 1.2, 1.5, 2.0 kHz	89	92	95	dB
	at 1 W, 1 m ave, at 1.0, 1.2, 1.5, 2.0 kHz	76	79	82	dB
distortion	at 1.0 kHz, 0.2 W			10	%
buzz, rattle, etc.	must be normal at sine wave between Fo \sim 6,500 Hz		1.26		V
dimensions	\varnothing 26.0 x 4.1				mm
magnet	Nd-Fe-B (\varnothing 9.5 x 1.5 mm)				
material	metal				
cone material	mylar				
terminal	solder pads				
weight			4.8		g
operating temperature		-20		55	$^{\circ}$ C
storage temperature		-20		55	$^{\circ}$ C
RoHS	2011/65/EU				

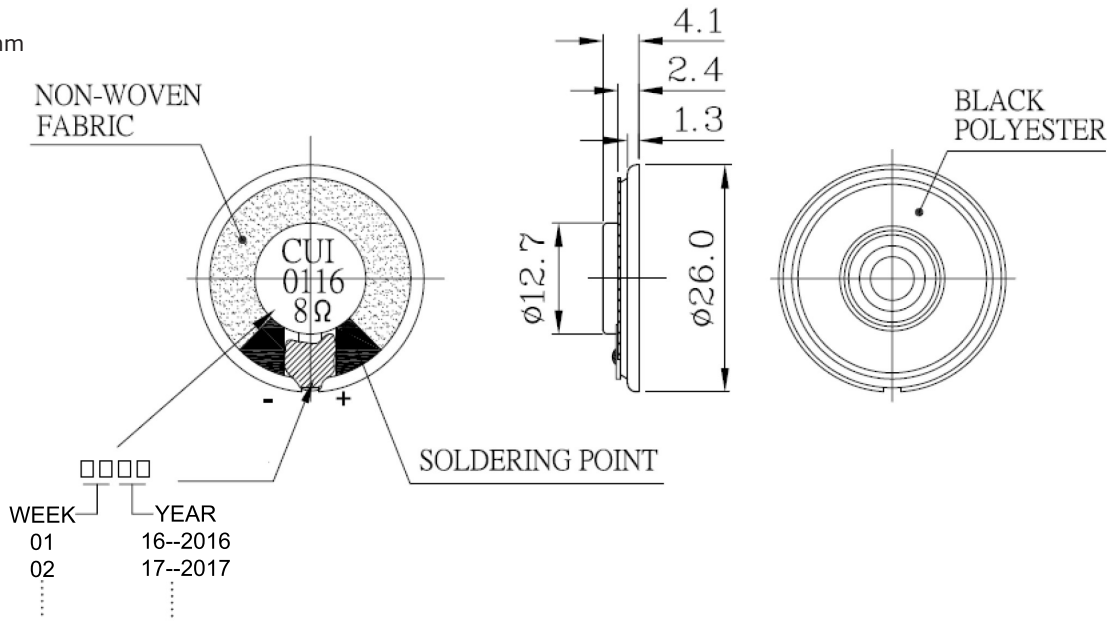
Notes: 1. All specifications measured at 5 \sim 35 $^{\circ}$ C, humidity at 45 \sim 85%, under 86 \sim 106 kPa pressure, unless otherwise noted.

SOLDERABILITY

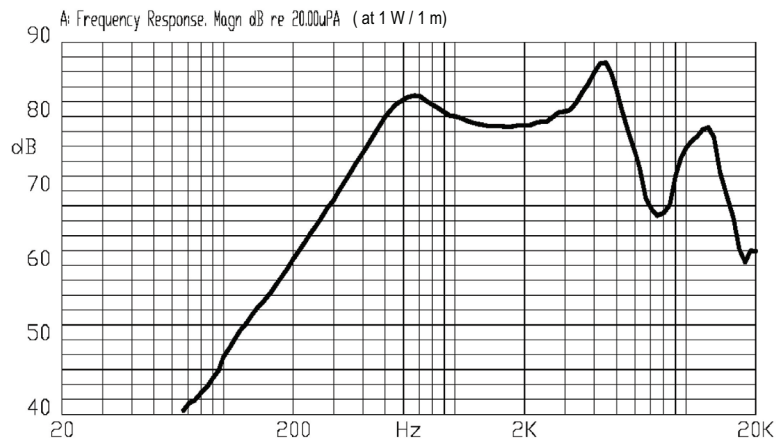
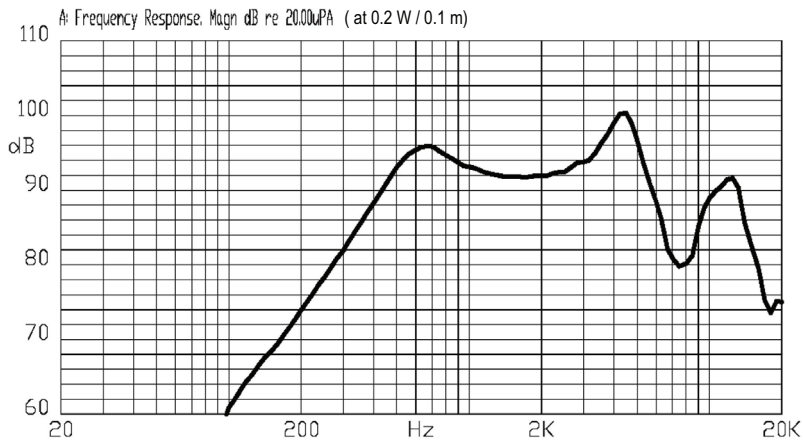
parameter	conditions/description	min	typ	max	units
hand soldering	for 3 \pm 1 seconds	360	370	380	$^{\circ}$ C

MECHANICAL DRAWING

units: mm
tolerance: ±0.3 mm



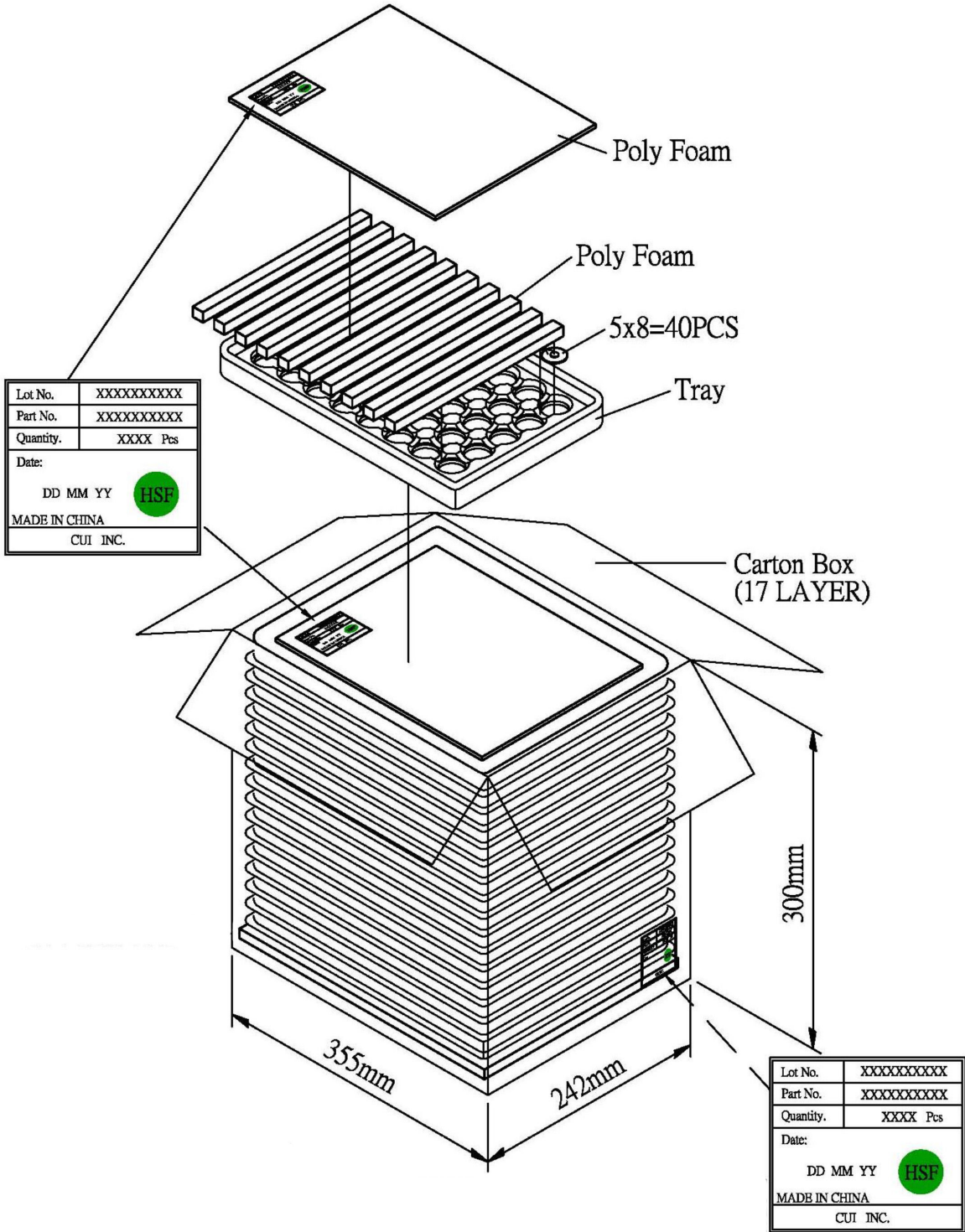
FREQUENCY RESPONSE CURVES



PACKAGING

units: mm

Tray Size: 350 x 235 x 25 mm
Carton Size: 355 x 242 x 300 mm
Tray QTY: 40 pcs per tray
Carton QTY: 680 pcs per carton



REVISION HISTORY

rev.	description	date
1.0	initial release	06/24/2016

The revision history provided is for informational purposes only and is believed to be accurate.



CUI INC[®]

Headquarters
20050 SW 112th Ave.
Tualatin, OR 97062
800.275.4899

Fax 503.612.2383
cui.com
techsupport@cui.com

CUI offers a one (1) year limited warranty. Complete warranty information is listed on our website.

CUI reserves the right to make changes to the product at any time without notice. Information provided by CUI is believed to be accurate and reliable. However, no responsibility is assumed by CUI for its use, nor for any infringements of patents or other rights of third parties which may result from its use.

CUI products are not authorized or warranted for use as critical components in equipment that requires an extremely high level of reliability. A critical component is any component of a life support device or system whose failure to perform can be reasonably expected to cause the failure of the life support device or system, or to affect its safety or effectiveness.