



### Features:

- ◇ Display hold function standard
- ◇ 3½ digits with 0.56" Red or Green LED
- ◇ Window mount with optional bezel
- ◇ User selectable decimal points
- ◇ Optional NEMA case (see DK610 for details)

### Specifications:

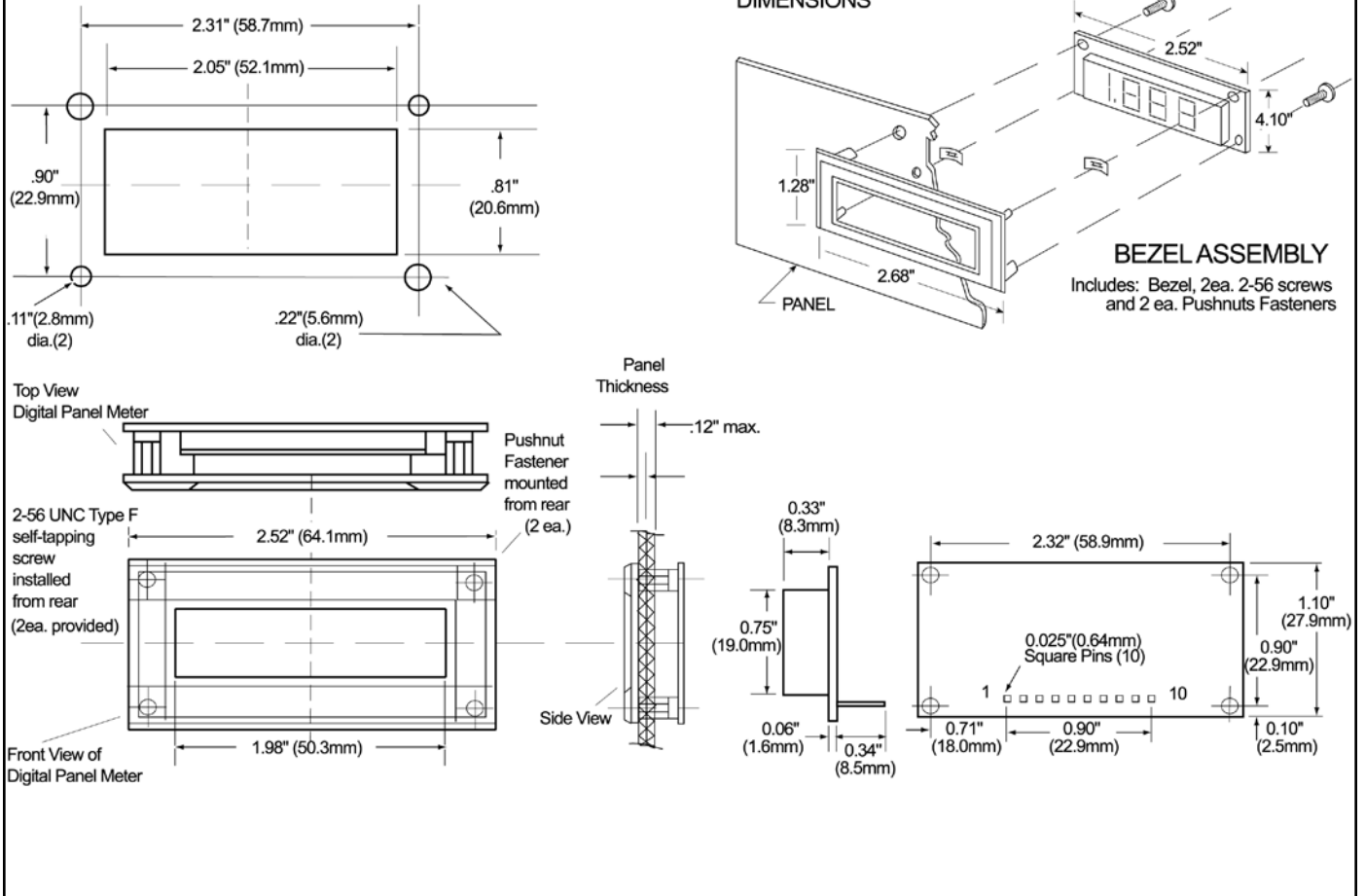
<b>Display:</b>	Digits:	3 ½ (±1999 count)
	Type:	7- segment LED (red or green)
	Digit Height:	.56 in (14.2 mm)
	Polarity Indication:	automatic "-" for neg input
	Decimal Point:	3 position selectable
	Overrange:	three lower order digits blank for inputs >1999 & < -1999
	<b>Signal Inputs:</b>	Configuration:
Full-Scale Input:		±200 mV, ±2 V, ±20 V
Input Offset Adjustment:		auto zero
Input Impedance:		>100 MΩ (±200 mV), -1 MΩ (other ranges)
Common Mode Range:		±1 VDC
Common Mode Rejection:		>86 dB
Protection:		±350 VDC (±100 VDC for 200 mV range)
Input Bias Current:		1 pA typical, 100 pA max
Control Inputs:		decimal point select, hold, span adjust trimpot
<b>Performance:</b>		Sampling Rate:
	Accuracy:	± (0.1% + 2 counts) typ ±(0.2% + 2 counts) max
	Warmup, typical:	10 min
	Temperature Drift, typical:	100 ppm / °C
<b>Power Supply:</b>	Supply Voltage:	+5 VDC ±5%
	Supply Current, typical:	200 mA
<b>Environmental:</b>	Operating Temperature:	0 to 50°C
	Storage Temperature:	-10 to 60°C
	Relative Humidity:	0 to 95% non-condensing
<b>Physical:</b>	Package Style:	window mount
	Dimensions:	2.52 x 1.10 x .73
	Panel Cutout:	2.05 x .81
	Weight:	0.7 oz (20 g)
	Connector:	J1C-10 or C10-5 optional
	Connection:	10 pin
Bezel:	optional	

### Ordering Information:

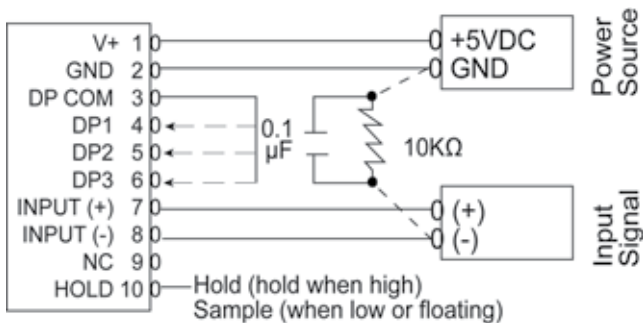
PART NUMBER	METER COLOR	METER POWER
DK601.....	GREEN .....	200mV DC
DK602.....	GREEN .....	2V DC
DK603.....	GREEN .....	20V DC
DK604.....	RED .....	200mV DC
DK605.....	RED .....	2VDC
DK606.....	RED .....	20VDC
DK610.....	.....	NEMA Case

LED-B.....	.....	Optional Bezel Mounting Kit
C10-5.....	.....	5" - 10 Pin Connector / Wire Assembly
J1C10.....	.....	12" - 10 Pin Connector / Wire Assembly
PW2-5.....	.....	Regulated 120V AC to 5V DC Power Supply
PW1.0.....	.....	24V AC to adjustable DC output
CPW1.5.....	.....	24V AC to adjustable DC output
CVC.....	.....	Calibrator

## Dimensions



## Wiring



Pin No.	Pin Name	Description
1	V+	+5V power supply
2	GND	Power supply ground
3	DP COM	Decimal point return
4	DP1	1XX.X (connect to DP COM to turn on)
5	DP2	1X.XX (connect to DP COM to turn on)
6	DP3	1.XXX (connect to DP COM to turn on)
7	INPUT(+)	Positive input signal
8	INPUT(-)	Negative input signal
9	NC	No connection required
10	HOLD	Hold last display